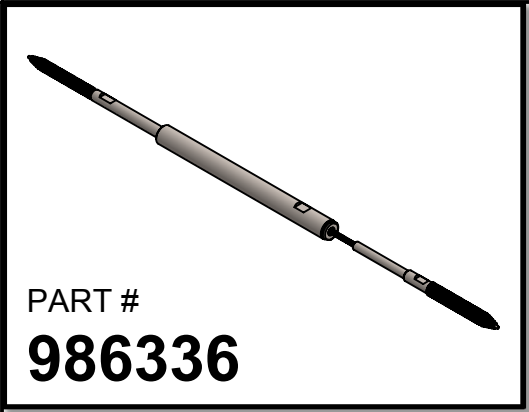
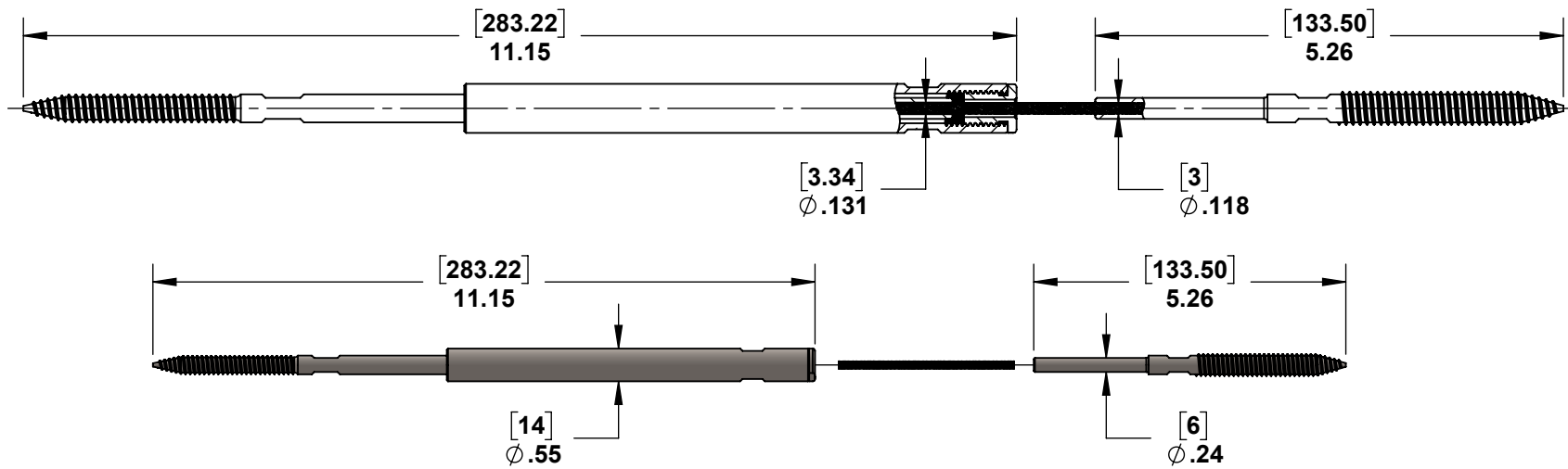
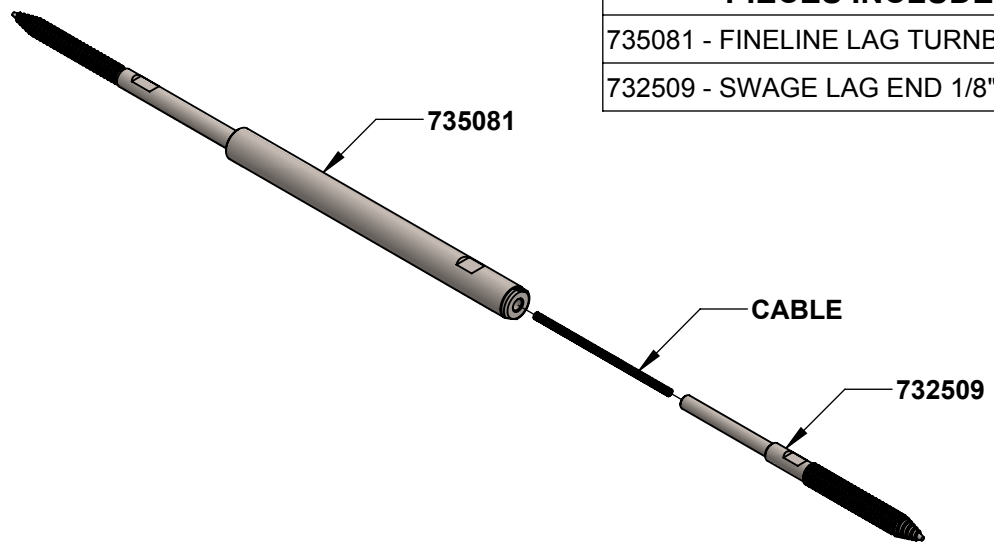


2

1



PIECES INCLUDED:	QTY.
735081 - FINELINE LAG TURNBUCKLE 1/8"	1
732509 - SWAGE LAG END 1/8"	1



A

A



PROPRIETARY AND CONFIDENTIAL

THE INFORMATION CONTAINED IN THIS DRAWING IS THE SOLE PROPERTY OF STAINLESS CABLE AND RAILING®. ANY REPRODUCTION IN PART OR AS A WHOLE WITHOUT THE WRITTEN PERMISSION OF STAINLESS CABLE AND RAILING® IS PROHIBITED.

NOTES: UNLESS OTHERWISE SPECIFIED		NAME	DATE
1. DUAL DIMENSIONS SHOWN - INCHES [MM].	DIMENSIONS ARE IN INCHES FRACTIONAL ± ANGULAR: MACH ± TWO PLACE DECIMAL ± THREE PLACE DECIMAL ±	DRAWN	SCR 02/20/18
2. MACHINED SURFACES TO BE 63uIN MAX.		ENG APPR.	
3. PART TO BE FREE OF BURRS AND SHARP EDGES.		MFG APPR.	
4. ALL MATERIAL TO BE CLEAN, DEGREASED AND FREE OF ALL IMPURITIES.		COMMENTS:	
5. ANY CHANGE MUST BE AUTHORIZED BY AN SC&R ENGINEER.			
MATERIAL			
FINISH			

TITLE: <b>FINELINE LAG ASSEMBLY - FOR 1/8" CABLE RAILING</b>		
SIZE <b>A</b>	DWG. NO. <b>986336</b>	REV <b>01</b>
SCALE: 1:2	WEIGHT:	SHEET 1 OF 1

2

1