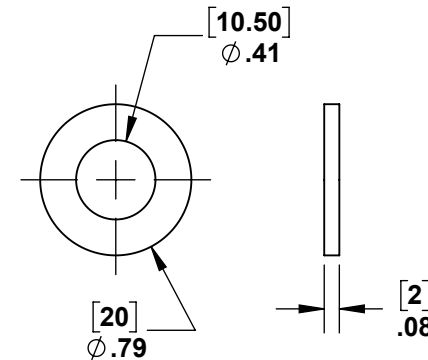
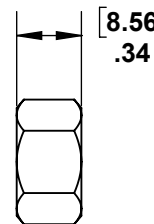
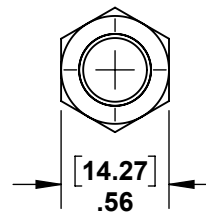
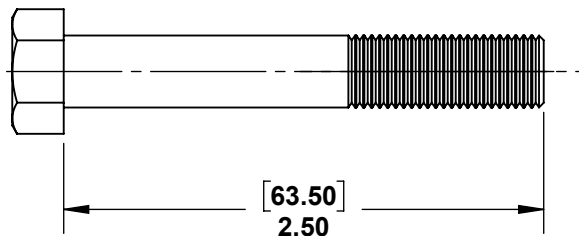
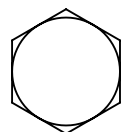
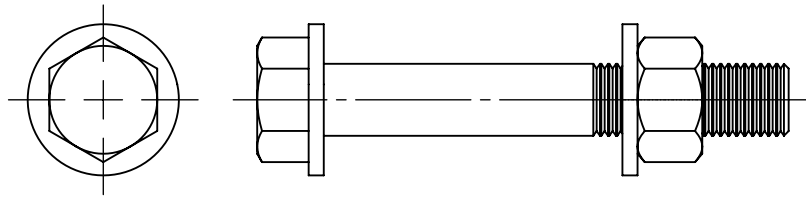
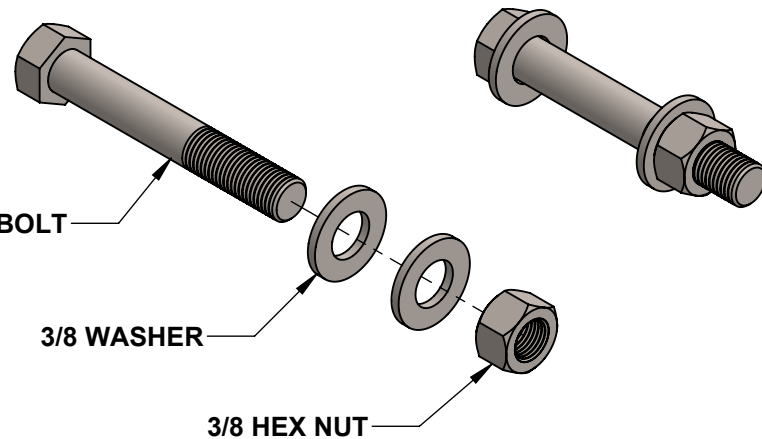


2

1

ITEM NO.	PART NUMBER	DESCRIPTION	QTY.
1	3/8 HEX BOLT	3/8 HEX BOLT	1
2	3/8 WASHER	3/8 WASHER	2
3	3/8 HEX NUT	3/8 HEX NUT	1



B

B

A

A



PROPRIETARY AND CONFIDENTIAL

THE INFORMATION CONTAINED IN THIS DRAWING IS THE SOLE PROPERTY OF STAINLESS CABLE AND RAILING®. ANY REPRODUCTION IN PART OR AS A WHOLE WITHOUT THE WRITTEN PERMISSION OF STAINLESS CABLE AND RAILING® IS PROHIBITED.

NOTES: UNLESS OTHERWISE SPECIFIED

- DIMENSIONS SHOWN - INCHES [MM].
- MACHINED SURFACES TO BE 63µIN MAX.
- PART TO BE FREE OF BURRS AND SHARP EDGES.
- ALL MATERIAL TO BE CLEAN, DEGREASED AND FREE OF ALL IMPURITIES.
- ANY CHANGE MUST BE AUTHORIZED BY AN SC&R ENGINEER.

DIMENSIONS ARE IN INCHES
 FRACTIONAL ±
 ANGULAR: MACH ±
 TWO PLACE DECIMAL ±
 THREE PLACE DECIMAL ±

MATERIAL

FINISH

DO NOT SCALE DRAWING

	NAME	DATE
DRAWN	SCR	10/23/17
ENG APPR.		
MFG APPR.		
COMMENTS:		

TITLE:
POST HEX BOLT ATTACHMENT HARDWARE

SIZE A	DWG. NO. 987487	REV 01
SCALE: 1:1	WEIGHT:	SHEET 1 OF 1

2

1