

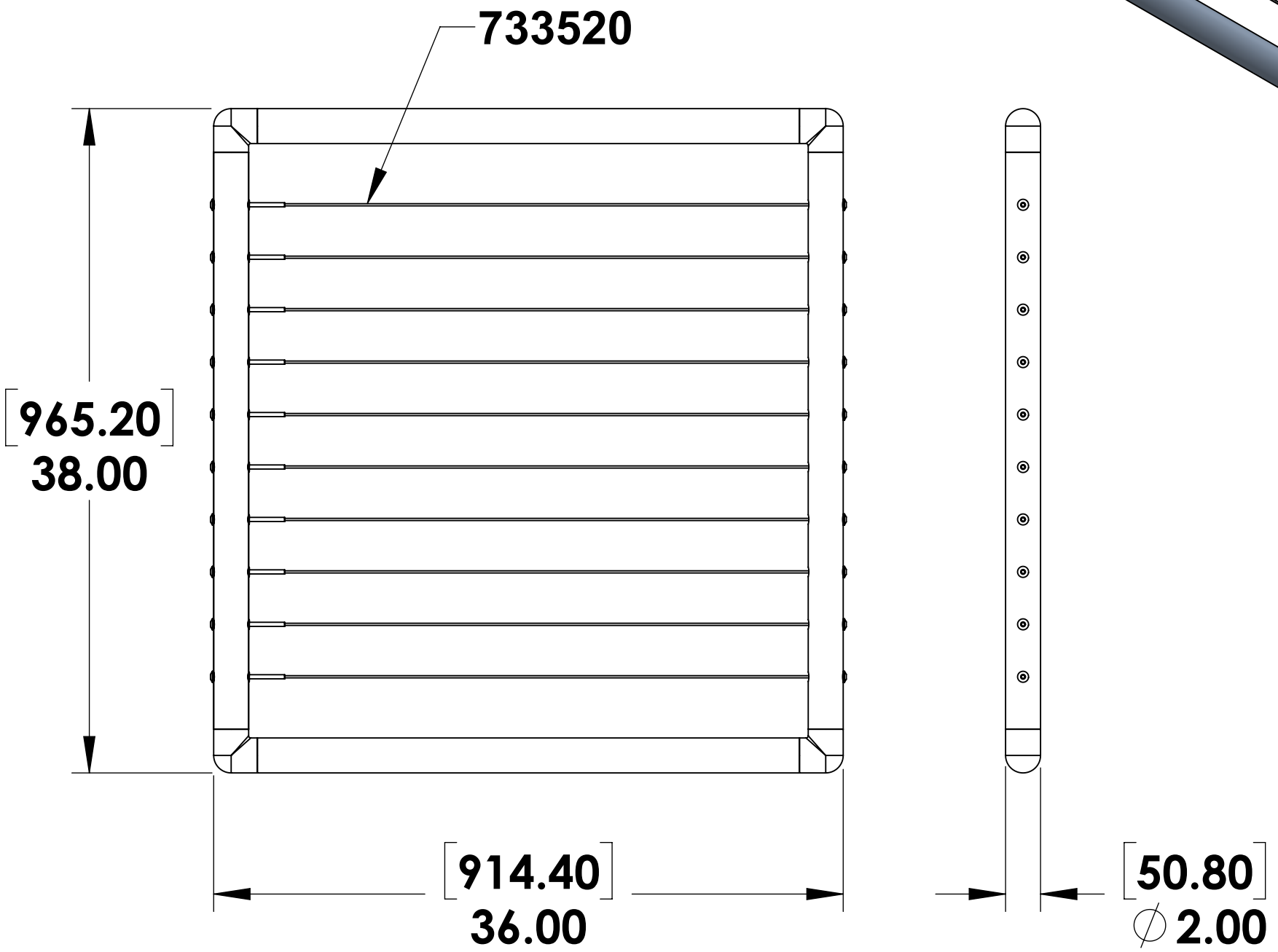
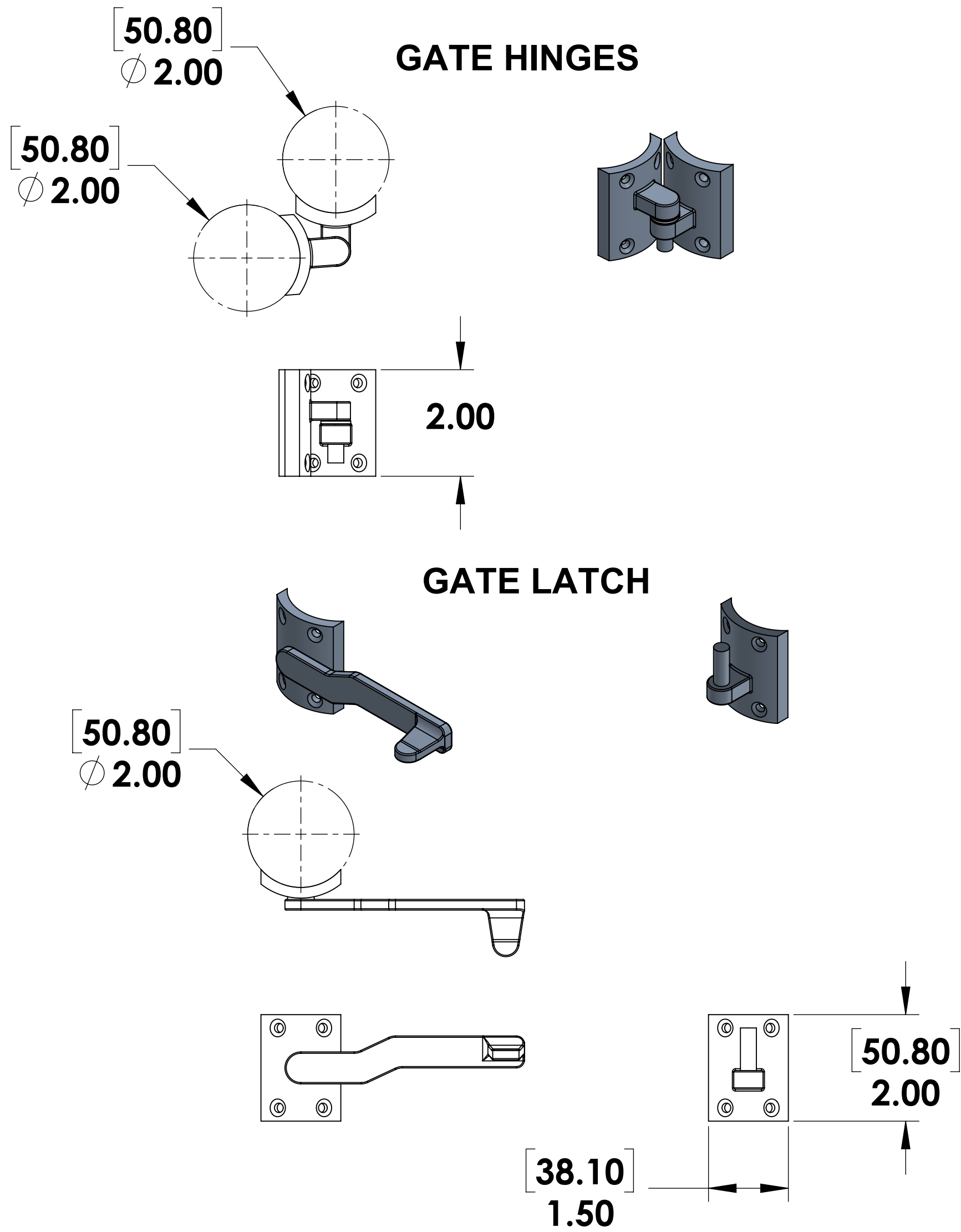
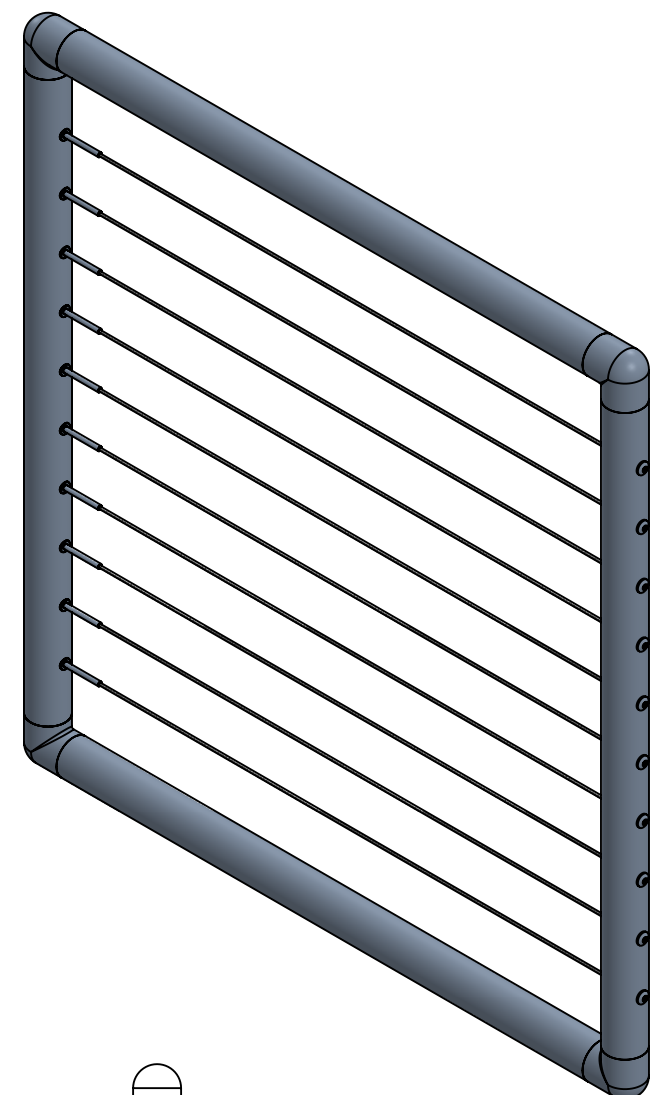
4

3

2

1

PART NUMBER	DESCRIPTION	QTY.
CUSTOM GATE FRAME	GATE FRAME SIZE VARIES	1
GATE LATCH	GATE LATCH	1
HINGES	GATE HINGES	2
733520	CABLE W/ FITTINGS	11 OR 13



<p>PROPRIETARY AND CONFIDENTIAL</p> <p><small>THE INFORMATION CONTAINED IN THIS DRAWING IS THE SOLE PROPERTY OF STAINLESS CABLE AND RAILING. ANY REPRODUCTION IN PART OR AS A WHOLE WITHOUT THE WRITTEN PERMISSION OF STAINLESS CABLE AND RAILING IS PROHIBITED.</small></p>	<p>NOTES: UNLESS OTHERWISE SPECIFIED</p> <p>1. DUAL DIMENSIONS SHOWN - INCHES [MM].</p> <p>2. MACHINED SURFACES TO BE 63µIN MAX.</p> <p>3. PART TO BE FREE OF BURRS AND SHARP EDGES.</p> <p>4. ALL MATERIAL TO BE CLEAN, DEGREASED AND FREE OF ALL IMPURITIES.</p> <p>5. ANY CHANGE MUST BE AUTHORIZED BY AN SC&R ENGINEER.</p>	<p>DIMENSIONS ARE IN INCHES</p> <p>FRACTIONAL: ±</p> <p>ANGULAR: MACH ±</p> <p>TWO PLACE DECIMAL: ±</p> <p>THREE PLACE DECIMAL: ±</p> <p>MATERIAL:</p> <p>FINISH:</p>	<p>DRAWN: SCR</p> <p>ENG APPR:</p> <p>MFG APPR:</p> <p>COMMENTS:</p>	<p>NAME: SCR</p> <p>DATE: 02/28/18</p>	<p>TITLE: CABLE RAILING GATE STAINLESS ROUND</p>
	<p>SIZE: C</p> <p>SCALE: 1:8</p>	<p>DWG. NO.: 988446</p> <p>WEIGHT:</p>	<p>REV: 01</p> <p>SHEET 1 OF 1</p>		

4

3

2

1