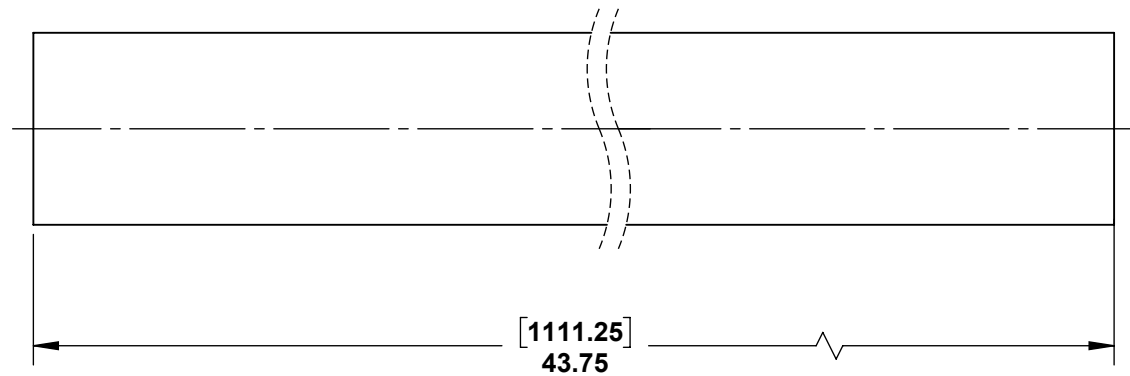
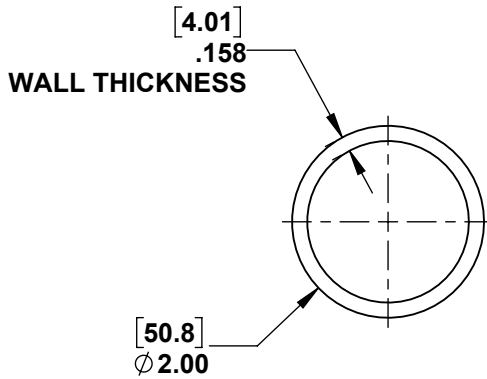
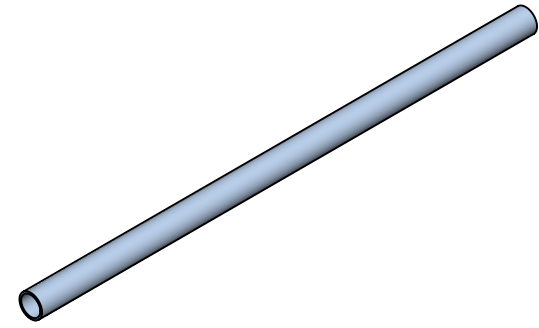


2

1

B

B



A

A



PROPRIETARY AND CONFIDENTIAL

THE INFORMATION CONTAINED IN THIS DRAWING IS THE SOLE PROPERTY OF STAINLESS CABLE AND RAILING®. ANY REPRODUCTION IN PART OR AS A WHOLE WITHOUT THE WRITTEN PERMISSION OF STAINLESS CABLE AND RAILING® IS PROHIBITED.

NOTES: UNLESS OTHERWISE SPECIFIED		NAME	DATE	TITLE: ROUND TERMINAL STAINLESS STEEL FASCIA MOUNT UNDRILLED 42" POST	
1. DIMENSIONS SHOWN - INCHES [MM]. 2. MACHINED SURFACES TO BE 63µIN MAX. 3. PART TO BE FREE OF BURRS AND SHARP EDGES. 4. ALL MATERIAL TO BE CLEAN, DEGREASED AND FREE OF ALL IMPURITIES. 5. ANY CHANGE MUST BE AUTHORIZED BY AN SC&R ENGINEER.	DIMENSIONS ARE IN INCHES	DRAWN	SCR	03/02/18	SIZE A DWG. NO. 988767 REV 01
	FRACTIONAL ±	ENG APPR.			
	ANGULAR: MACH ±	MFG APPR.			
	TWO PLACE DECIMAL ±	COMMENTS:			
	THREE PLACE DECIMAL ±	MATERIAL			
	316 SS				SCALE: 1:2
	FINISH				WEIGHT:
	DO NOT SCALE DRAWING				SHEET 1 OF 1

2

1