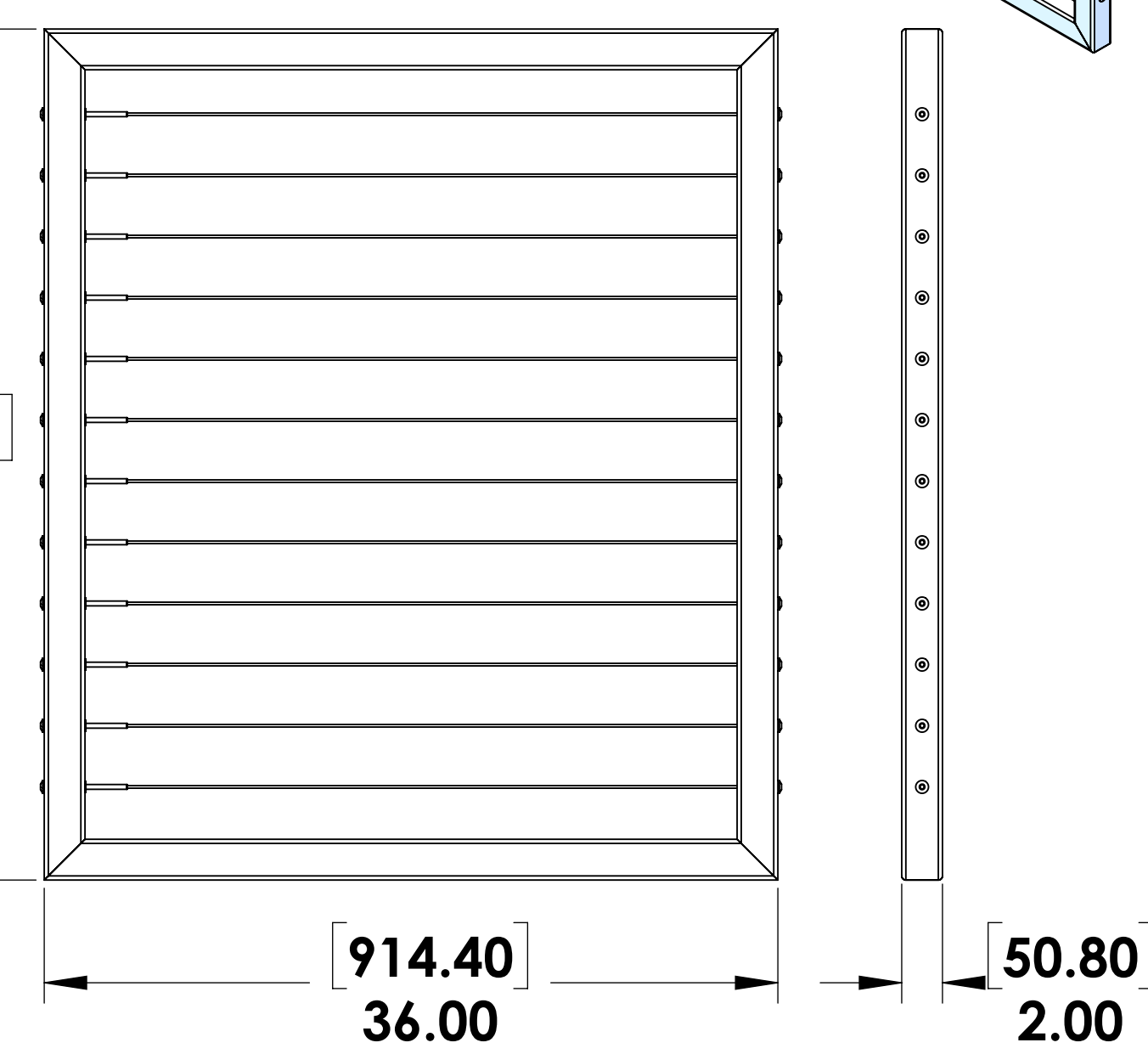
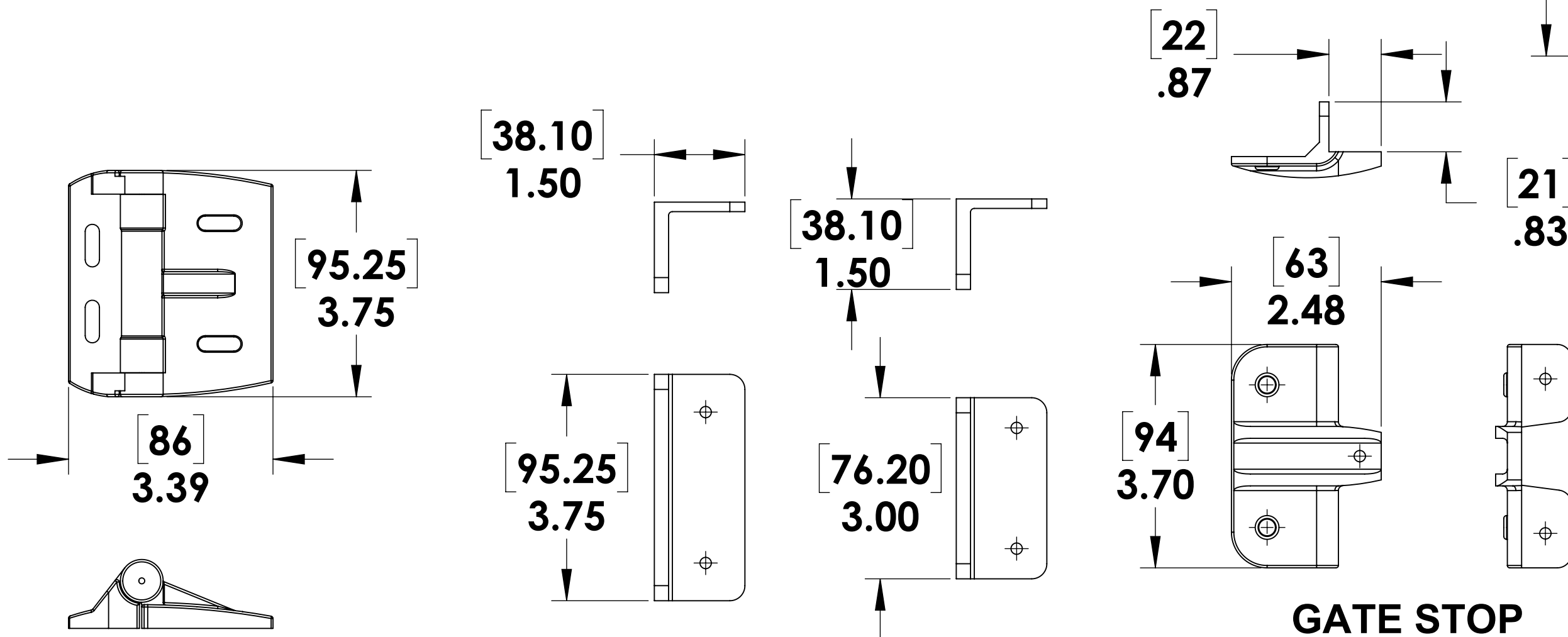
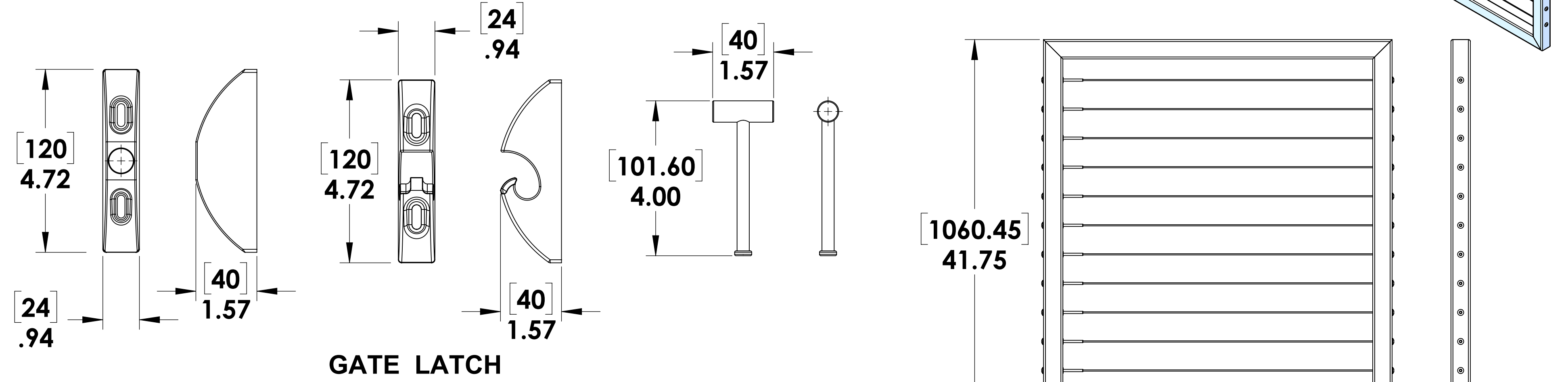
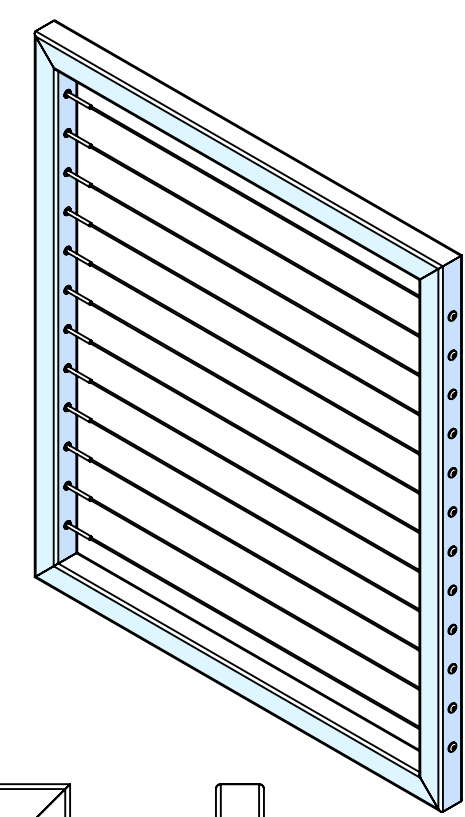


PART NUMBER	DESCRIPTION
CUSTOM GATE FRAME	GATE FRAME SIZE VARIES
GATE LATCH	GATE LATCH
GATE STOP	GATE STOP
HINGES	HINGES
CABLE	CABLE



GATE STOP



PROPRIETARY AND CONFIDENTIAL
 THE INFORMATION CONTAINED IN THIS DRAWING IS THE SOLE PROPERTY OF STAINLESS CABLE AND RAILING. ANY REPRODUCTION IN PART OR AS A WHOLE WITHOUT THE WRITTEN PERMISSION OF STAINLESS CABLE AND RAILING IS PROHIBITED.

NOTES: UNLESS OTHERWISE SPECIFIED

- DUAL DIMENSIONS SHOWN - INCHES (MM).
- MACHINED SURFACES TO BE 63µIN MAX.
- PART TO BE FREE OF BURRS AND SHARP EDGES.
- ALL MATERIAL TO BE CLEAN, DEGREASED AND FREE OF ALL IMPURITIES.
- ANY CHANGE MUST BE AUTHORIZED BY AN SC&R ENGINEER.

DIMENSIONS ARE IN INCHES	DRAWN	NAME	DATE
FRACTIONAL ±	ENG APPR.	SCR	03/27/18
ANGULAR: MACH ±	MFG APPR.		
TWO PLACE DECIMAL ±	COMMENTS:		
THREE PLACE DECIMAL ±			
MATERIAL			
FINISH			

SIZE	DWG. NO.	REV
C	990715	01
SCALE: 1:8	WEIGHT:	SHEET 1 OF 1

TITLE:

CABLE RAILING GATE - STAINLESS SQUARE