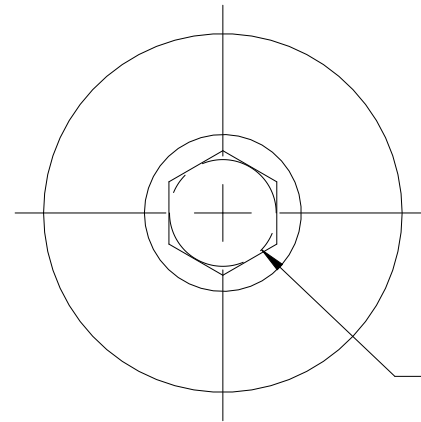
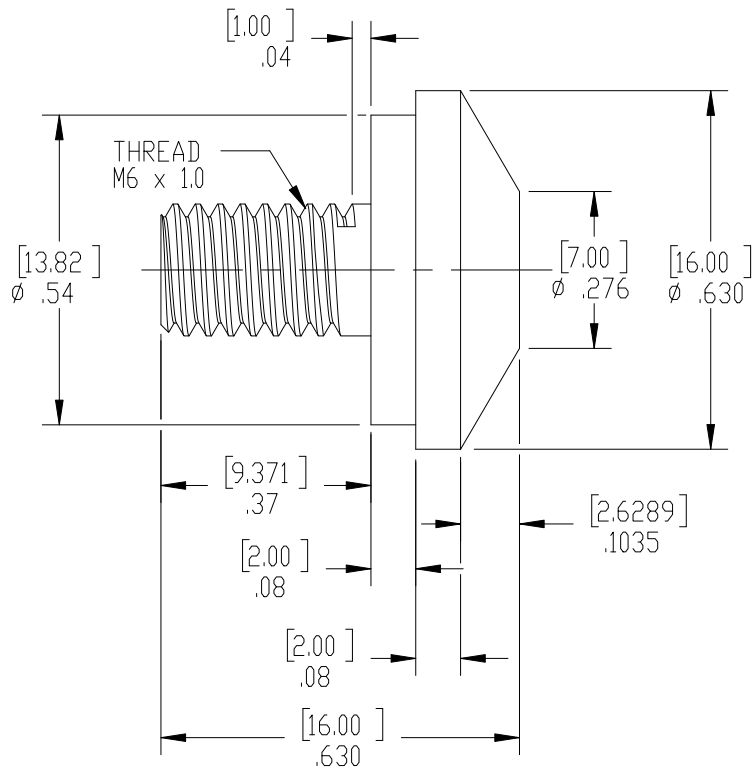


2

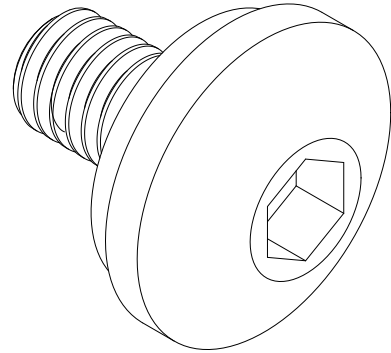
1

B

B



[4.8133]  
 Ø .1895  
 MUST WORK WITH  
 3/16" HEX. KEY  
 DEPTH 3MM



A

A



PROPRIETARY AND CONFIDENTIAL

THE INFORMATION CONTAINED IN THIS DRAWING IS THE SOLE PROPERTY OF STAINLESS CABLE AND RAILING. ANY REPRODUCTION IN PART OR AS A WHOLE WITHOUT THE WRITTEN PERMISSION OF STAINLESS CABLE AND RAILING IS PROHIBITED.

NOTES: UNLESS OTHERWISE SPECIFIED

- DUAL DIMENSIONS SHOWN - INCHES [MM].
- MACHINED SURFACES TO BE 63µIN MAX.
- PART TO BE FREE OF BURRS AND SHARP EDGES.
- ALL MATERIAL TO BE CLEAN, DEGREASED AND FREE OF ALL IMPURITIES.
- ANY CHANGE MUST BE AUTHORIZED BY AN SC&R ENGINEER.

DIMENSIONS ARE IN INCHES  
 FRACTIONAL ±  
 ANGULAR: MACH ±  
 TWO PLACE DECIMAL ±  
 THREE PLACE DECIMAL ±

MATERIAL  
 316 SS

FINISH

DRAWN	SCR	DATE	09/29/17
ENG APPR.			
MFG APPR.			

COMMENTS:

TITLE:  
 HEX. BUTTON BOLT /  
 CABLE QUICK TERMINAL

SIZE	DWG. NO.	REV
A	01-041-01B	01

SCALE: 2:1	WEIGHT:	SHEET 1 OF 1
------------	---------	--------------

2

1