

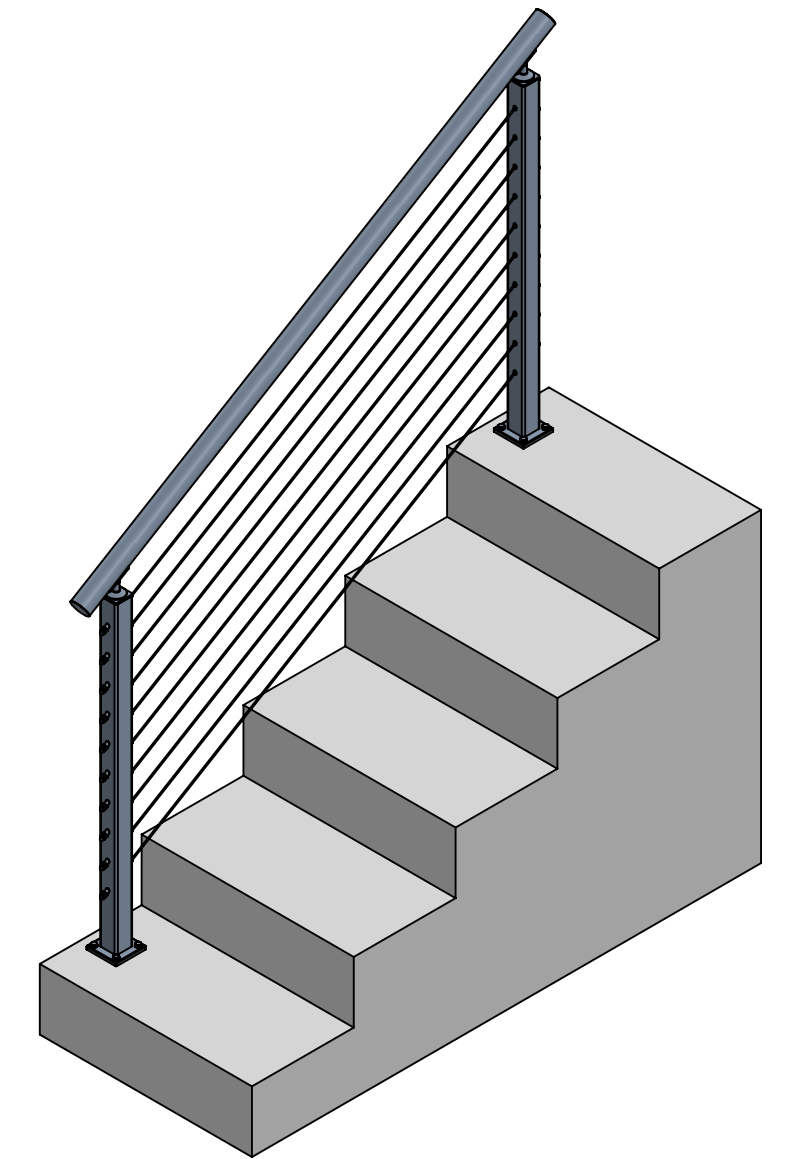
4

3

2

1

PART NUMBER	DESCRIPTION	QTY.
988057	SQUARE STAINLESS STEEL DECK MOUNT 36" UN-DRILLED TERMINAL POST	2
731236	SQUARE LONG NECK FLOOR FLANGE FOR STAINLESS STEEL DECK RAIL SYSTEMS- TERMINAL	2
731328	STAINLESS SQUARE ADJUSTABLE RADIUS TERMINAL POST CAP	2
5/16 x 4LG LAG SCREW	5/16 x 4LG LAG SCREW	8
731618	2" ROUND TOP RAIL FOR 2" ROUND SS RAILING SYSTEM	1
734756	END CAP FOR ROUND TERMINAL POSTS	2
#8X1.25 SCREW	#8X1.25 FLAT HEAD SCREW	8
986244	FACTORY SWAGED ASSEMBLIES	10
TAPERED WASHER	TAPERED WASHER	20



D

D

C

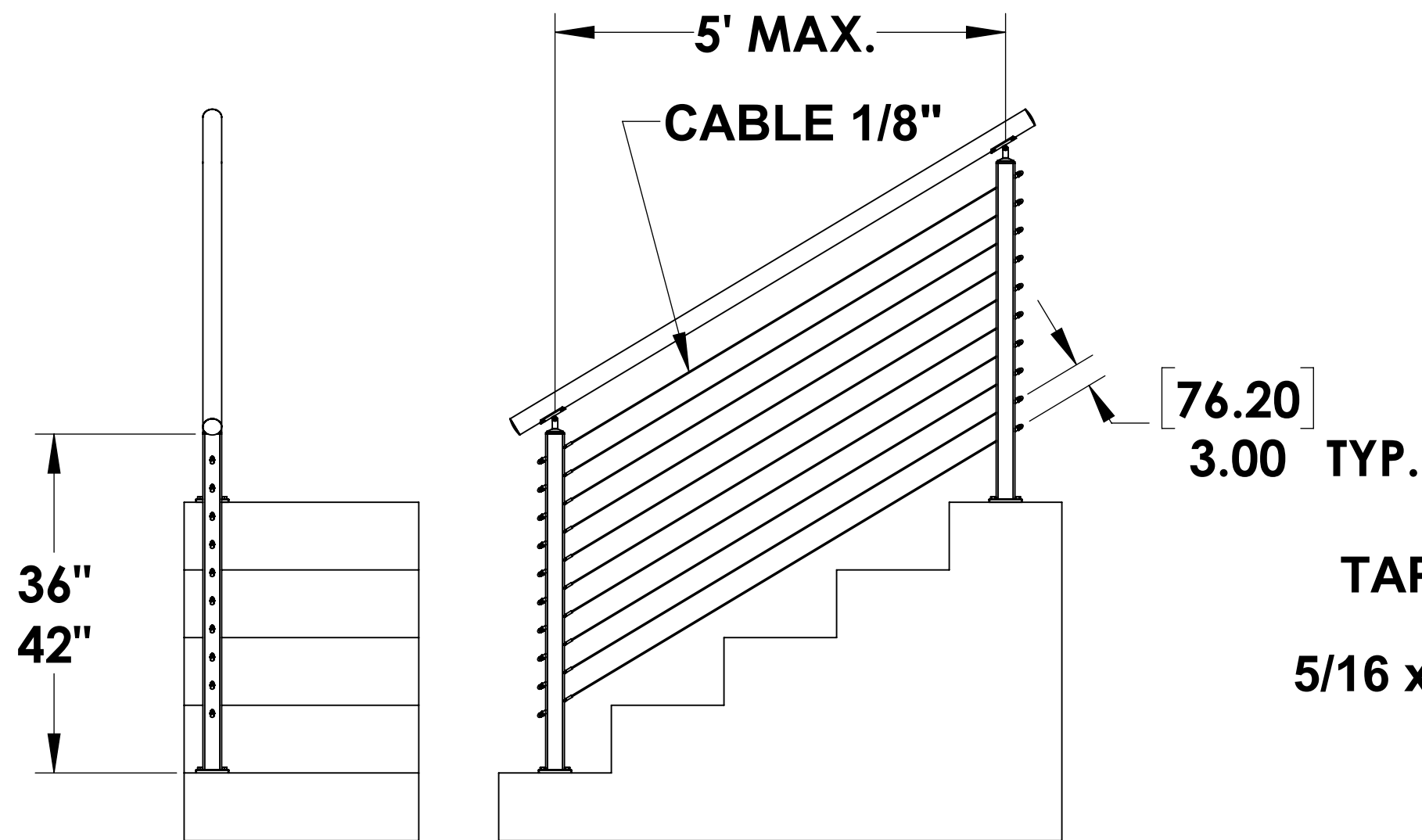
C

B

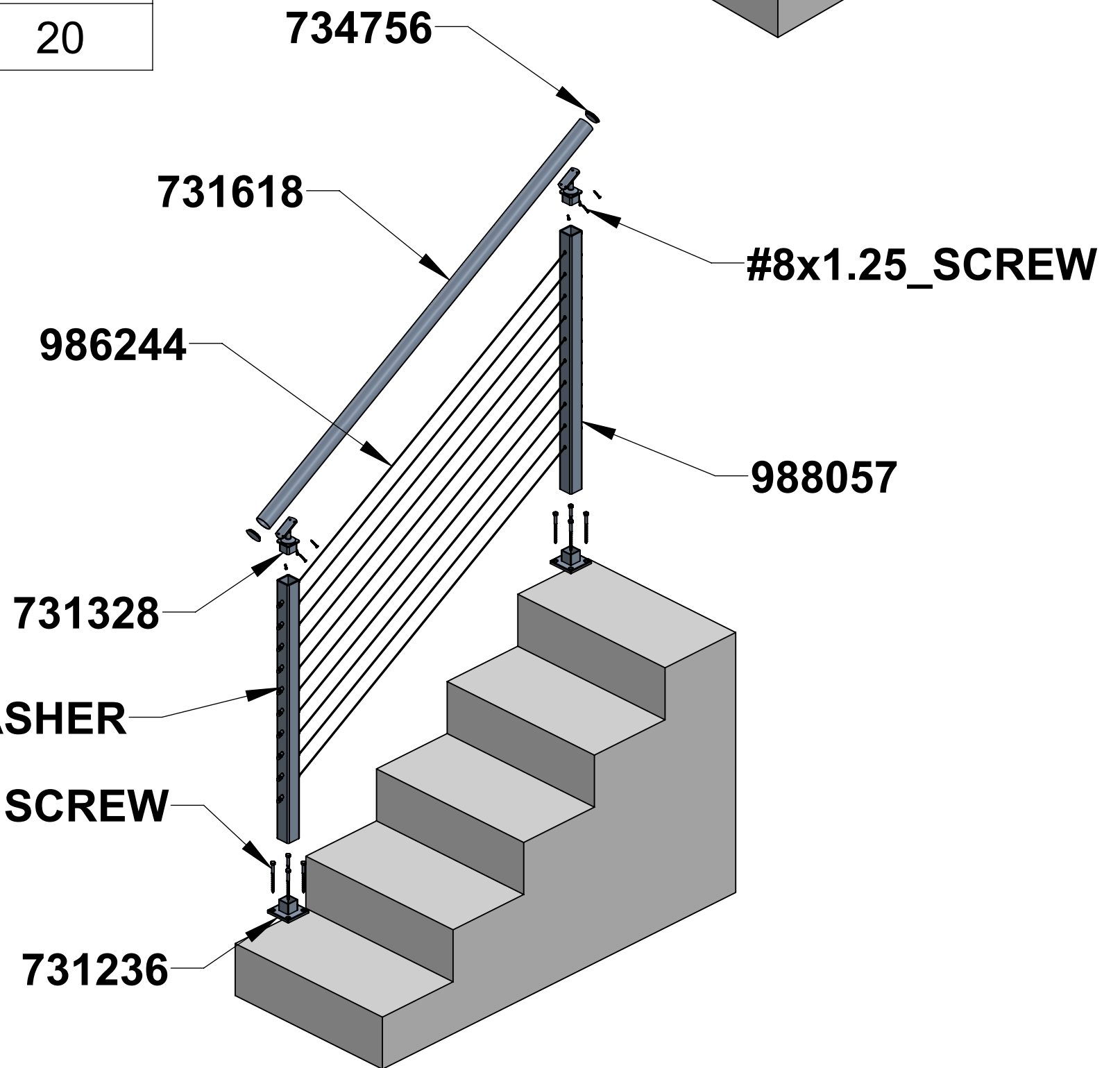
B

A

A



TAPERED WASHER  
5/16 x 4LG LAG SCREW



PROPRIETARY AND CONFIDENTIAL

THE INFORMATION CONTAINED IN THIS DRAWING IS THE SOLE PROPERTY OF STAINLESS CABLE AND RAILING. ANY REPRODUCTION IN PART OR AS A WHOLE WITHOUT THE WRITTEN PERMISSION OF STAINLESS CABLE AND RAILING IS PROHIBITED.

NOTES: UNLESS OTHERWISE SPECIFIED	
1. DUAL DIMENSIONS SHOWN - INCHES [MM]	DIMENSIONS ARE IN INCHES
2. MACHINED SURFACES TO BE 63µIN MAX.	FRACTIONAL ±
3. PART TO BE FREE OF BURRS AND SHARP EDGES.	ANGULAR: MACH ±
4. ALL MATERIAL TO BE CLEAN, DEGREASED AND FREE OF ALL IMPURITIES.	TWO PLACE DECIMAL ±
5. ANY CHANGE MUST BE AUTHORIZED BY AN SC&R ENGINEER.	THREE PLACE DECIMAL ±
	MATERIAL
	FINISH

NAME	DATE
SCR	03/27/18
ENG APPR.	
MFG APPR.	
COMMENTS:	

TITLE:		
SSQ STAIR ASSEMBLY		
SIZE	DWG. NO.	REV
C	SSQ_STAIR	01
SCALE: 1:16	WEIGHT:	SHEET 1 OF 1