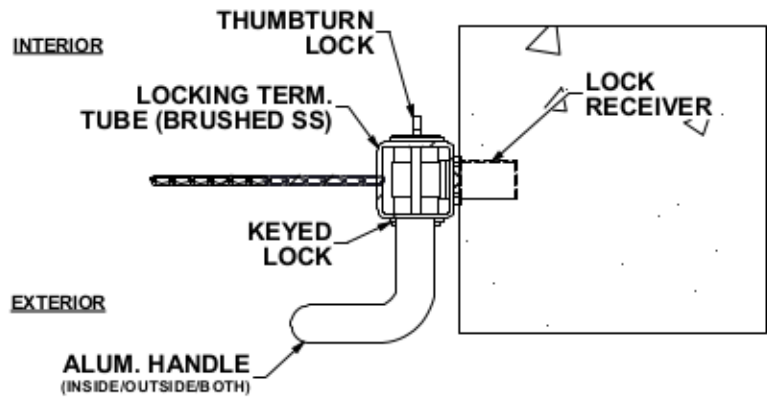
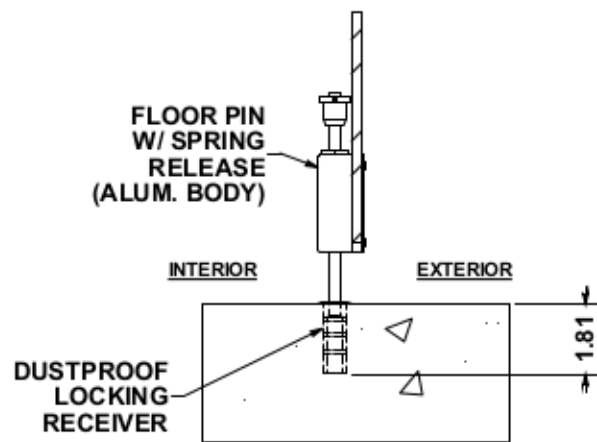


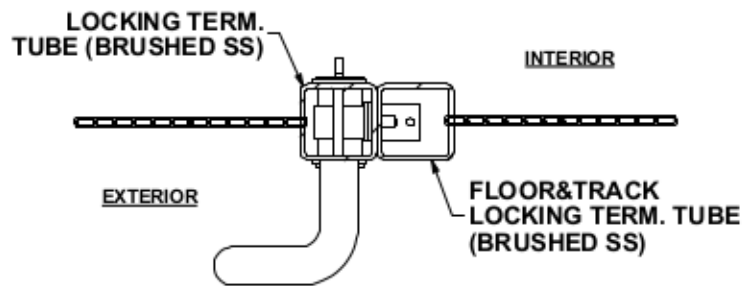
1 WALL ATTACHMENT
SCALE: NTS



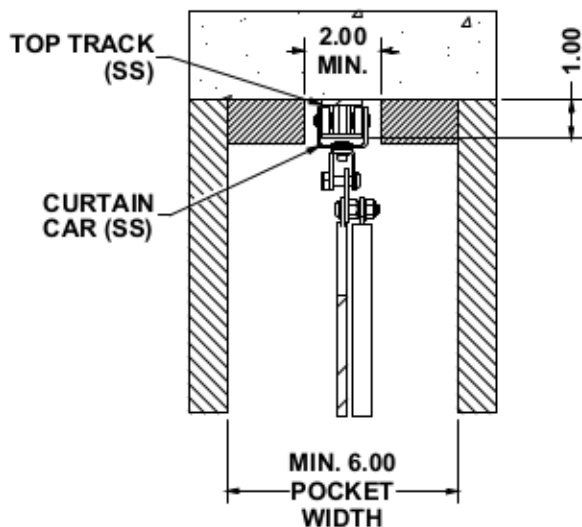
2 WALL LOCK ATTACHMENT
SCALE: NTS



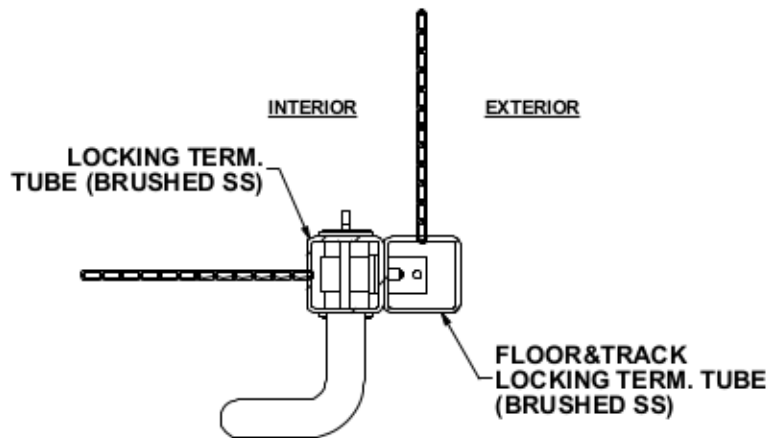
3 FLOOR PINS
SCALE: NTS



4 CENTER TUBE ATTACHMENTS
SCALE: NTS



5 TOP TRACK
SCALE: NTS



6 CORNER TUBE ATTACHMENTS
SCALE: NTS

"CATALINA" CURTAIN

NOT TO SCALE



CAMBRIDGE ARCHITECTURAL MESH
105 GOODWILL RD. | CAMBRIDGE, MD 21613
TOLL FREE: 866-806-2385
WWW.CAMBRIDGEARCHITECTURAL.COM

WARNING:
DETAILS ABOVE ARE TYPICAL ONLY AND ARE BASED ON THE MATERIALS AND PROPERTIES OF EACH COMPONENT AS MANUFACTURED OR FABRICATED BY CAMBRIDGE ARCHITECTURAL MESH. ANY SUBSTITUTIONS MAY RESULT IN THE FAILURE OF THE SYSTEM. ANY DEVIATION FROM THE STANDARD SIZES OR MATERIALS ABOVE SHOULD BE RECONFIGURED WITH THE MANUFACTURER PRIOR TO SPECIFICATION.