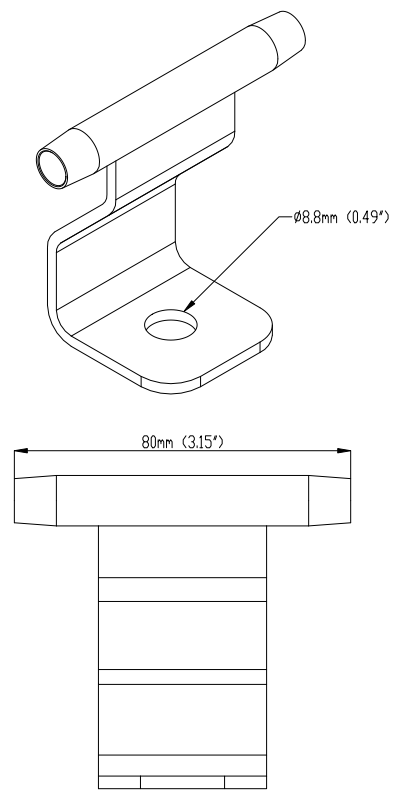


68.5mm (2.70")



80mm (3.15")

$\phi 8.8\text{mm}$ (0.49")