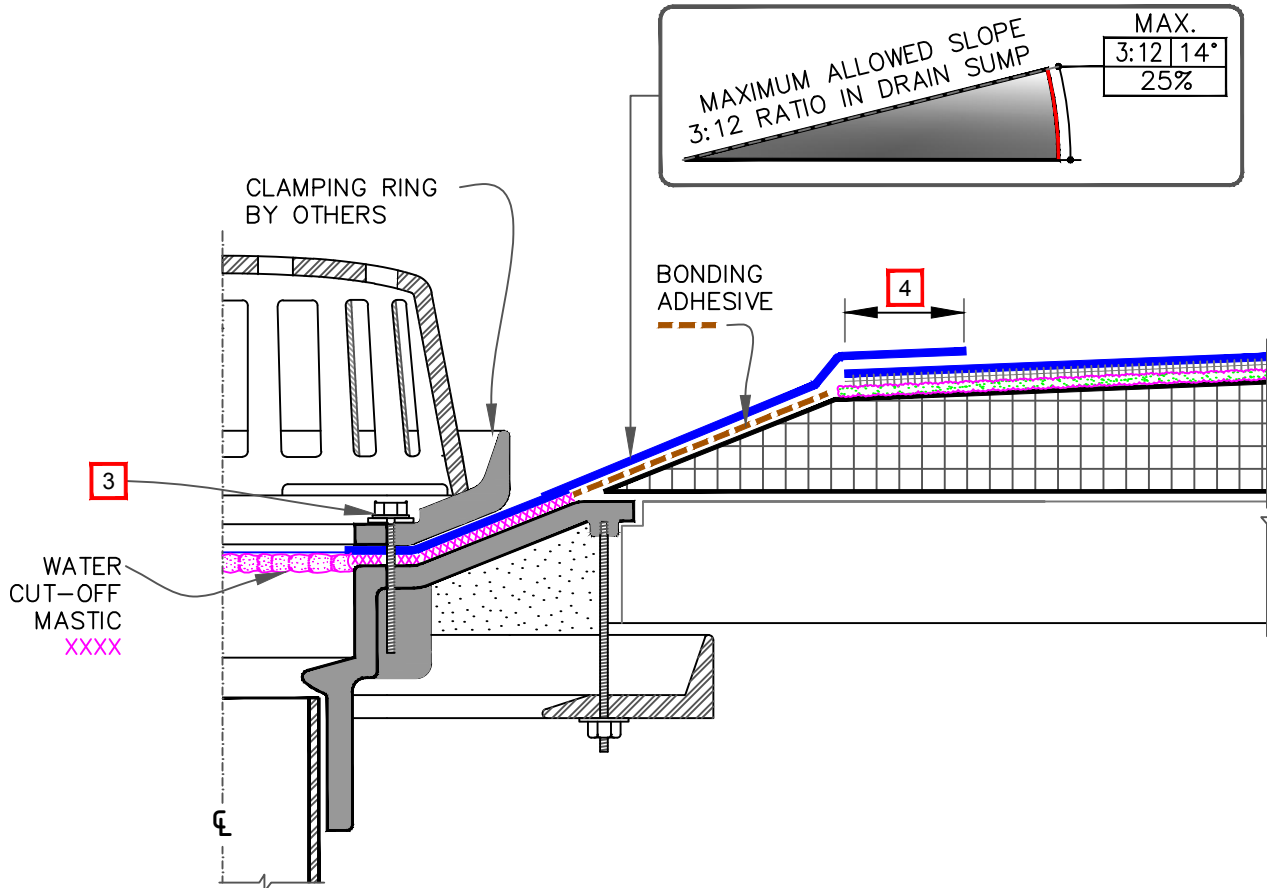


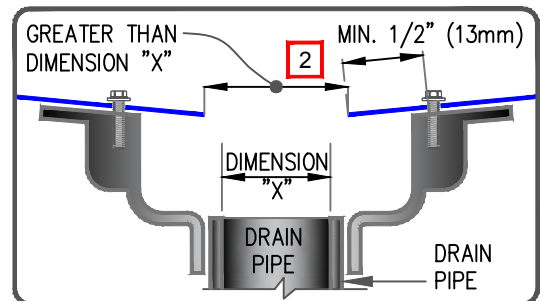
CAUTION

EPDM MEMBRANE SPLICES SHALL INCORPORATE 6" (152mm) WIDE FIELD APPLIED SecurTAPE FOR PROJECTS WITH 20, 25 & 30-YEAR WARRANTIES.



NOTES:

1. REMOVE EXISTING LEAD, FLASHING MATERIAL & ENSURE THE DRAIN RING IS COMPLETELY CLEAN DOWN TO BARE METAL.
2. THE HOLE IN THE MEMBRANE SHALL EXCEED THE DIAMETER OF THE DRAIN PIPE, BUT SHALL BE NO LESS THAN 1/2" (13mm) FROM THE ATTACHMENT POINTS OF THE DRAIN CLAMPING RING.
3. ALL BOLTS OR CLAMPS MUST BE IN PLACE TO PROVIDE CONSTANT COMPRESSION ON WATER CUT-OFF MASTIC.
4. SPLICES SHALL BE COMPLETED USING MIN. 3" (76mm) WIDE SecurTAPE/ PRIMER WITH EPDM MEMBRANE AND MINIMUM 1-1/2" (38mm) HOT AIR WELD WITH TPO/PVC.
5. FIELD SPLICES MUST BE LOCATED AT LEAST 6 INCHES (152mm) OUTSIDE THE DRAIN SUMP.
6. APPROXIMATELY 1/8" (3mm) DIAMETER BEAD OF CUT-EDGE SEALANT IS REQUIRED ON CUT EDGES OF REINFORCED TPO MEMBRANE AND RECOMMENDED ON CUT EDGES OF SURE-FLEX PVC MEMBRANE.
7. ROOF DRAIN SIZE AND NUMBER OF DRAINS SHALL BE IN ACCORDANCE WITH THE LOCAL CODES.



	→ FleeceBACK MEMBRANE
	→ FAST ADHESIVE/AQUABASE
	→ APPROVED SUBSTRATE
	→ SEE NOTE(S)

ROOF DRAIN WITH SEPARATE TARGET SPLICE

For additional information, refer to Specifications



DETAIL NO.

FB-6B

FLEECEBACK ADHERED