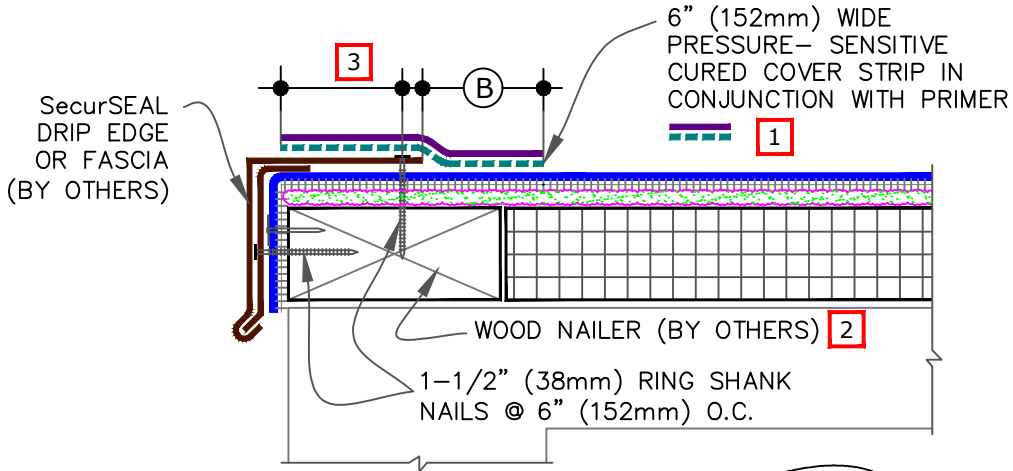


CAUTION

DETAIL NOT FOR USE ON 25 & 30-YEAR WARRANTY PROJECTS. ACCEPTABLE EDGING SHALL CONFORM WITH THERMOSET DETAIL [U-1A.1](#) WHEN USING EPDM MEMBRANE OR [FB-1B](#) WITH TPO MEMBRANE.

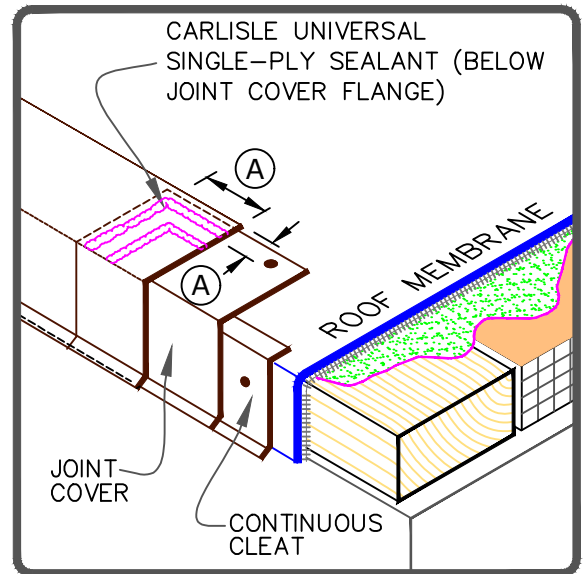


EPDM & TPO ONLY
(NOT FOR PVC)

NOTES:

1. USE APPROPRIATE COVER STRIP & PRIMER BASED UPON MEMBRANE TYPE. FOR EPDM, REFER TO THERMOSET [U-1A](#). FOR TPO, REFER TO THERMOPLASTIC [U-1A](#).
2. WOOD NAILER MUST EXTEND PAST TOTAL WIDTH OF METAL FASCIA DECK FLANGE.
3. METAL FASCIA DECK FLANGE MUST BE TOTALLY COVERED BY PRESSURE-SENSITIVE COVER STRIP WITH MINIMUM 2" (51mm) COVERAGE PAST NAIL HEADS.
4. TO REMOVE FINISHING OILS, SCRUB METAL FLANGE WITH WEATHERED MEMBRANE CLEANER; ALLOW TO DRY PRIOR TO APPLYING PRIMER.
5. APPLY PRIMER TO METAL FLANGE AND MEMBRANE SURFACE PRIOR TO INSTALLING PRESSURE-SENSITIVE FLASHING.
6. WHEN METAL FASCIA BY OTHERS IS USED, FASTENER TYPE AND FASTENING FREQUENCY SHALL BE RECOMMENDED BY METAL EDGE MANUFACTURER.

| DIMENSIONS | | mm | |
|------------|------|----|------|
| (A) | 1/2" | 13 | TO |
| | 1" | 25 | |
| (B) | 2" | 51 | MIN. |



| | |
|--|--------------------------|
| | → FleeceBACK MEMBRANE |
| | → FAST ADHESIVE/AQUABASE |
| | → APPROVED SUBSTRATE |
| | → SEE NOTE(S) |

SecurSEAL DRIP EDGE FASCIA

For additional information, refer to Specifications

| | |
|--------------------|--------------|
| | DETAIL NO. |
| | FB-1A |
| FLEECEBACK ADHERED | |