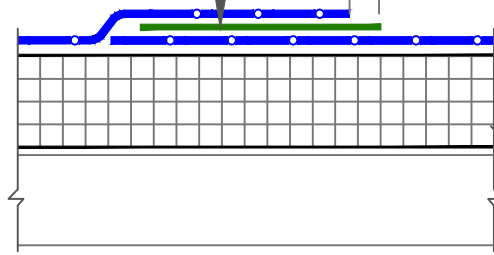


MIN. 3" (76mm) WIDE  
SecurTAPE IN  
CONJUNCTION WITH  
EPDM PRIMER

1/8" (3mm) MIN TO  
1/2" (13mm) MAX.

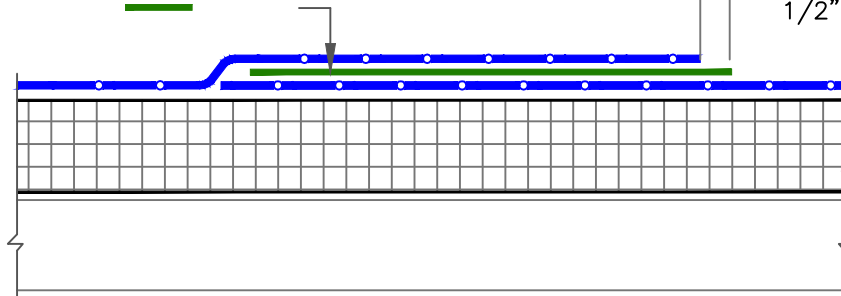


SEE 3-D  
DETAILS BELOW

**UP TO 15 YEAR WARRANTY**

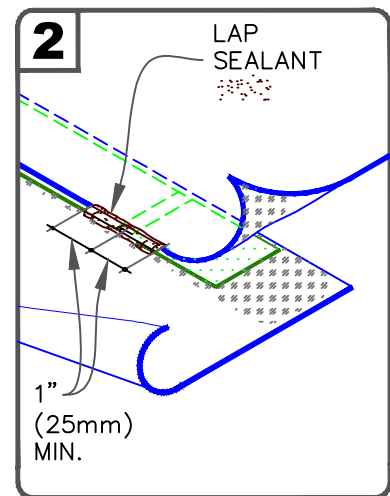
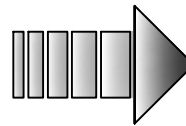
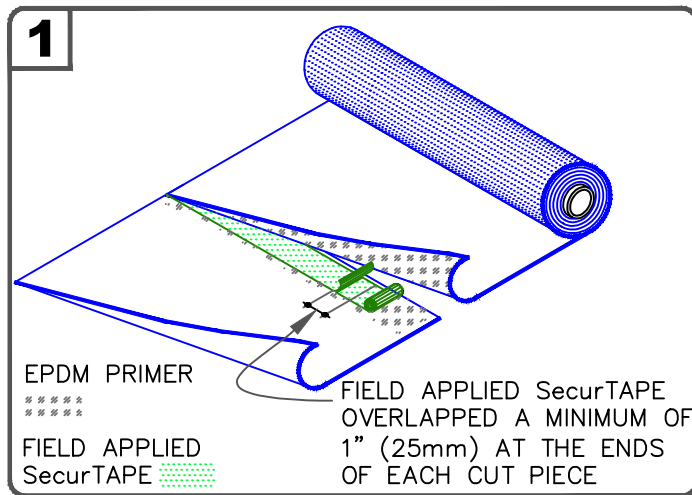
MIN. 6" (152mm) WIDE SecurTAPE IN  
CONJUNCTION WITH EPDM PRIMER

1/8" (3mm) MIN TO  
1/2" (13mm) MAX.



SEE 3-D  
DETAILS BELOW

**UP TO 30 YEAR WARRANTY**



NOTES:

1. APPLY EPDM PRIMER TO THE MEMBRANE SURFACES PRIOR TO INSTALLING PRESSURE-SENSITIVE FLASHING.
2. LAP SEALANT IS REQUIRED ON CUT EDGES OF REINFORCED EPDM MEMBRANE.

REV. 1/17

	<ul style="list-style-type: none"> <li>● REINFORCED EPDM—UNLESS NOTED OTHERWISE</li> <li>● APPROVED SUBSTRATE</li> <li>● SEE NOTE(S)</li> </ul>	<p><b>END LAP SPLICE</b></p> <p>For additional information, refer to Specifications</p>	<p>DETAIL NO. <b>MF-2B</b></p> <p>MECHANICALLY FASTENED</p>
--	---	---	---