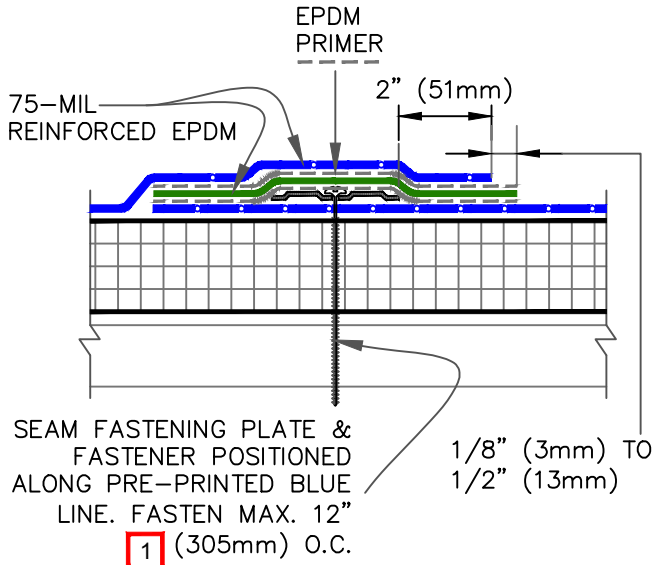
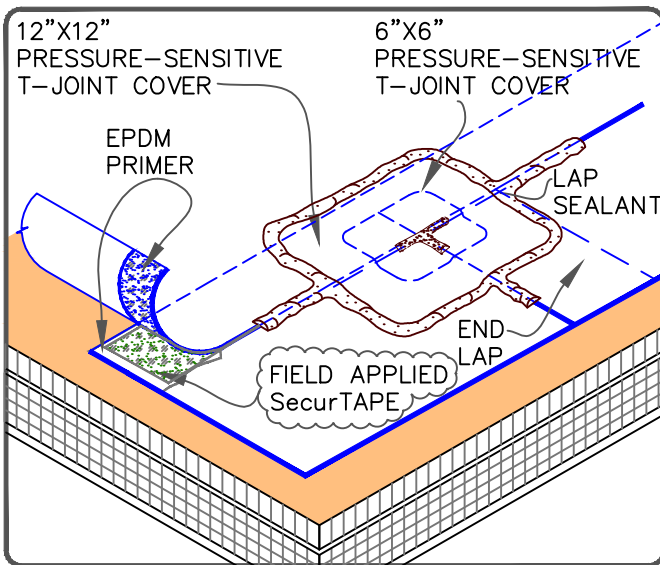
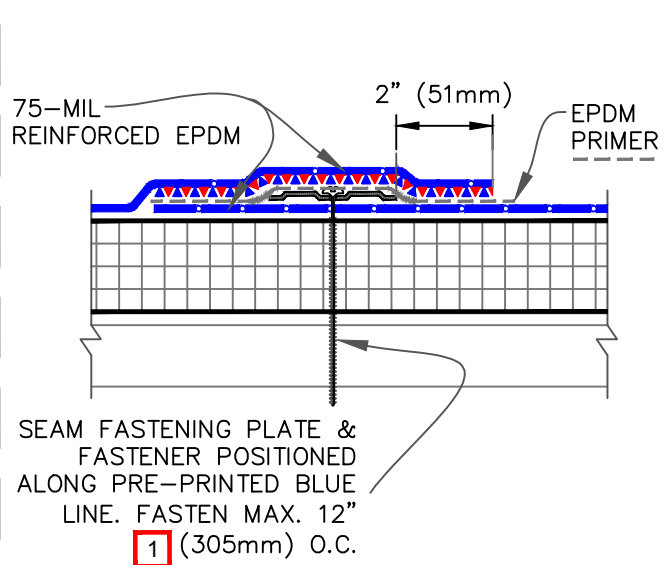


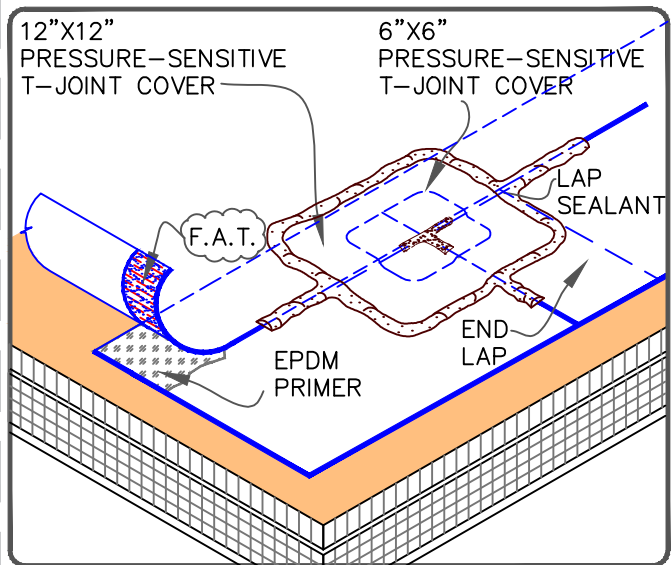
**FIELD APPLIED SecurTAPE**



**FACTORY APPLIED SecurTAPE**



FIELD APPLIED SecurTAPE



F.A.T. (FACTORY APPLIED SecurTAPE)

NOTES:

1. FIELD APPLIED SecurTAPE IS TO BE OVERLAPPED A MINIMUM OF 1" (25mm) AT THE ENDS OF EACH CUT PIECE. APPLY LAP SEALANT AT TAPE OVERLAPS 1/2" (13mm) IN ALL DIRECTIONS AS SHOWN.
2. ALL SPLICE INTERSECTIONS MUST BE OVERLAID WITH TWO LAYERS OF PRESSURE-SENSITIVE ELASTOROM FLASHING. BOTH LAYERS SHALL BE CENTERED OVER THE SPLICE INTERSECTION AND SEALED WITH CONTINUOUS LAP SEALANT.
3. END LAPS SHALL BE SPLICED USING 6" (152mm) WIDE SecurTAPE.
4. LAP SEALANT IS REQUIRED ON CUT EDGES OF REINFORCED EPDM MEMBRANE.

REV. 1/17

	● REINFORCED EPDM—UNLESS NOTED OTHERWISE
	● APPROVED SUBSTRATE
	● SEE NOTE(S)

**MEMBRANE SPLICE (25 / 30 YEAR WARRANTIES)**

For additional information, refer to Specifications

	DETAIL NO.
	<b>MF-2D</b>
MECHANICALLY FASTENED	