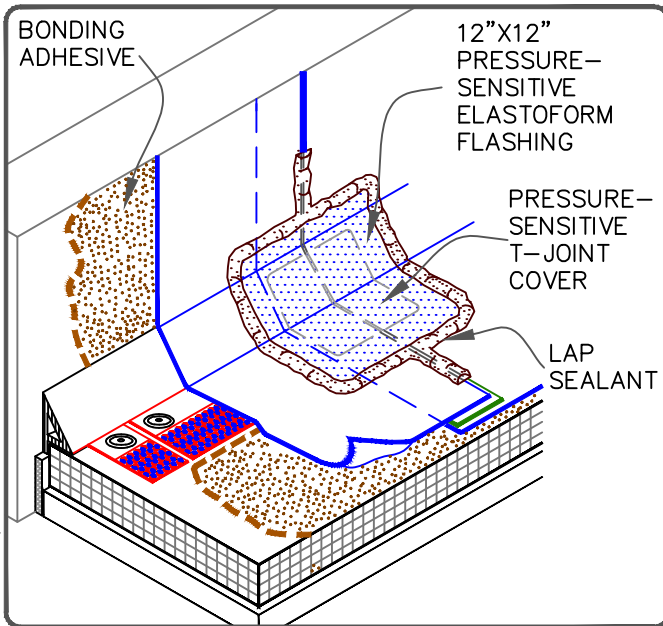
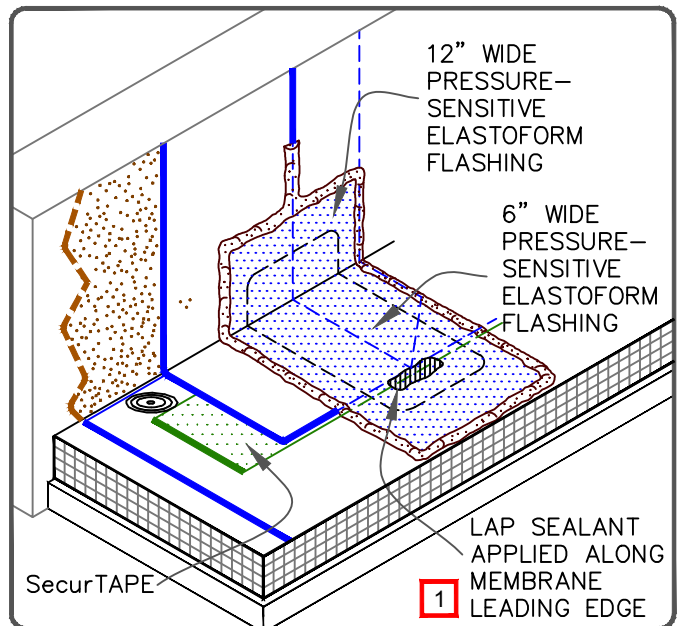


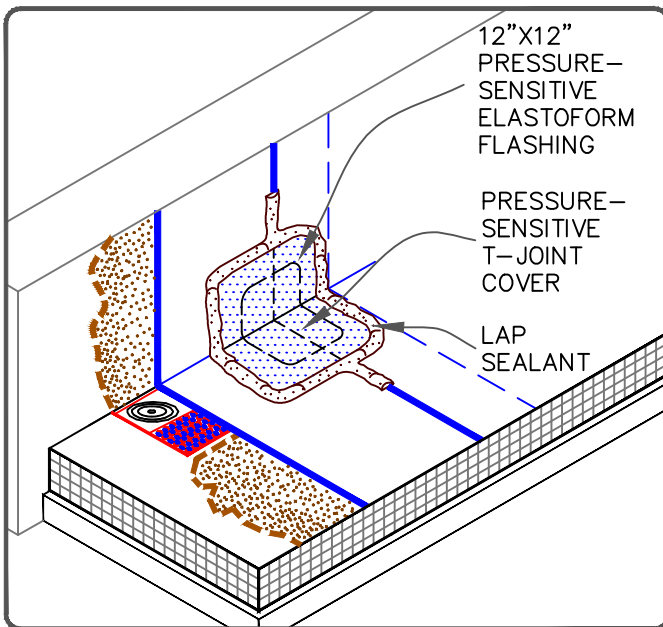
CONTINUOUS WALL FLASHING



SEPARATE WALL FLASHING



CONTINUOUS WALL FLASHING



NOTES:

1. APPLY LAP SEALANT ALONG THE LEADING EDGE OF THE MEMBRANE SPLICE (UNDER THE PRESSURE-SENSITIVE ELASTOFORM FLASHING) COVERING THE EXPOSED SPLICE TAPE APPROXIMATELY 1/2" (13mm) BEYOND THE SPLICE EDGE.
2. PRESSURE-SENSITIVE T-JOINT COVER OR 6" (152mm) WIDE PRESSURE-SENSITIVE FLASHING, IN CONJUNCTION WITH EPDM PRIMER, MUST BE CENTERED OVER FIELD SPLICES AT THE ANGLE CHANGE. PROJECTS WITH 25 AND 30-YEAR WARRANTIES OR WHEN USING 90-MIL MEMBRANE REQUIRE FIELD SPLICES TO BE OVERLAID WITH TWO LAYERS OF PRESSURE-SENSITIVE ELASTOFORM FLASHING. THE BOTTOM LAYER SHALL BE 6" (152mm) WIDE COVERED WITH A 12" WIDE TOP LAYER (305mm). BOTH LAYERS SHALL BE CENTERED AND SEALED WITH CONTINUOUS LAP SEALANT.

<p>—• EPDM</p> <p>—• APPROVED SUBSTRATE</p> <p>—• SEE NOTE(S)</p>	<p>EPDM MEMBRANE SPLICES AT ANGLE CHANGE</p> <p>For additional information, refer to Specifications</p>	<p>DETAIL NO.</p> <p>U-2C</p> <p>THERMOSET UNIVERSAL</p>
---	--	---