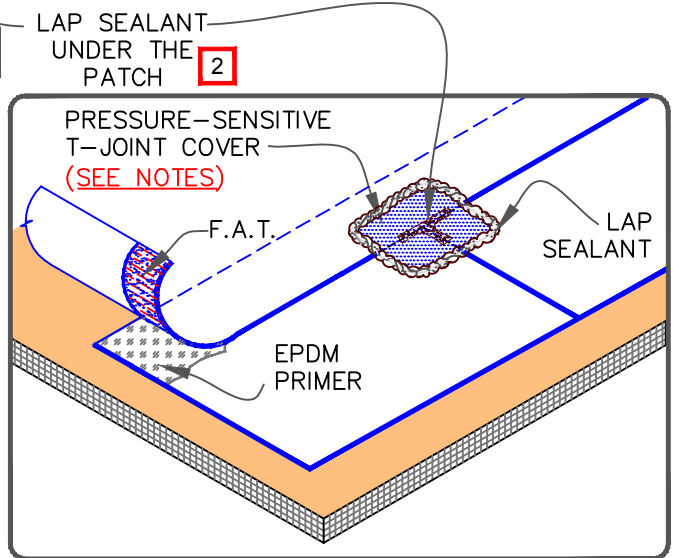
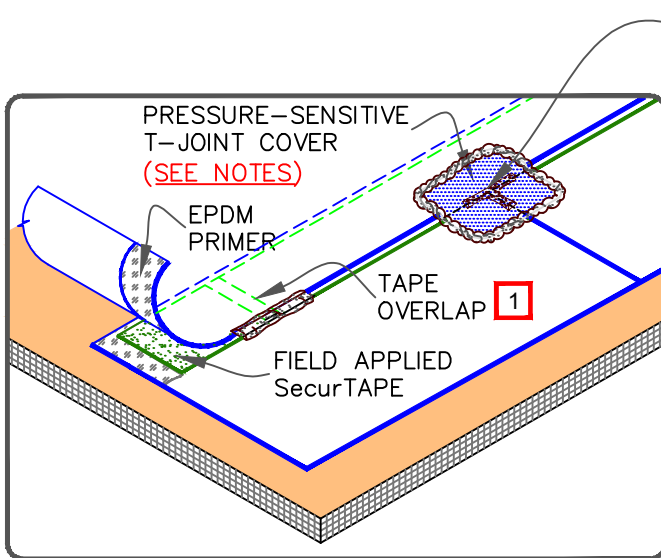
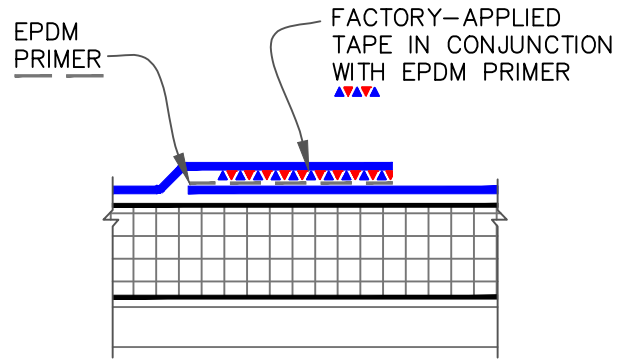
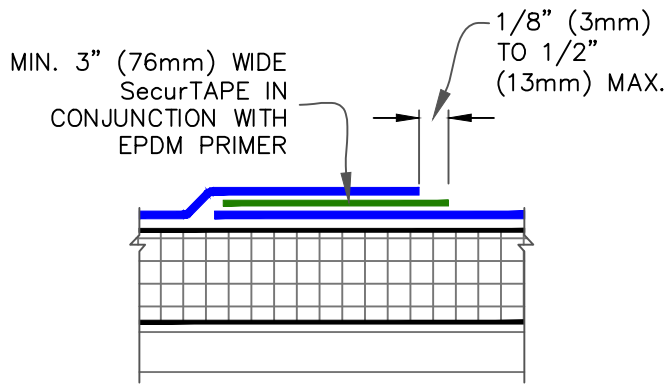


CAUTION

PROJECTS WITH 20-YEAR WARRANTIES (MAXIMUM MEMBRANE THICKNESS 75-MIL), TAPE SPLICES MUST BE A MINIMUM 3" WIDE FACTORY-APPLIED TAPE (FAT) OR A MINIMUM OF 6" FIELD APPLIED SecurTAPE. REFER TO [DETAIL U-2A.1](#) FOR WARRANTY PROJECTS EXCEEDING 20-YEARS OR WHEN USING 90-MIL MEMBRANE.



NOTES:

1. FIELD APPLIED SecurTAPE IS TO BE OVERLAPPED A MINIMUM OF 1" (25mm) AT THE ENDS OF EACH CUT PIECE. APPLY LAP SEALANT AT TAPE OVERLAPS 2" (51mm) IN EACH DIRECTION AS SHOWN.
2. APPLY LAP SEALANT ALONG THE LEADING EDGE OF THE MEMBRANE SPLICE UNDER THE 6"X6" (152mm X 152mm) T-JOINT COVER, COVERING THE EXPOSED SPLICE TAPE 1/2" (13mm) IN ALL DIRECTIONS FROM THE SPLICE INTERSECTION.
3. 6" (152mm) WIDE PRESSURE-SENSITIVE ELASTOFORM FLASHING, IN CONJUNCTION WITH EPDM PRIMER, MAY ALSO BE CENTERED OVER THE INTERSECTING POINT OF THE LEADING EDGES OF THE FIELD SPLICE INTERSECTION.
4. LAP SEALANT IS REQUIRED ON CUT EDGES OF REINFORCED EPDM MEMBRANE.

	<p>EPDM MEMBRANE SPLICES</p> <p>For additional information, refer to Specifications</p>		<p>DETAIL NO.</p> <p>U-2A</p> <p>THERMOSET UNIVERSAL</p>
--	--	--	---