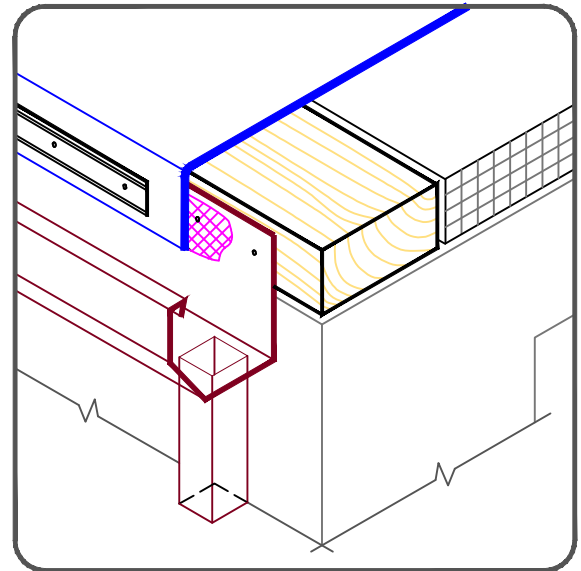


NOTES:

1. FASTENING OF METAL TERMINATION BAR MUST PROVIDE CONSTANT COMPRESSION ON WATER CUT-OFF MASTIC.
2. ALLOW MEMBRANE SHEET TO EXTEND 1/2" (13mm) MINIMUM BELOW THE METAL TERMINATION BAR.
3. DETAIL NOT FOR USE WITH DESIGN "B" (BALLASTED STONE ASSEMBLY).



<p>—● EPDM</p> <p>—● APPROVED SUBSTRATE</p> <p>—● SEE NOTE(S)</p>	<p>METAL BAR EDGE TERMINATION</p> <p>For additional information, refer to Specifications</p>		<p>DETAIL NO.</p> <p>U-1C</p> <p>THERMOSET UNIVERSAL</p>
---	---	--	---