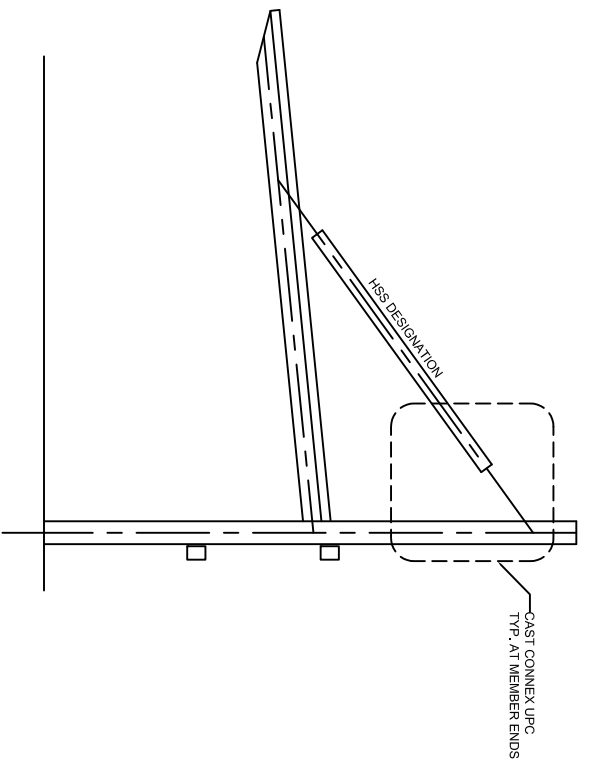
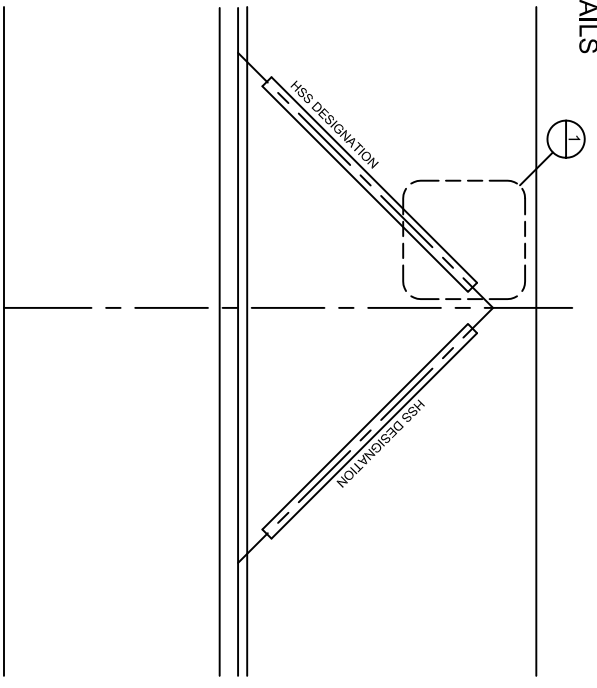


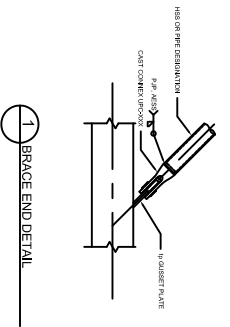
SAMPLE CANOPY & ROOF OVERHANG - ELEVATIONS AND DETAILS



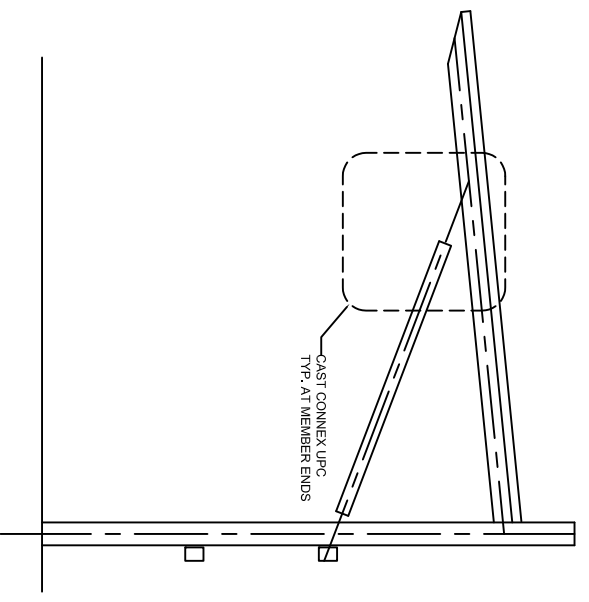
⊖ CANOPY ELEVATION - SIDE



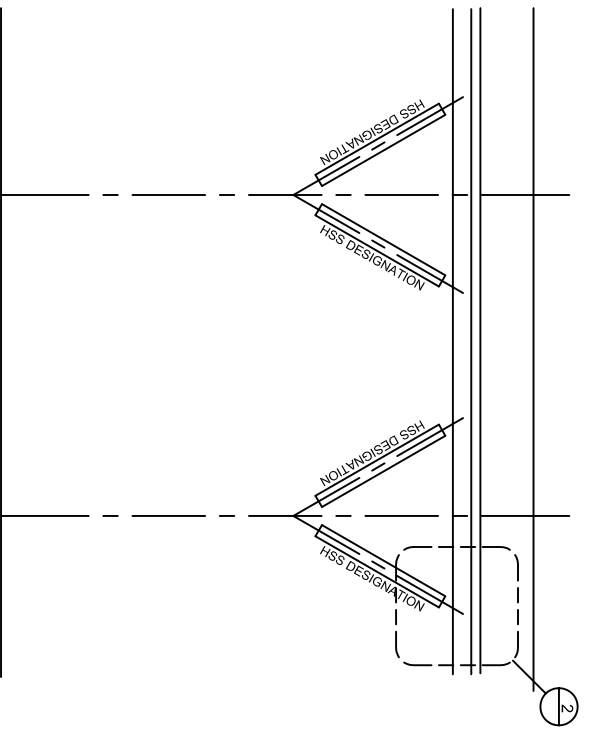
⊖ CANOPY ELEVATION - FRONT



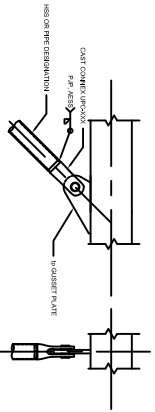
⊖ 1 BRACE END DETAIL



⊖ ROOF OVERHANG ELEVATION - SIDE



⊖ ROOF OVERHANG ELEVATION - FRONT



⊖ 6 BRACE END DETAIL