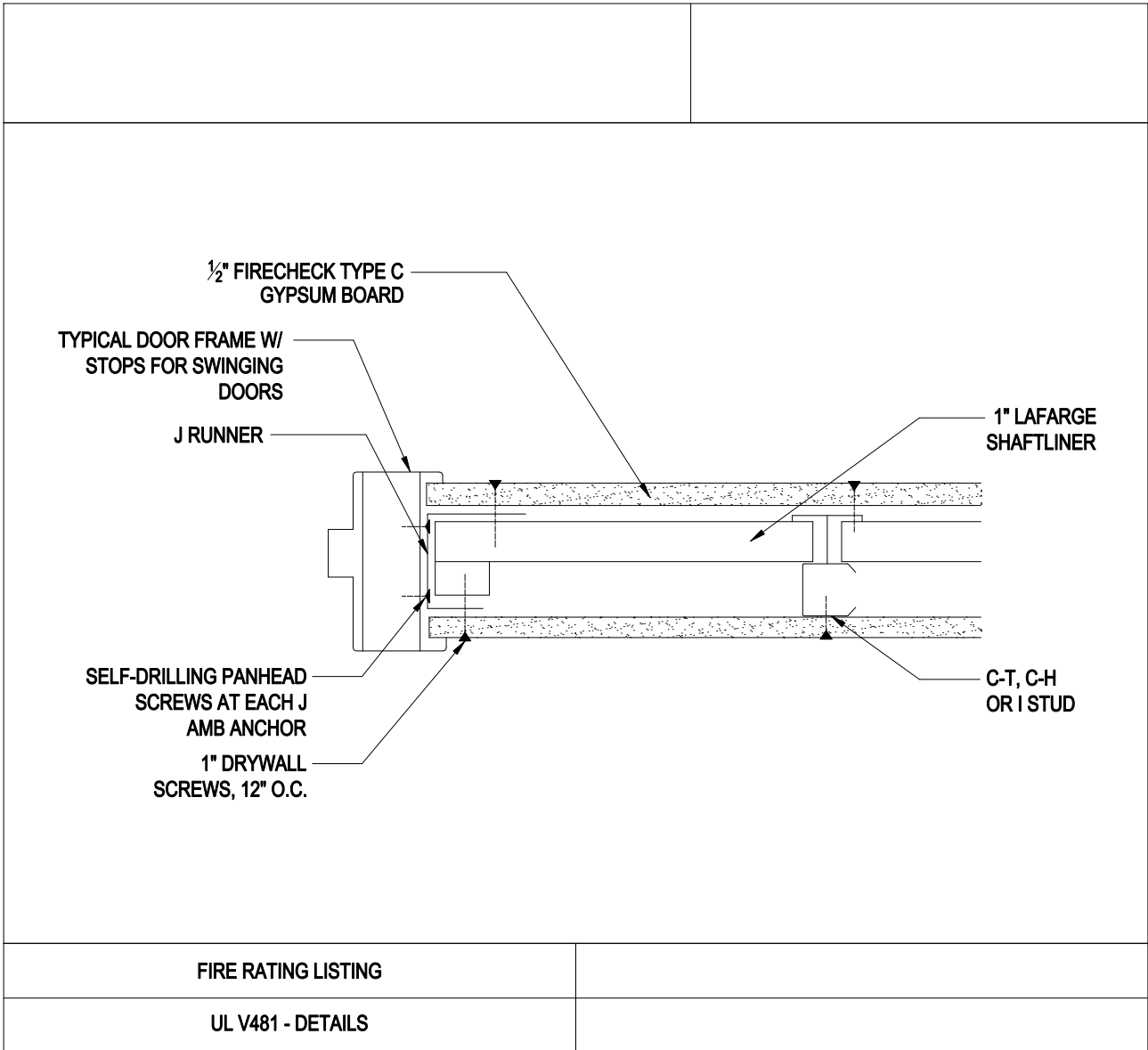


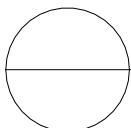


CONTINENTAL BUILDING PRODUCTS
 12950 WORLDGATE DRIVE, SUITE 700
 HERNDON, VA, 20170
 TOLL FREE: 1-800-237-5505
 www.continental-bp.com



NOTES:

1. INSTALLATION TO BE COMPLETED IN ACCORDANCE WITH MANUFACTURER'S SPECIFICATIONS.
2. DO NOT SCALE DRAWINGS.
3. CONTRACTORS NOTE: FOR PRODUCT AND COMPANY INFORMATION VISIT www.CADdetails.com/info REFERENCE NUMBER 3285-074.



SHAFTWALL DESIGN

TYPICAL DOOR JAMB DETAIL