

Figure 3a: Flashing

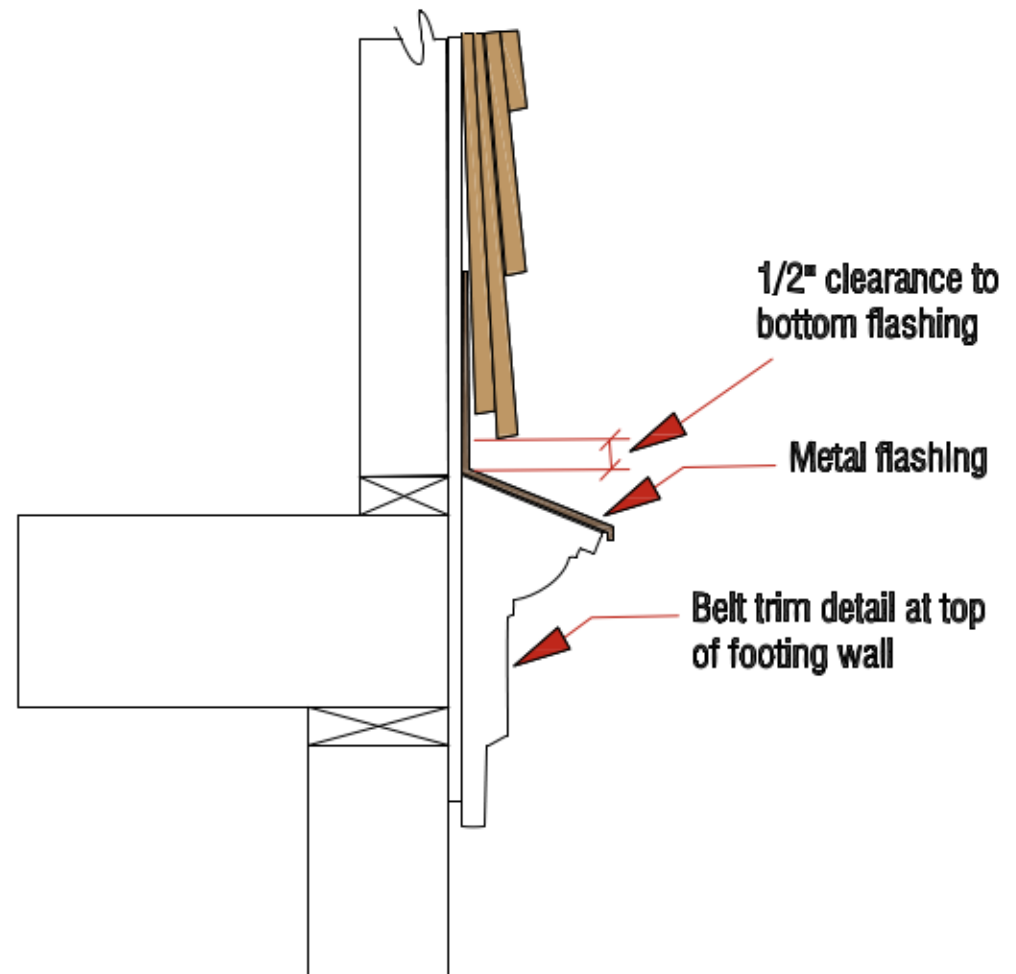


Figure 3b: Flashing

Figures 3a and 3b: To prevent the wicking of water, which may cause staining, keep a 1/2" clearance between the first course of Certi-label® products from all surfaces below.