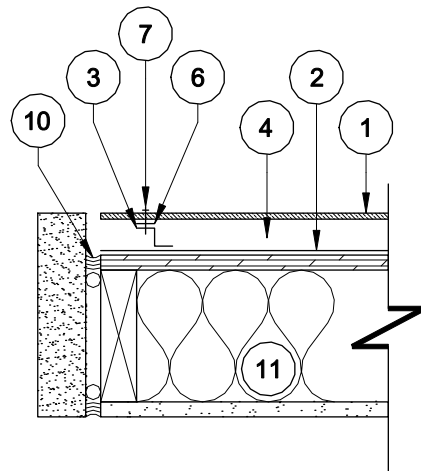
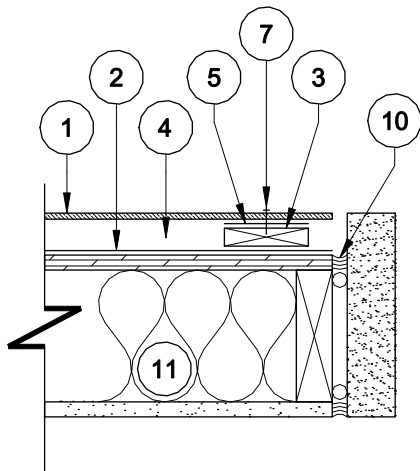


LEGEND

- ① FIBER CEMENT CLADDING SHEETS
- ② BREATHABLE WATERPROOF MEMBRANE
- ③ 3/4" MINIMUM SPACER FOR VENTILATION
- ④ AIR SPACE
- ⑤ 3 1/2" EPDM RUBBER STRIP
- ⑥ 1 1/4" EPDM RUBBER STRIP
- ⑦ STAINLESS STEEL SCREW
- ⑧ FLASHING
- ⑨ 3/4" MIN. DISTANCE FROM FLASHING
- ⑩ BACKER ROD & SEALANT
- ⑪ INSULATION
- ⑫ VERTICAL BATTEN
- ⑬ HORIZONTAL BATTEN



CBF

CEMENT BOARD FABRICATORS, INC.

T (800) 366-5378 / F (502) 774-5757 / INFO@CBF11.COM / WWW.CBF11.COM

EXTERIOR WALL SOLUTIONS - EXTERIOR WALL CONNECTION

5/1/2014