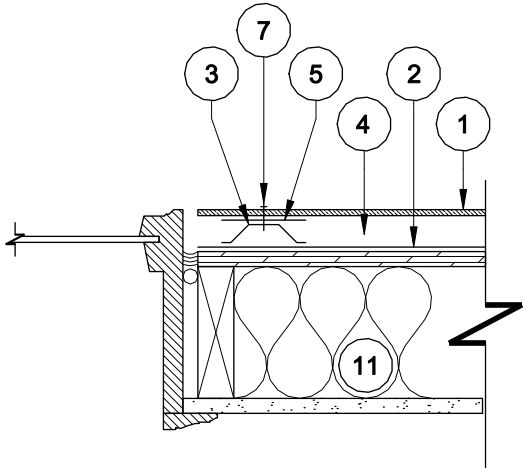
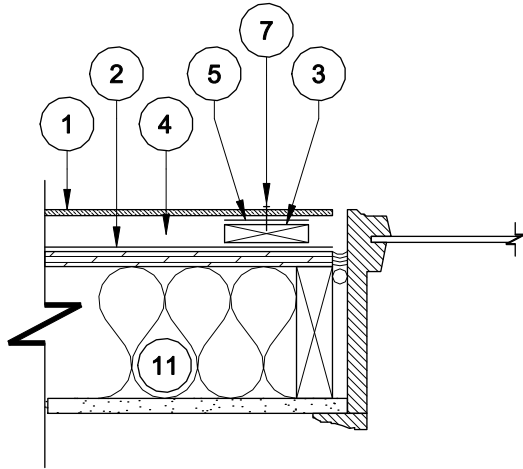
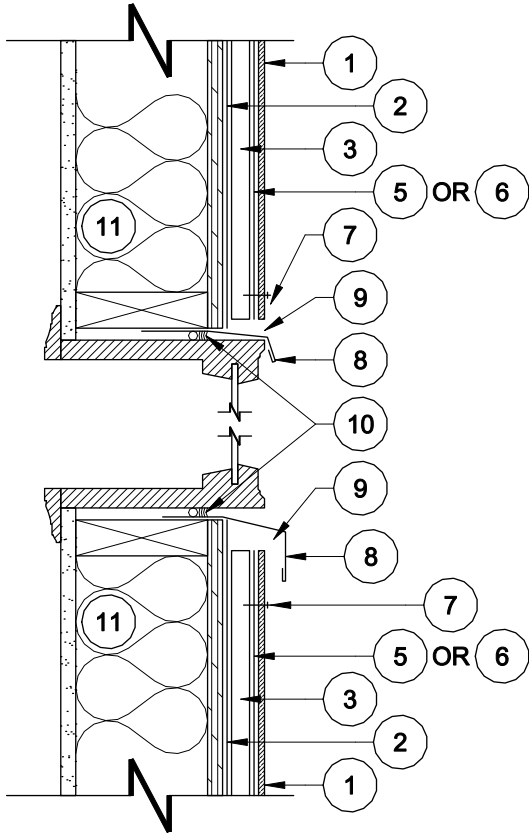


**LEGEND**

- 1 FIBER CEMENT CLADDING SHEETS
- 2 BREATHABLE WATERPROOF MEMBRANE
- 3 3/4" MINIMUM SPACER FOR VENTILATION
- 4 AIR SPACE
- 5 3 1/2" EPDM RUBBER STRIP
- 6 1 1/4" EPDM RUBBER STRIP
- 7 STAINLESS STEEL SCREW
- 8 FLASHING
- 9 3/4" MIN. DISTANCE FROM FLASHING
- 10 BACKER ROD & SEALANT
- 11 INSULATION



**CBF**

CEMENT BOARD FABRICATORS, INC.  
 T (800) 366-5378 / F (502) 774-5757 / INFO@CBF11.COM / WWW.CBF11.COM

WINDOW SOLUTIONS  
 FLUSH  
 5/1/2014