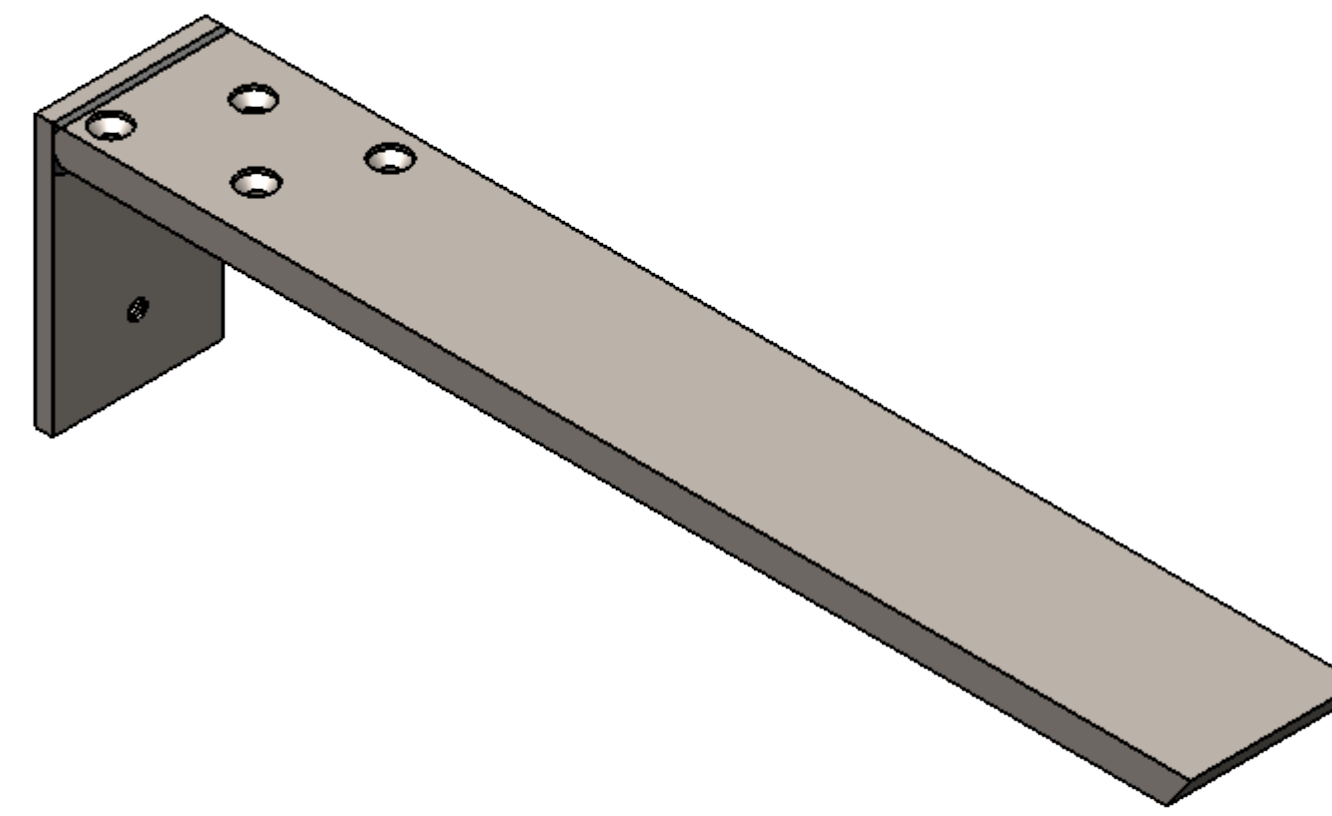


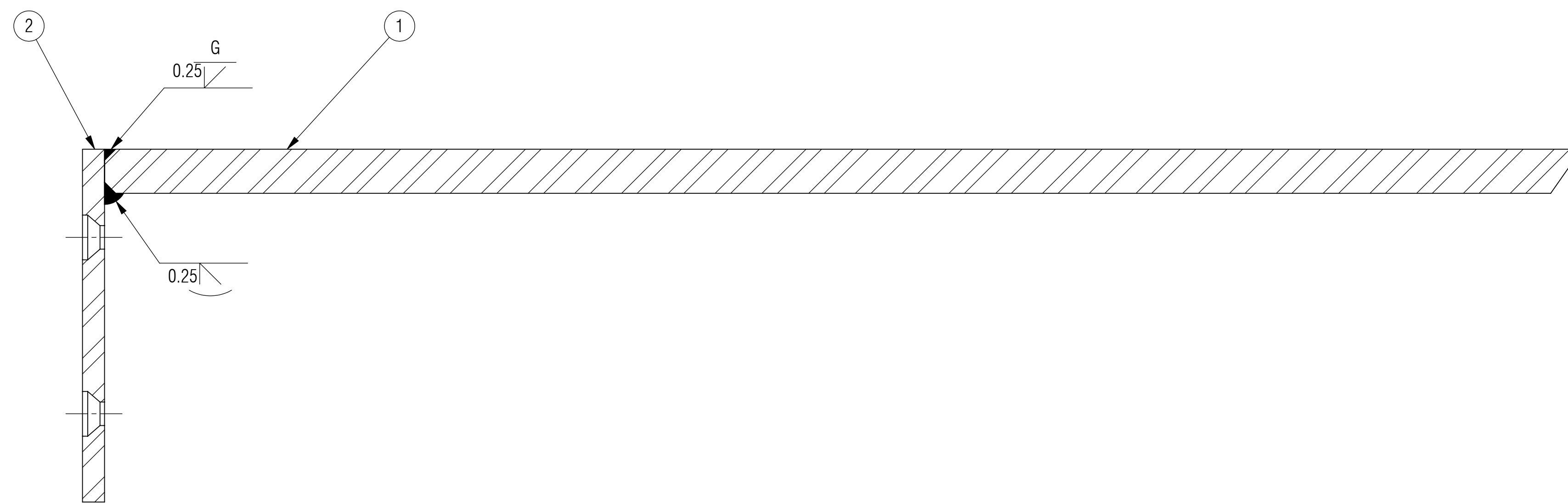
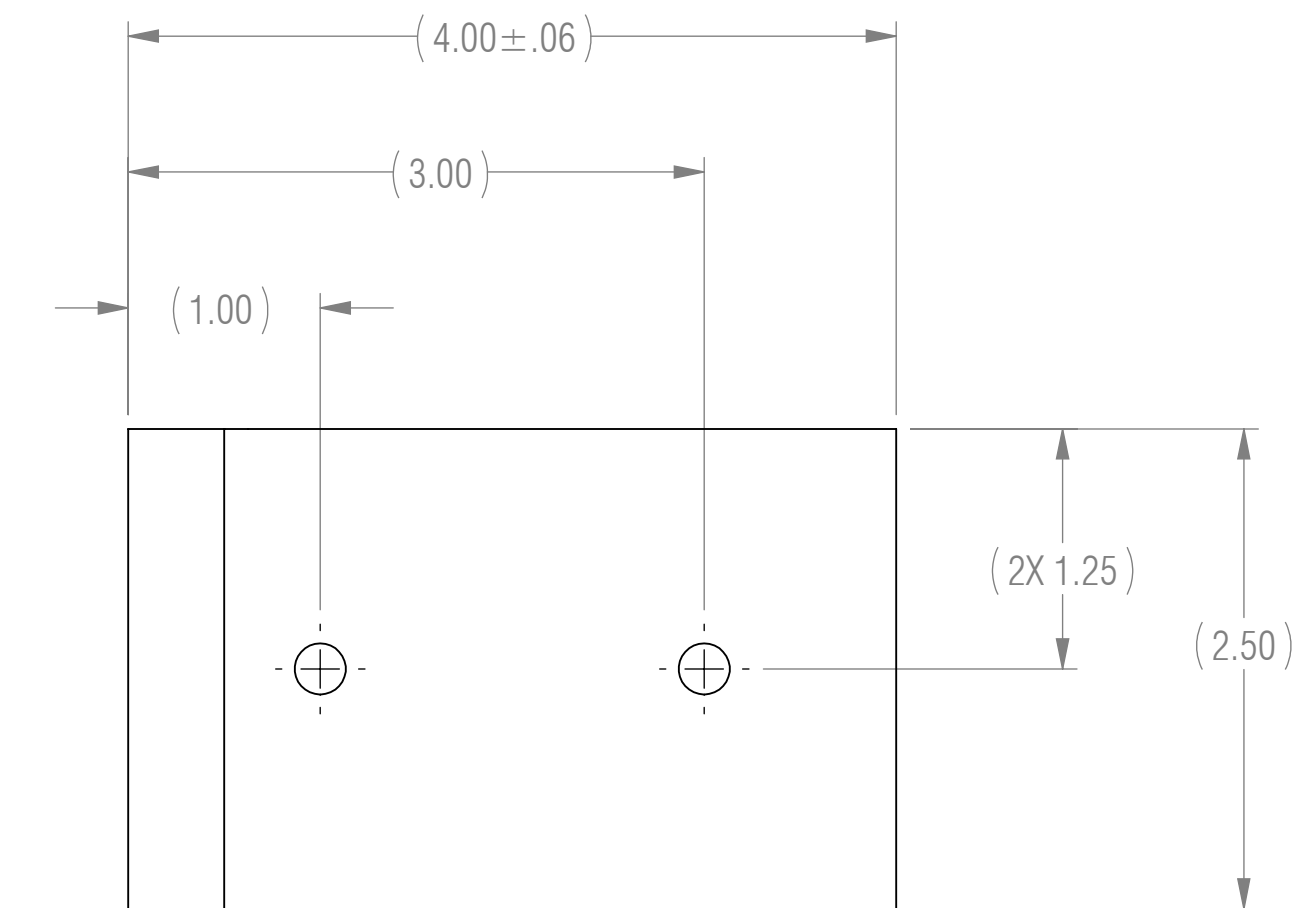
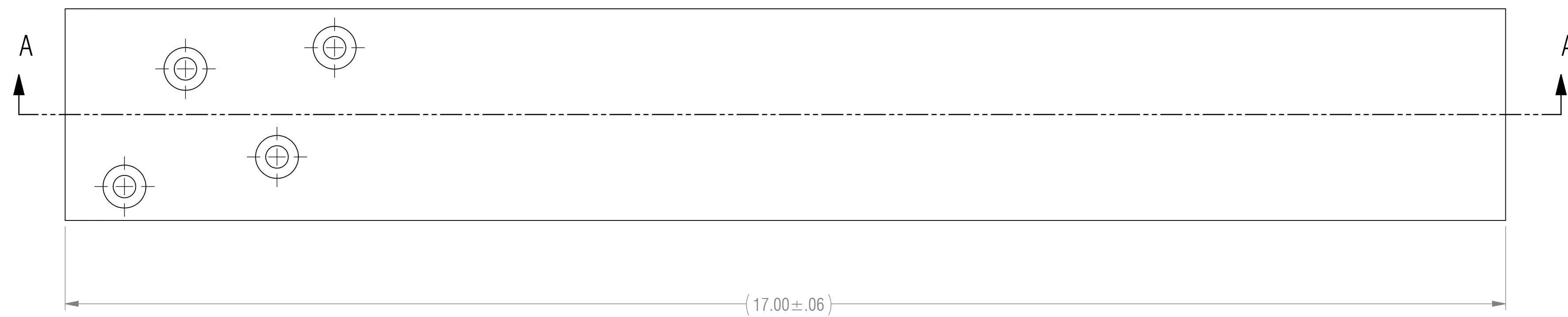
NOTES: UNLESS OTHERWISE SPECIFIED

- 1 MATERIAL: MATERIAL SPECIFIED AT INDIVIDUAL PART LEVEL
- 2 ALL DIMENSIONS ARE TO THEORETICAL SHARP.
- 3 REMOVE BURRS AND BREAK ALL SHARP EDGES .03 MAX.
- 4 ALL DIMENSIONS ARE IN INCHES UNLESS STATED OTHERWISE.
- 5 PARTS SHALL BE FREE OF GREASE AND CUTTING FLUID.
- 6 POWDER COAT PER MIL-PRF-24712A (TYPE 3, CLASS 3)



ISOMETRIC VIEW
FOR REFERENCE ONLY

REVISIONS				
ZONE	REV.	DESCRIPTION	DATE	APPROVED
	X1	DEVELOPMENT	03/13/2017	KRH



SECTION A-A

RELEASED

BOM TABLE			
ITEM NO.	PART NUMBER	DESCRIPTION	QTY.
1	H14H-16.75	HORIZONTAL SUPPORT, 1 ANGLE, 4 HOLES, 16.75 LENGTH	1
2	A-FL	FL FLANGE	1

<p>UNLESS OTHERWISE SPECIFIED: DIMENSIONS ARE IN INCHES</p> <p>TOLERANCES ARE:</p> <table border="0"> <tr> <td>.XX ± .01</td> <td>ANGLES</td> </tr> <tr> <td>.XXX ± .005</td> <td>XX° ± 1°</td> </tr> </table>	.XX ± .01	ANGLES	.XXX ± .005	XX° ± 1°	<p>ENGINEER</p> <p>ENGINEER</p> <p>ENGINEER</p> <p>CHECKED CAS 03/13/2017</p> <p>DRAWN KRH 03/13/2017</p> <p>MANAGER APPROVAL</p>	<p>DRAWING TITLE</p> <p>FORWARD L BRACKET</p>
	.XX ± .01	ANGLES				
	.XXX ± .005	XX° ± 1°				
	<p>INTERPRET DRAWINGS IN ACCORDANCE WITH:</p> <p>ASME Y14.100 ENGINEERING DRAWING PRACTICES</p> <p>ASME Y14.38 ABBREVIATIONS</p> <p>ASME Y14.5 DIMENSIONING AND TOLERANCING</p> <p>ASME Y14.6 SCREW THREAD REPRESENTATION</p> <p>ASME Y14.8 CASTINGS, FORGINGS & MOLDED PARTS</p> <p>AWS A2.4 WELDING SYMBOLS</p> <p>IEEE STD 315 SYMBOLS FOR ELECTRICAL AND ELECTRONIC DIAGRAMS</p>	<p>THE INFORMATION ON THIS DRAWING IS PROPRIETARY AND SHALL NOT BE DISCLOSED, USED, OR DUPLICATED FOR PROCUREMENT OR MANUFACTURING PURPOSES WITHOUT THE EXPRESS WRITTEN CONSENT OF CENTERLINE STEEL, LLC</p> <p>THIRD ANGLE PROJECTION</p>				
<p>USED ON</p> <p>APPLICATION</p>	<p>SIZE D</p> <p>CAGE CODE</p> <p>DRAWING NO. FLB-17</p> <p>REV X1</p> <p>SCALE 1:1</p> <p>SHEET 1 OF 1</p>					