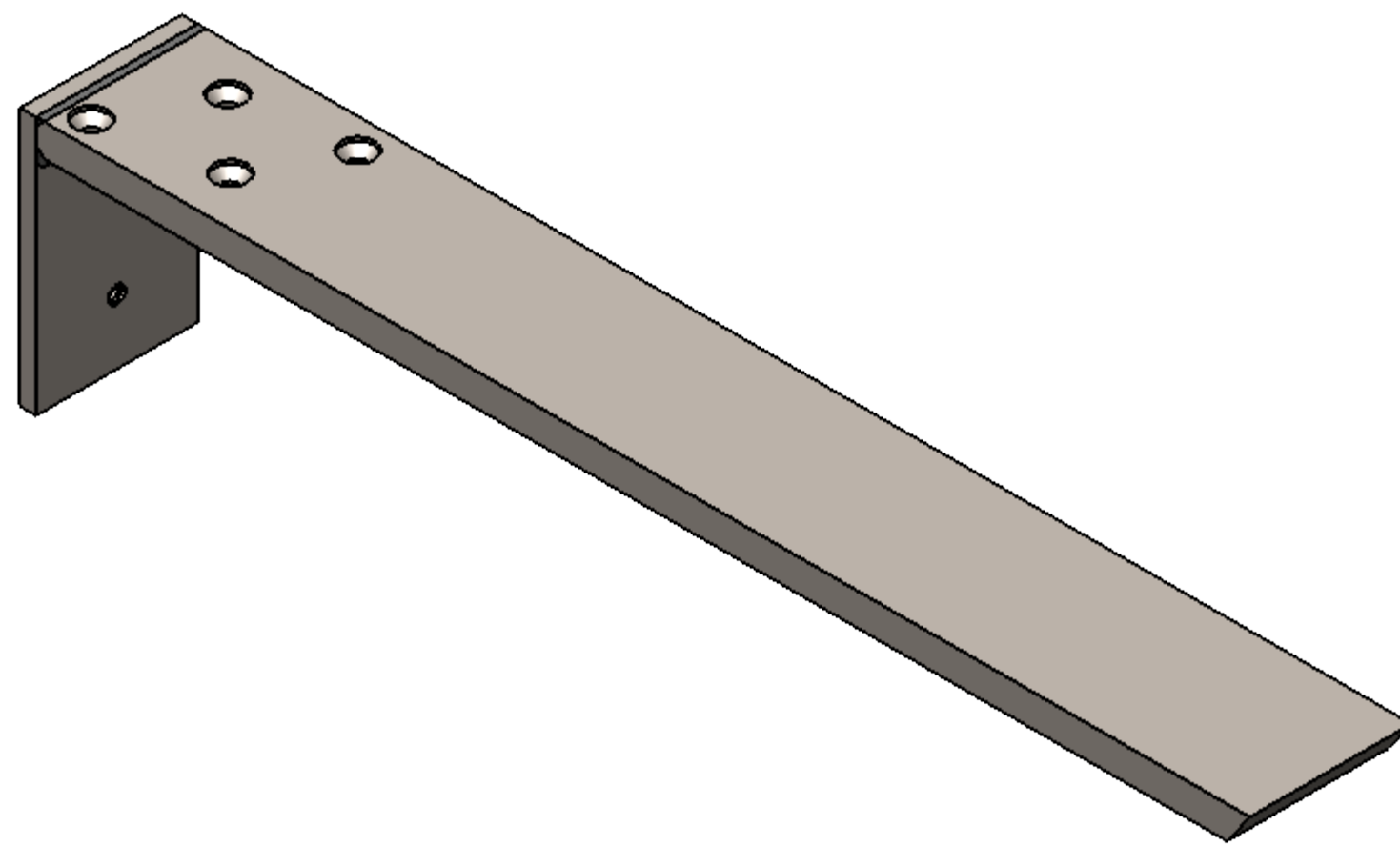


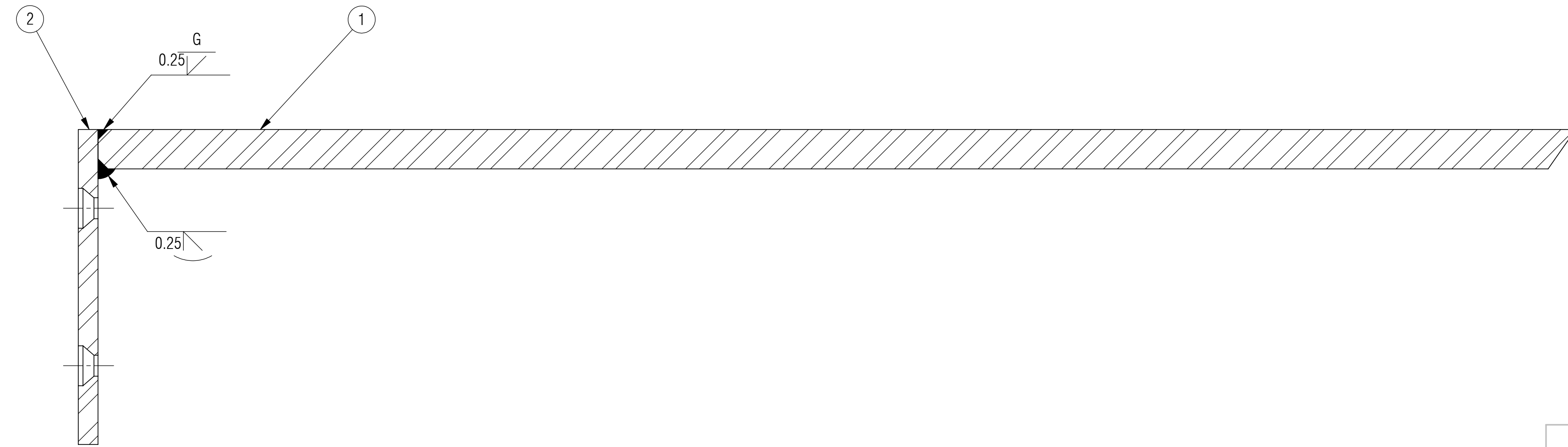
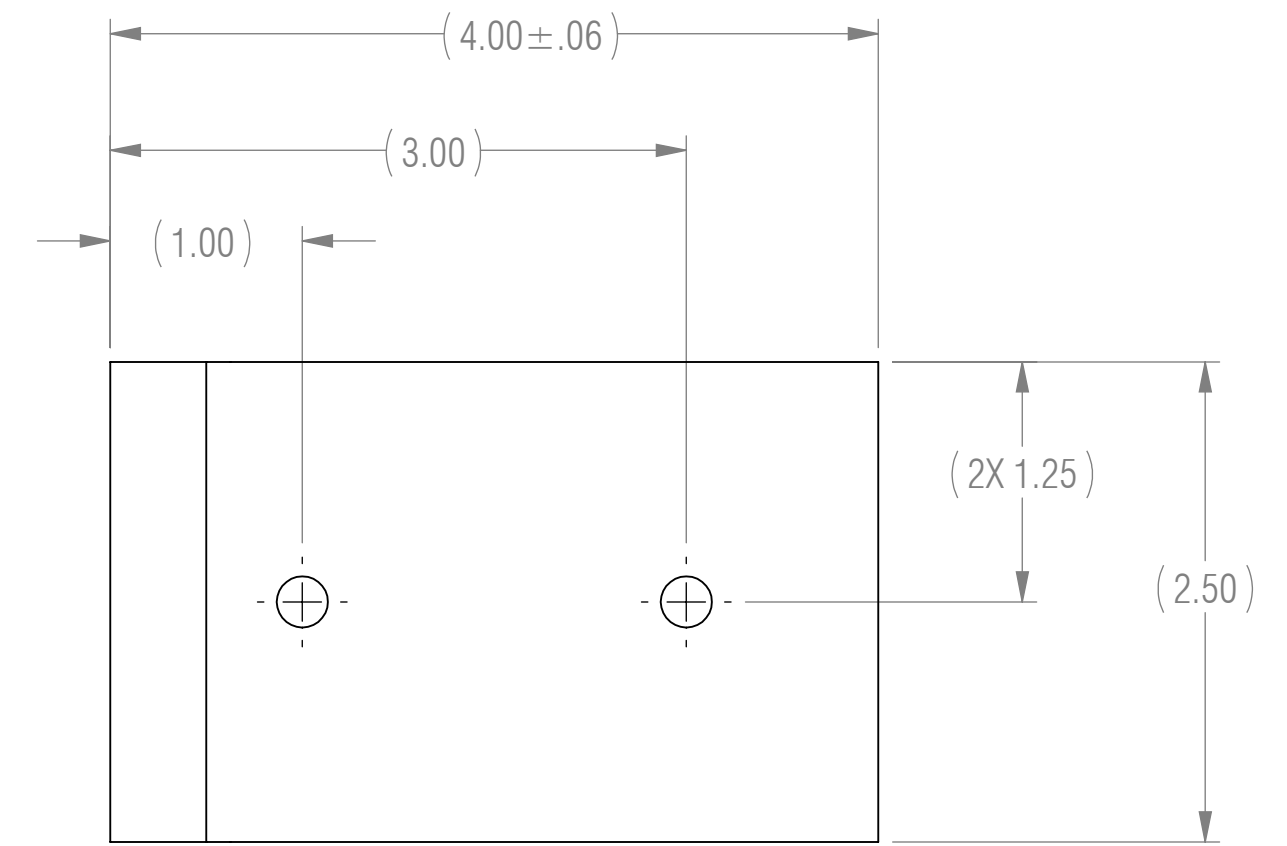
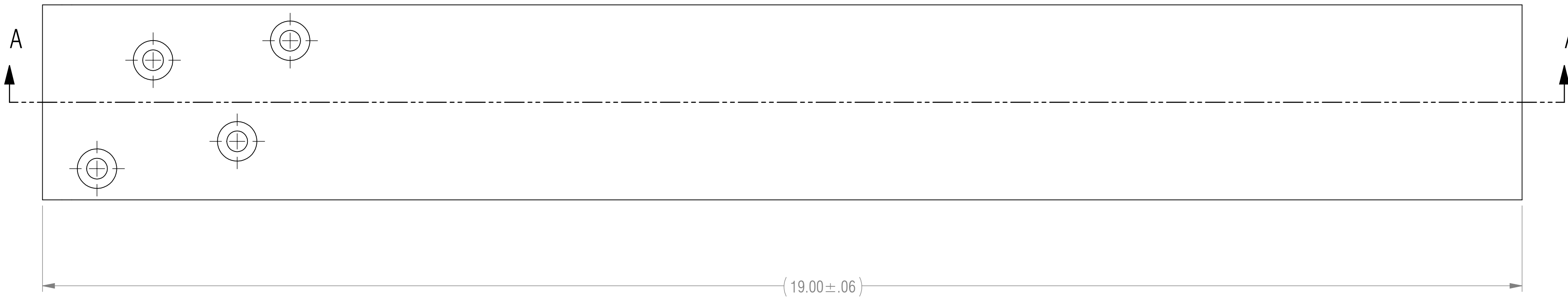
NOTES: UNLESS OTHERWISE SPECIFIED

- 1 MATERIAL: MATERIAL SPECIFIED AT INDIVIDUAL PART LEVEL
- 2 ALL DIMENSIONS ARE TO THEORETICAL SHARP.
- 3 REMOVE BURRS AND BREAK ALL SHARP EDGES .03 MAX.
- 4 ALL DIMENSIONS ARE IN INCHES UNLESS STATED OTHERWISE.
- 5 PARTS SHALL BE FREE OF GREASE AND CUTTING FLUID.
- 6 POWDER COAT PER MIL-PRF-24712A (TYPE 3, CLASS 3)



ISOMETRIC VIEW
FOR REFERENCE ONLY

REVISIONS				
ZONE	REV.	DESCRIPTION	DATE	APPROVED
	X1	DEVELOPMENT	03/13/2017	KRH



SECTION A-A

RELEASED

BOM TABLE			
ITEM NO.	PART NUMBER	DESCRIPTION	QTY.
1	H14H-18.75	HORIZONTAL SUPPORT, 1 ANGLE, 4 HOLES, 18.75 LENGTH	1
2	A-FL	FL FLANGE	1

UNLESS OTHERWISE SPECIFIED:
DIMENSIONS ARE IN INCHES

TOLERANCES ARE:

.XX ± .01	ANGLES
.XXX ± .005	XX° ± 1°

INTERPRET DRAWINGS IN ACCORDANCE WITH:

ASME Y14.100	ENGINEERING DRAWING PRACTICES
ASME Y14.38	ABBREVIATIONS
ASME Y14.5	DIMENSIONING AND TOLERANCING
ASME Y14.6	SCREW THREAD REPRESENTATION
ASME Y14.8	CASTINGS, FORGINGS & MOLDED PARTS
AWS A2.4	WELDING SYMBOLS
IEEE STD 315	SYMBOLS FOR ELECTRICAL AND ELECTRONIC DIAGRAMS

ENGINEER: _____
ENGINEER: _____
ENGINEER: _____
CHECKED: CAS 03/13/2017
DRAWN: KRH 03/13/2017
MANAGER APPROVAL: _____

THE INFORMATION ON THIS DRAWING IS PROPRIETARY AND SHALL NOT BE DISCLOSED, USED, OR DUPLICATED FOR PROCUREMENT OR MANUFACTURING PURPOSES WITHOUT THE EXPRESS WRITTEN CONSENT OF CENTERLINE STEEL, LLC

THIRD ANGLE PROJECTION

DRAWING TITLE
FORWARD L BRACKET

SIZE D	CAGE CODE	DRAWING NO. FLB-19	REV X1
SCALE 1:1		SHEET 1 OF 1	