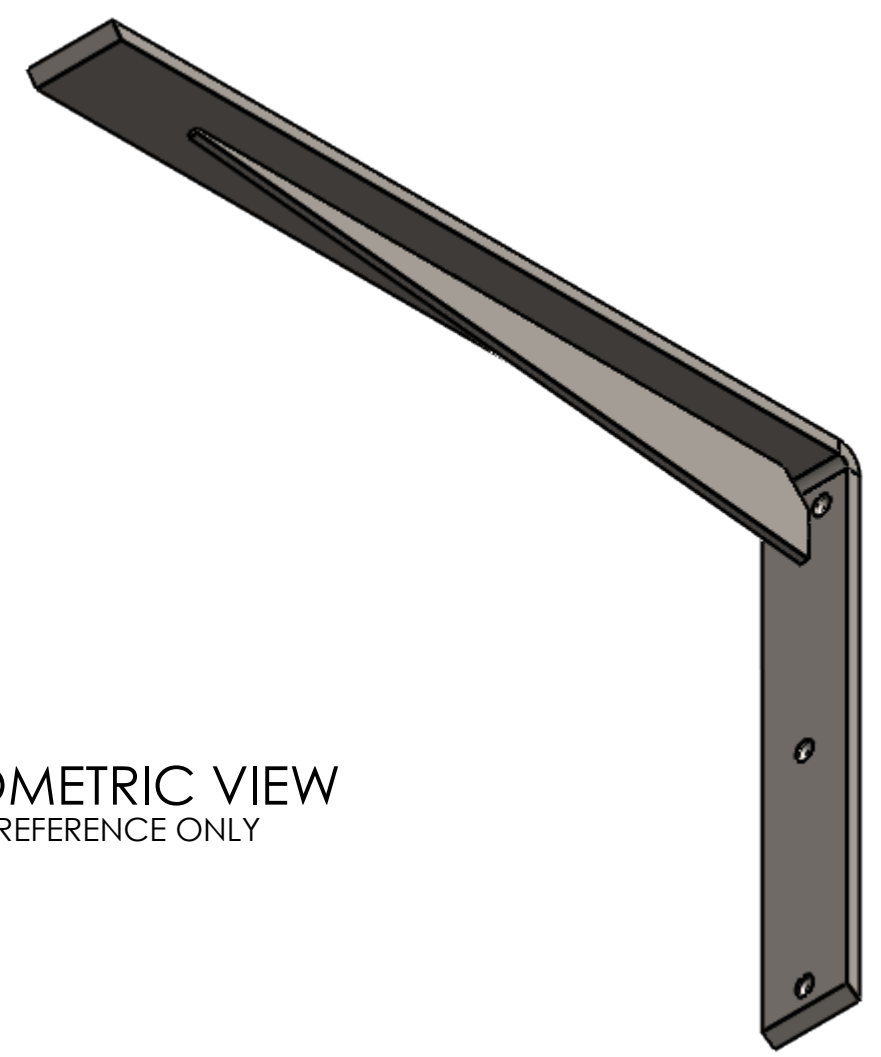
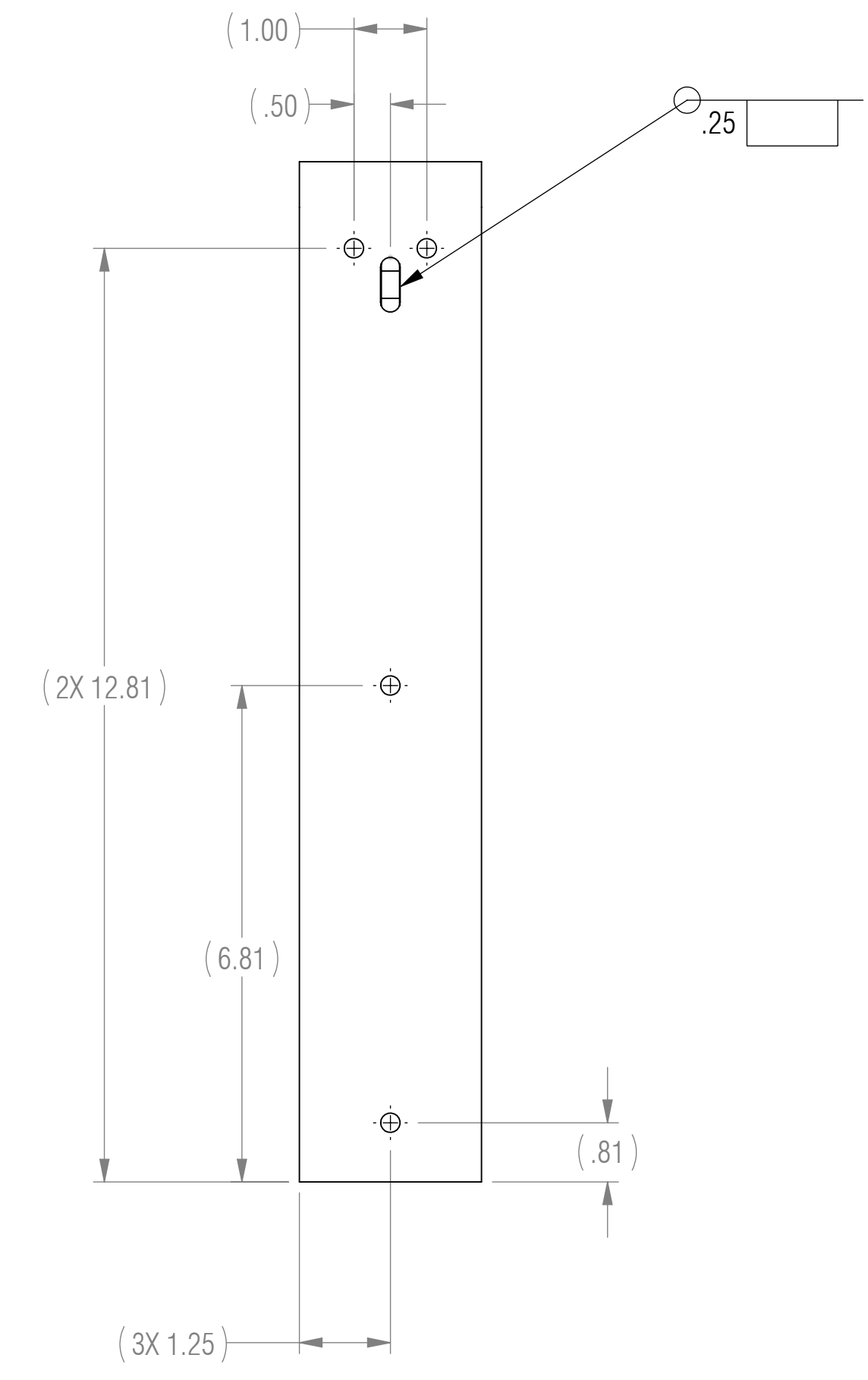
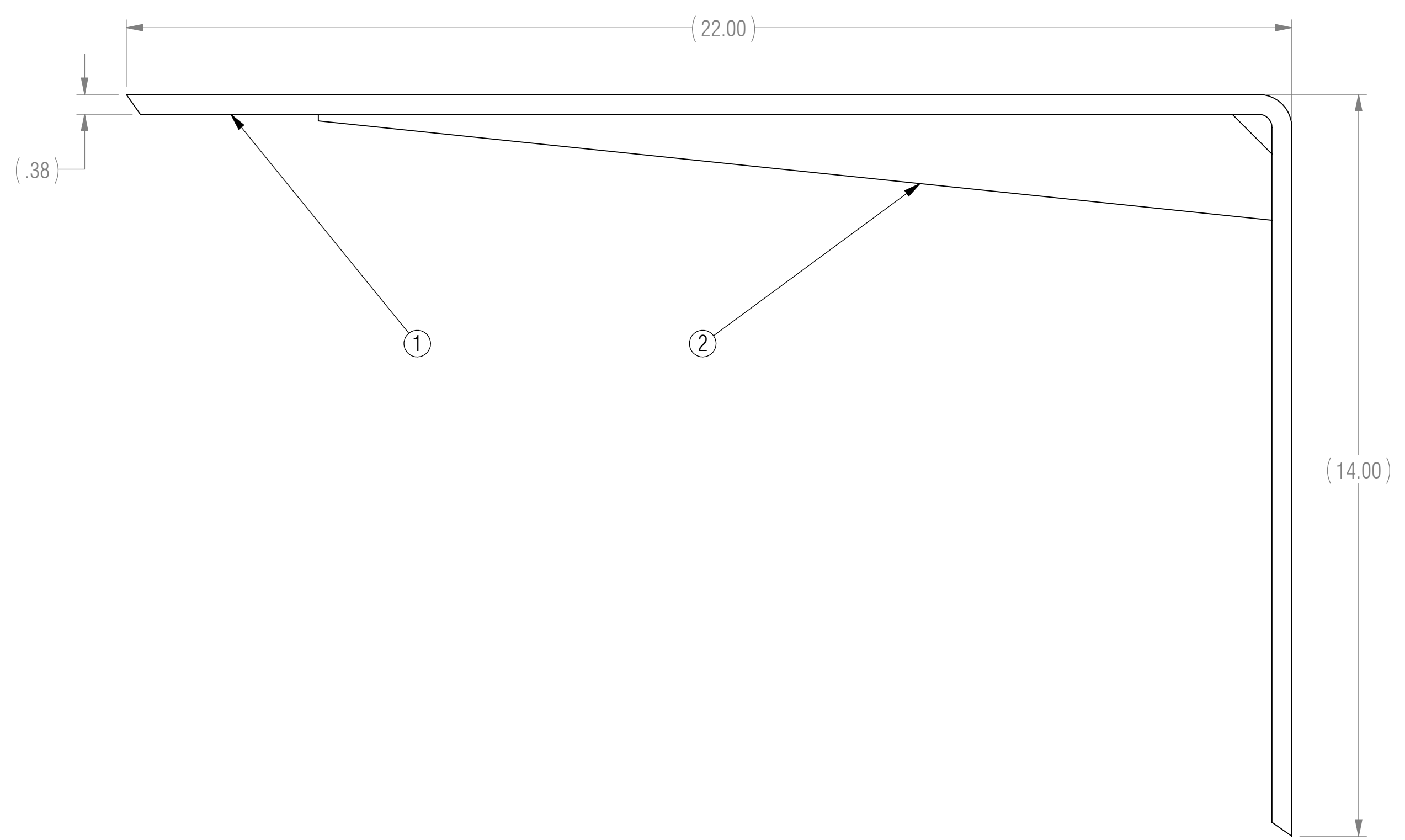
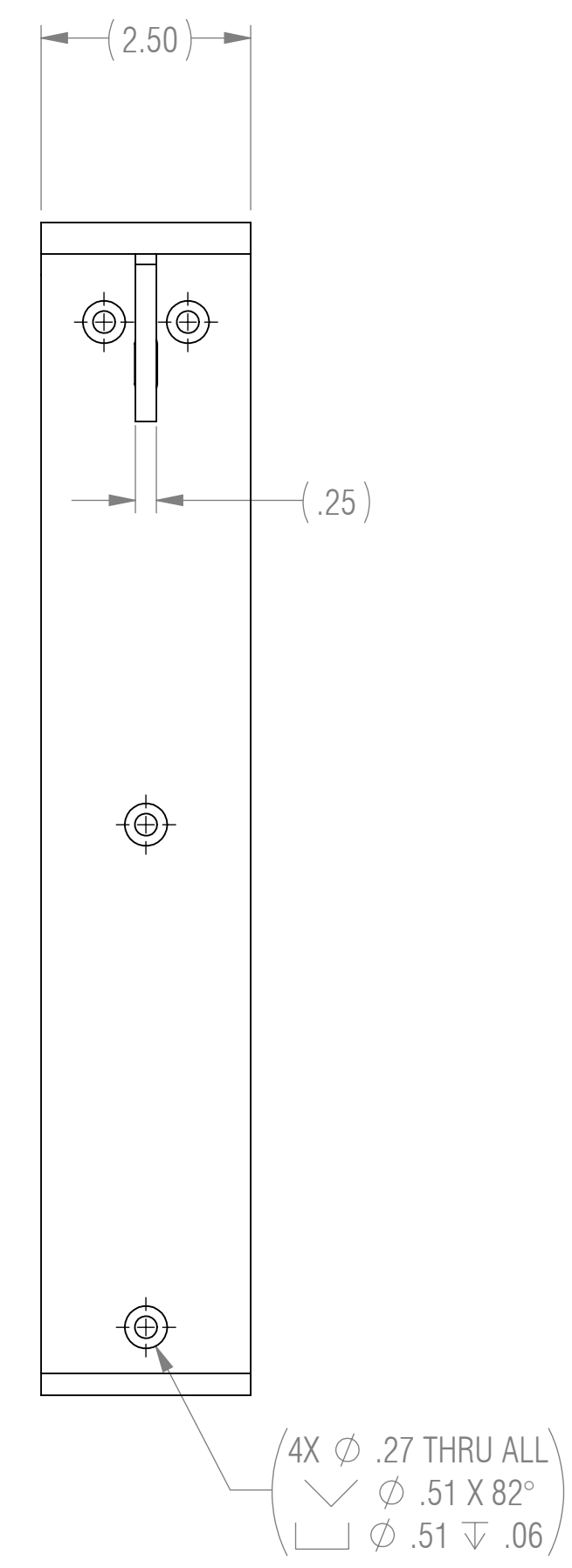
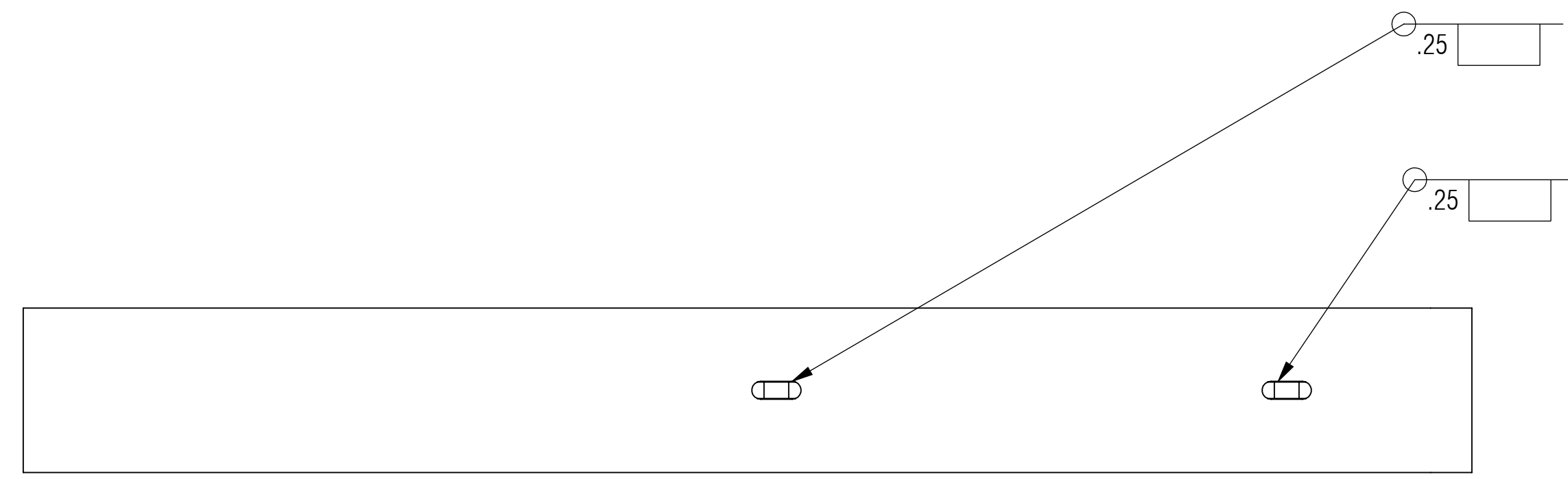


NOTES: UNLESS OTHERWISE SPECIFIED

- 1 MATERIAL: MATERIAL SPECIFIED AT INDIVIDUAL PART LEVEL.
- 2 ALL DIMENSIONS ARE TO THEORETICAL SHARP.
- 3 REMOVE BURRS AND BREAK ALL SHARP EDGES .03 MAX.
- 4 ALL DIMENSIONS ARE IN INCHES UNLESS STATED OTHERWISE.
- 5 PARTS SHALL BE FREE OF GREASE AND CUTTING FLUID.
- 6 POWDER COAT PER MIL-PRF-24712A (TYPE 3, CLASS 3)

REVISIONS				
ZONE	REV.	DESCRIPTION	DATE	APPROVED
	X1	DEVELOPMENT	12/10/2018	KRH



ISOMETRIC VIEW FOR REFERENCE ONLY

RELEASED

BOM TABLE			
ITEM NO.	PART NUMBER	DESCRIPTION	QTY.
1	FMM-22X14	FRONT MOUNTING MODIFIED	1
2	G-18	GUSSET	1

UNLESS OTHERWISE SPECIFIED: DIMENSIONS ARE IN INCHES	ENGINEER		
	ENGINEER		
TOLERANCES ARE:	CHECKED	CAS	12/10/2018
	DRAWN	KRH	12/10/2018
INTERPRET DRAWINGS IN ACCORDANCE WITH:	MANAGER APPROVAL		
	ASME Y14.100	ENGINEERING DRAWING PRACTICES	
ASME Y14.38	ABBREVIATIONS		
ASME Y14.5	DIMENSIONING AND TOLERANCING		
ASME Y14.6	SCREW THREAD REPRESENTATION		
ASME Y14.8	CASTINGS, FORGINGS & MOLDED PARTS		
AWS A2.4	WELDING SYMBOLS		
IEEE STD 315	SYMBOLS FOR ELECTRICAL AND ELECTRONIC DIAGRAMS		
USED ON APPLICATION	THE INFORMATION ON THIS DRAWING IS PROPRIETARY AND SHALL NOT BE DISCLOSED, USED, OR DUPLICATED FOR PROCUREMENT OR MANUFACTURING PURPOSES WITHOUT THE EXPRESS WRITTEN CONSENT OF CENTERLINE STEEL, LLC		
	THIRD ANGLE PROJECTION		
DRAWING TITLE		SIZE	REV
FRONT MOUNTING PLUS		D	X1
CAGE CODE		DRAWING NO	
		FMP-22X14	
SCALE		SHEET 1 OF 1	
1:2			



FRONT MOUNTING PLUS

SIZE D
SCALE 1:2
DRAWING NO FMP-22X14
REV X1
SHEET 1 OF 1