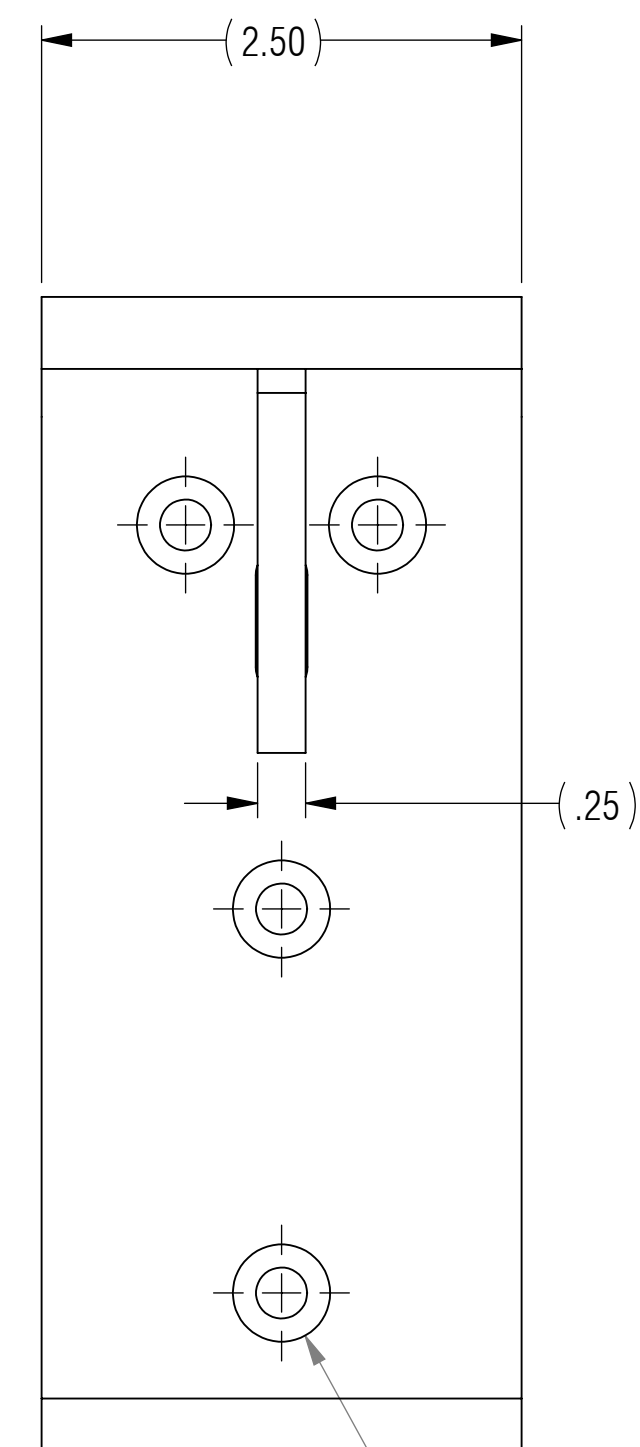
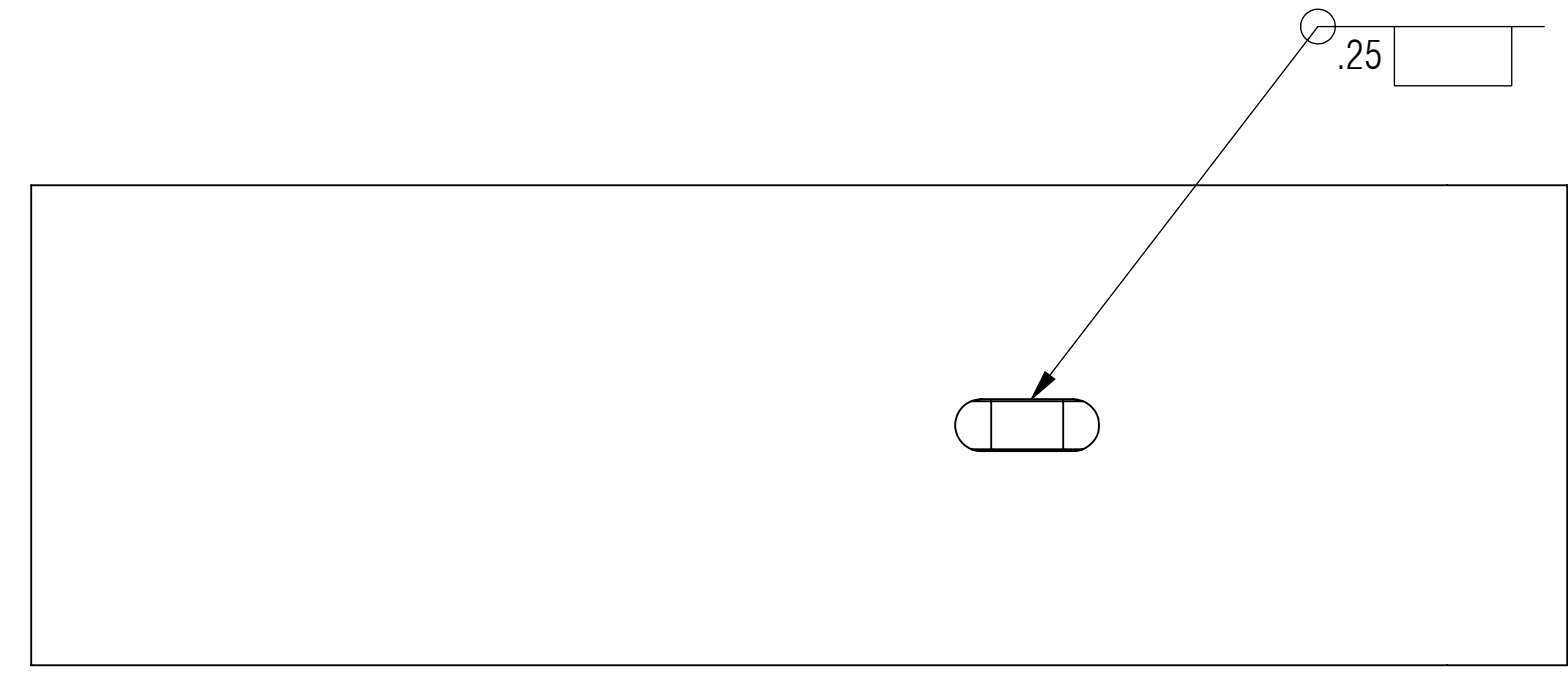


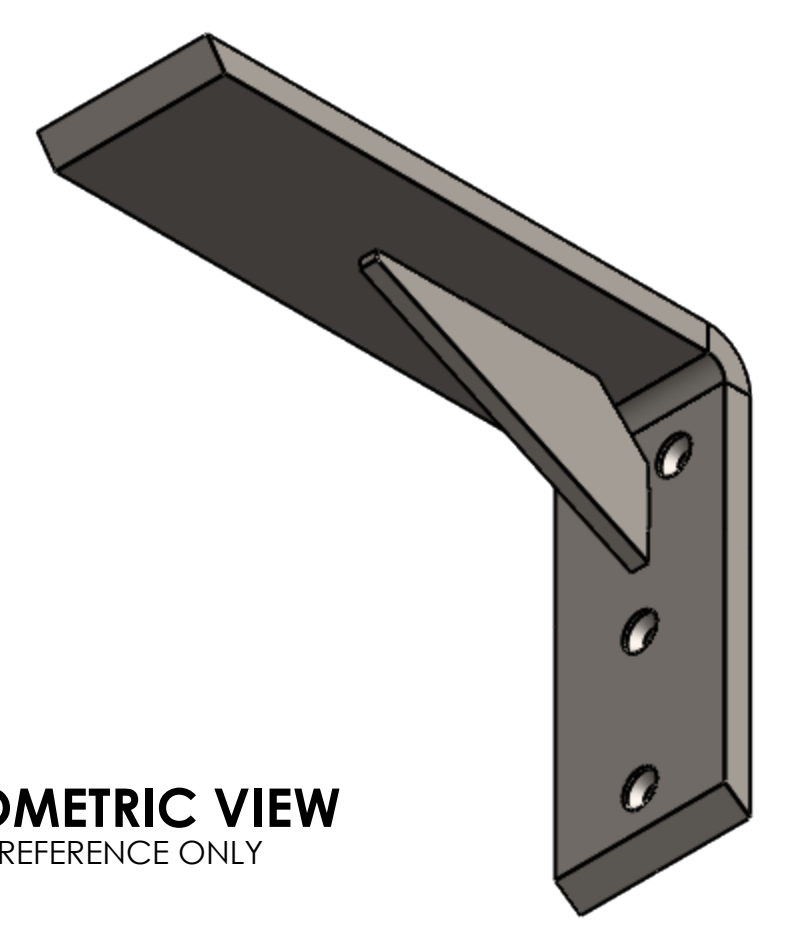
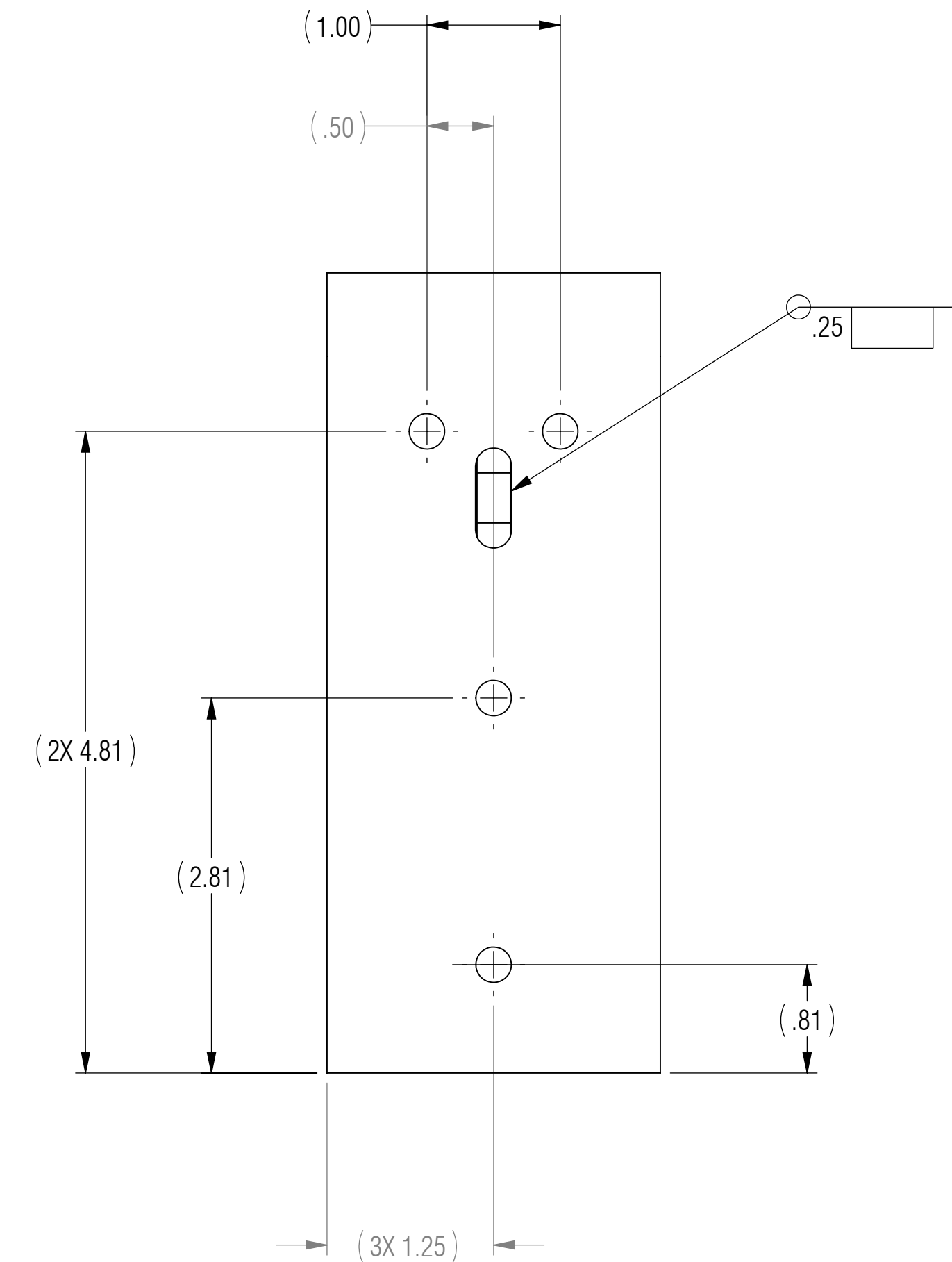
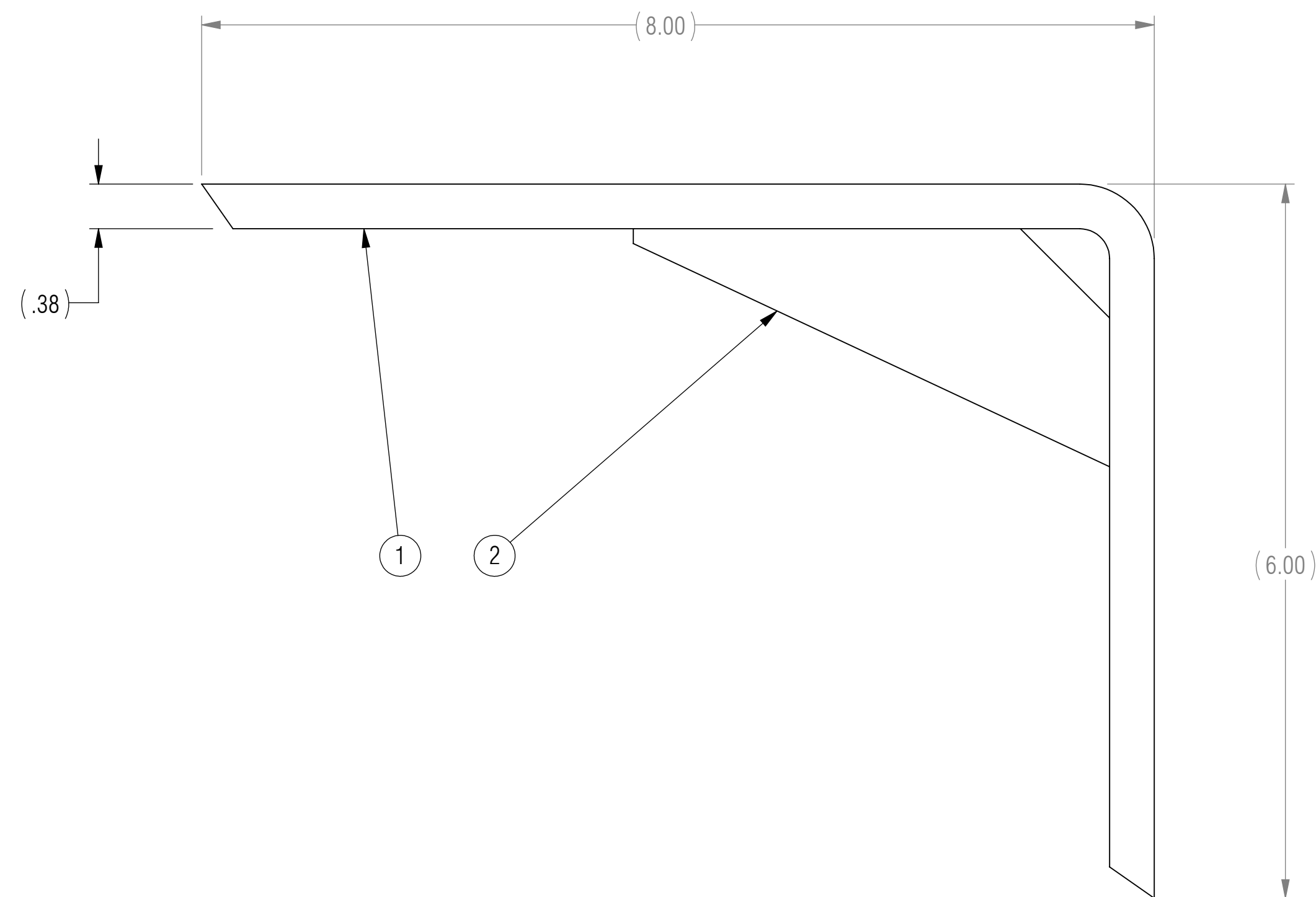
REVISION STATUS - ALL SHEETS ARE THE SAME REVISION				
ZONE	REV.	DESCRIPTION	DATE	APPROVED
	X1	DEVELOPMENT	02/14/2017	KRH

NOTES: UNLESS OTHERWISE SPECIFIED

- 1 MATERIAL: MATERIAL SPECIFIED AT INDIVIDUAL PART LEVEL
- 2 ALL DIMENSIONS ARE TO THEORETICAL SHARP.
- 3 REMOVE BURRS AND BREAK ALL SHARP EDGES .03 MAX.
- 4 ALL DIMENSIONS ARE IN INCHES UNLESS STATED OTHERWISE.
- 5 PARTS SHALL BE FREE OF GREASE AND CUTTING FLUID.
- 6 POWDER COAT PER MIL-PRF-24712A (TYPE 3, CLASS 3)



(4X ϕ .27 THRU ALL)
 \checkmark ϕ .51 X 82°
 \square ϕ .51 ∇ .06



ISOMETRIC VIEW
FOR REFERENCE ONLY

BOM TABLE			
ITEM NO.	PART NUMBER	DESCRIPTION	QTY.
1	FMM-8X6	FRONT MOUNTING MODIFIED	1
2	G-04	GUSSET	1

UNLESS OTHERWISE SPECIFIED: DIMENSIONS ARE IN INCHES		ENGINEER		
TOLERANCES ARE:		ENGINEER		
ANGLES		ENGINEER		
.XX ± .01	XX° ± 1°	CHECKED	CAS 02/14/2017	
.XXX ± .005		DRAWN	KRH 02/14/2017	
INTERPRET DRAWINGS IN ACCORDANCE WITH:		MANAGER APPROVAL		DRAWING TITLE
ASME Y14.100 ENGINEERING DRAWING PRACTICES	ASME Y14.38 ABBREVIATIONS	THE INFORMATION ON THIS DRAWING IS PROPRIETARY AND SHALL NOT BE DISCLOSED, USED, OR DUPLICATED FOR PROCUREMENT OR MANUFACTURING PURPOSES WITHOUT THE EXPRESS WRITTEN CONSENT OF CENTERLINE STEEL, LLC		FRONT MOUNTING PLUS
ASME Y14.5 DIMENSIONING AND TOLERANCING	ASME Y14.6 SCREW THREAD REPRESENTATION	THIRD ANGLE PROJECTION		SIZE D
ASME Y14.8 CASTINGS, FORGINGS & MOLDED PARTS	AWS A2.4 WELDING SYMBOLS			CAGE CODE
IEEE STD 315 SYMBOLS FOR ELECTRICAL AND ELECTRONIC DIAGRAMS				DRAWING NO
USED ON APPLICATION				FMP-8X6
				REV X1
				SCALE 1:1
				SHEET 1 OF 1

RELEASED