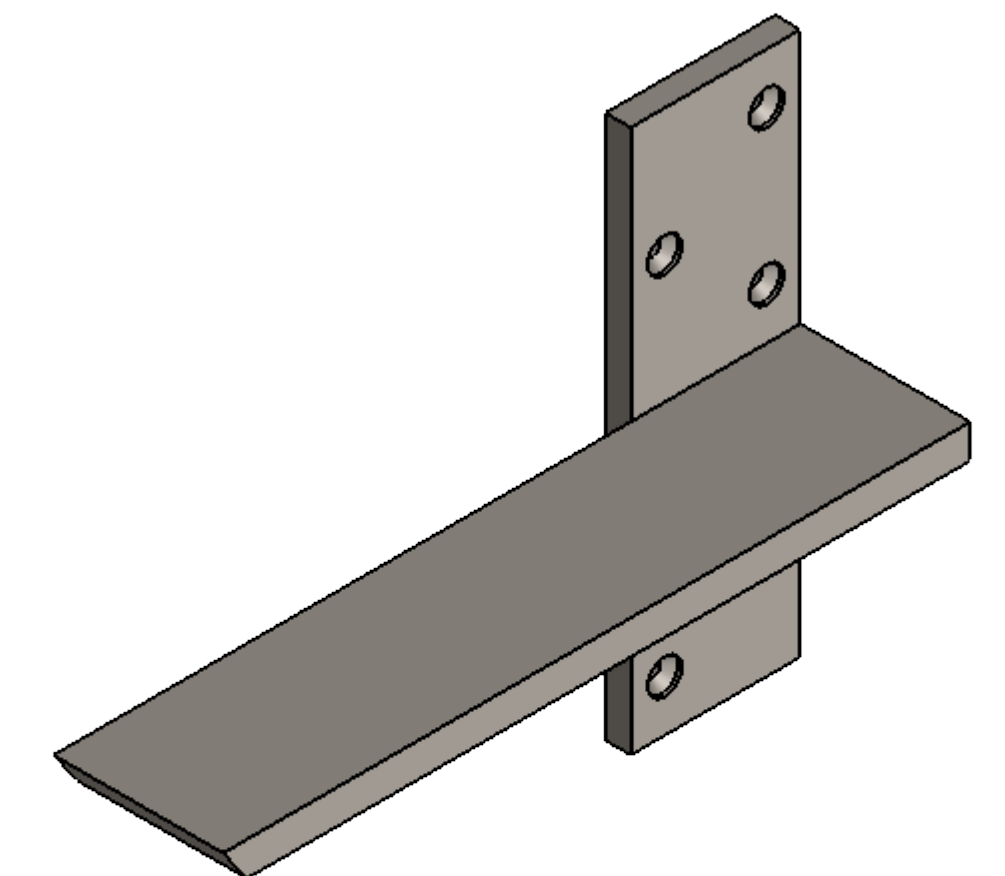
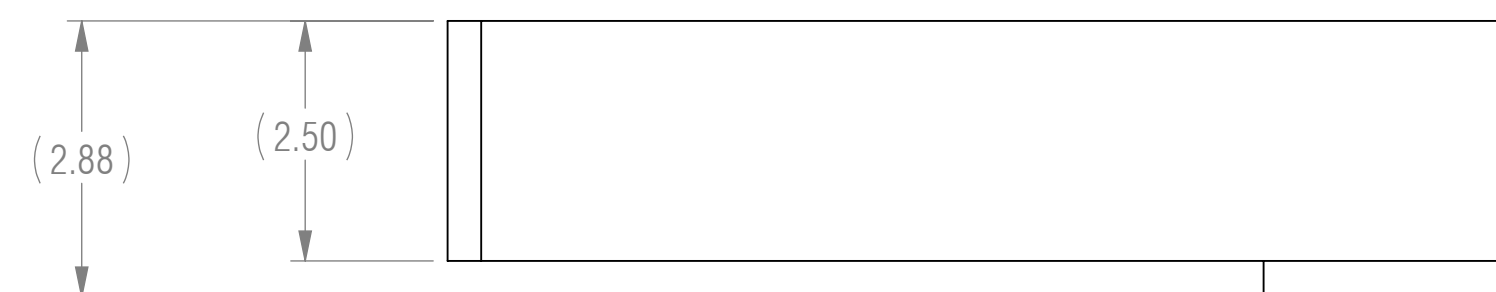
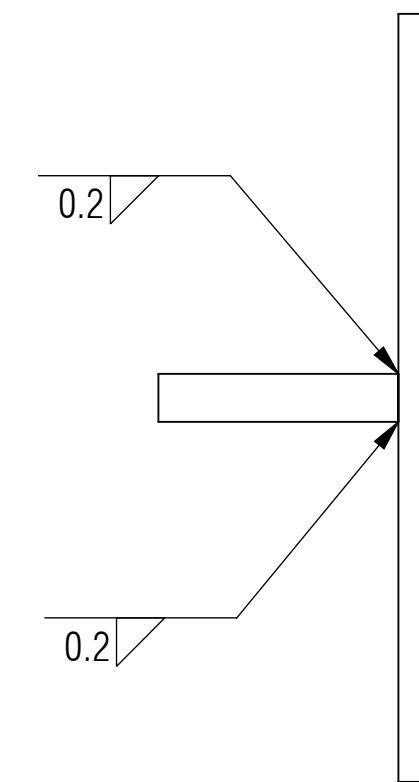
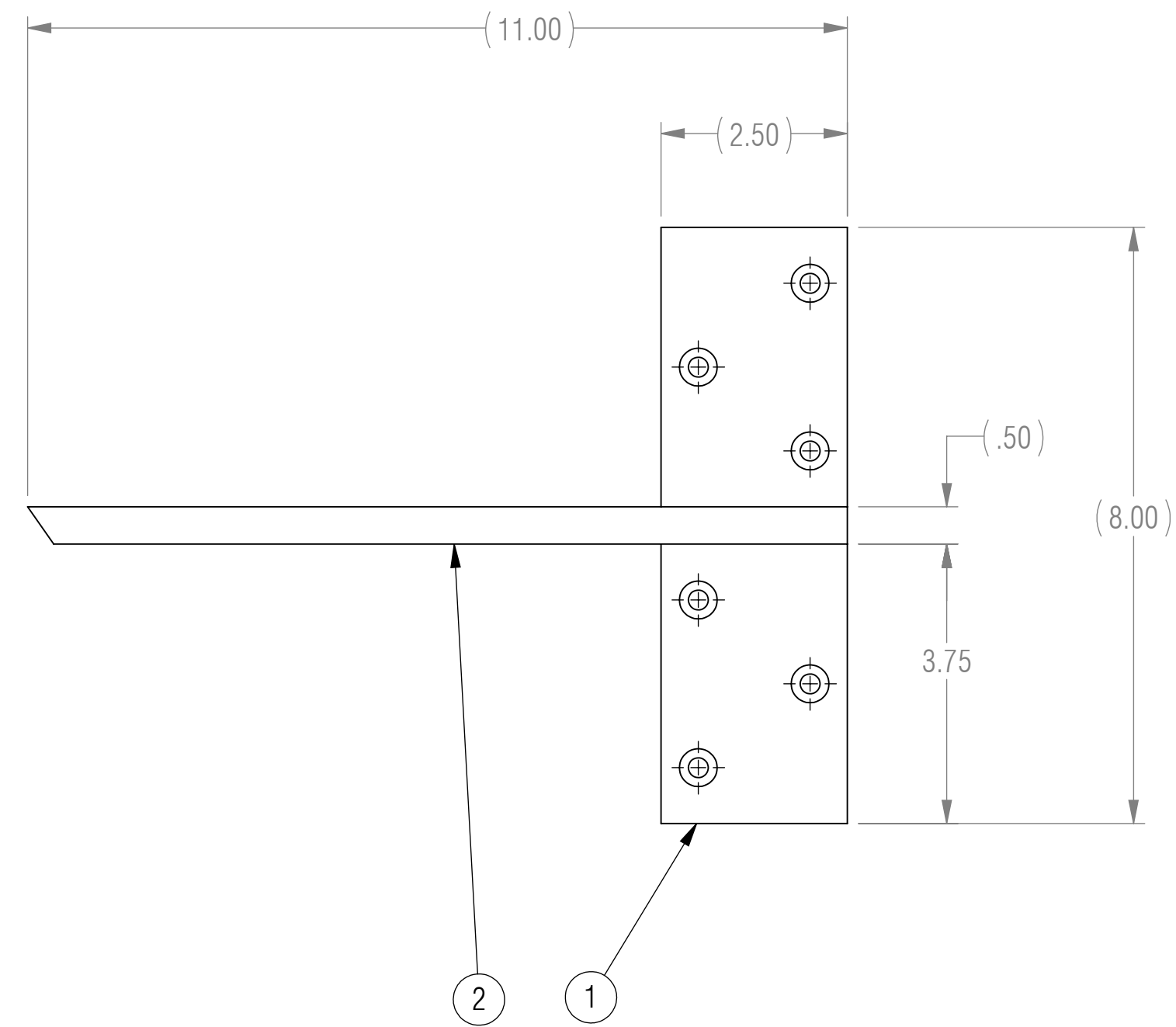


NOTES: UNLESS OTHERWISE SPECIFIED

- 1. MATERIAL: MATERIAL SPECIFIED AT INDIVIDUAL PART LEVEL
- 2. ALL DIMENSIONS ARE TO THEORETICAL SHARP.
- 3. REMOVE BURRS AND BREAK ALL SHARP EDGES .03 MAX.
- 4. ALL DIMENSIONS ARE IN INCHES UNLESS STATED OTHERWISE.
- 5. PARTS SHALL BE FREE OF GREASE AND CUTTING FLUID.
- 6. POWDER COAT PER MIL-PRF-24712A (TYPE 3, CLASS 3)

REVISIONS				
ZONE	REV.	DESCRIPTION	DATE	APPROVED
	X1	DEVELOPMENT	03/14/2017	KRH



ISOMETRIC VIEW FOR REFERENCE ONLY

BOM TABLE			
ITEM NO.	PART NUMBER	DESCRIPTION	QTY.
1	A-FWM	FWM FLANGE	1
2	HFWM-11.00	HORIZONTAL FLOATING WALL MOUNT	1

RELEASED

UNLESS OTHERWISE SPECIFIED: DIMENSIONS ARE IN INCHES		ENGINEER		
TOLERANCES ARE:		ENGINEER		
.XX ± .01	ANGLES XX° ± 1°	ENGINEER		
.XXX ± .005		CHECKED	CAS	03/14/2017
		DRAWN	KRH	03/14/2017
INTERPRET DRAWINGS IN ACCORDANCE WITH:		MANAGER APPROVAL		
ASME Y14.100	ENGINEERING DRAWING PRACTICES	THE INFORMATION ON THIS DRAWING IS PROPRIETARY AND SHALL NOT BE DISCLOSED, USED, OR DUPLICATED FOR PROCUREMENT OR MANUFACTURING PURPOSES WITHOUT THE EXPRESS WRITTEN CONSENT OF CENTERLINE STEEL, LLC		
ASME Y14.38	ABBREVIATIONS	THIRD ANGLE PROJECTION		
ASME Y14.5	DIMENSIONING AND TOLERANCING			
ASME Y14.6	SCREW THREAD REPRESENTATION			
ASME Y14.8	CASTINGS, FORGINGS & MOLDED PARTS	DRAWING TITLE		
AWS A2.4	WELDING SYMBOLS	FLOATING WALL MOUNT BRACKET		
IEEE STD 315	SYMBOLS FOR ELECTRICAL AND ELECTRONIC DIAGRAMS	SIZE	CAGE CODE	DRAWING NO
		D		FWM-L11
USED ON	APPLICATION	SCALE	1:2	REV X1
				SHEET 1 OF 1

