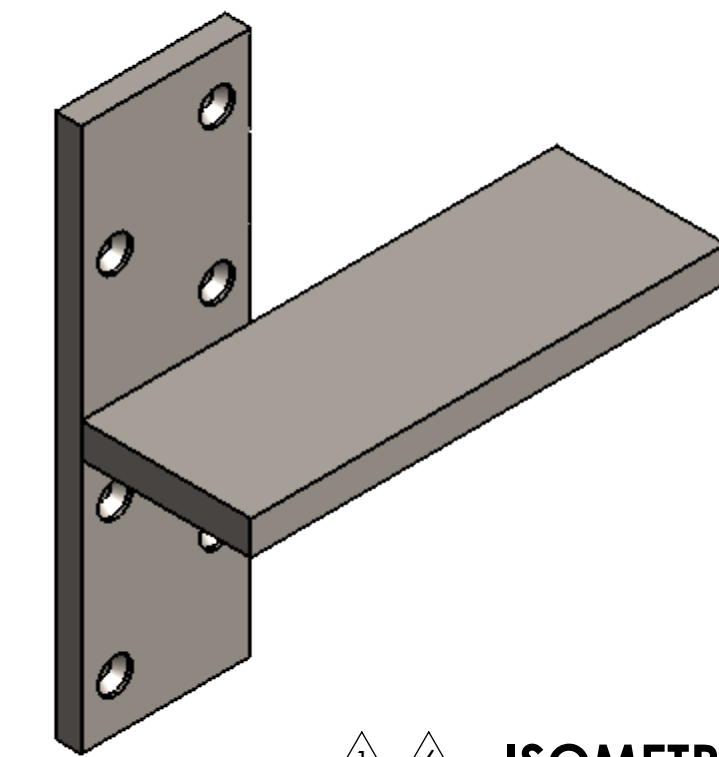
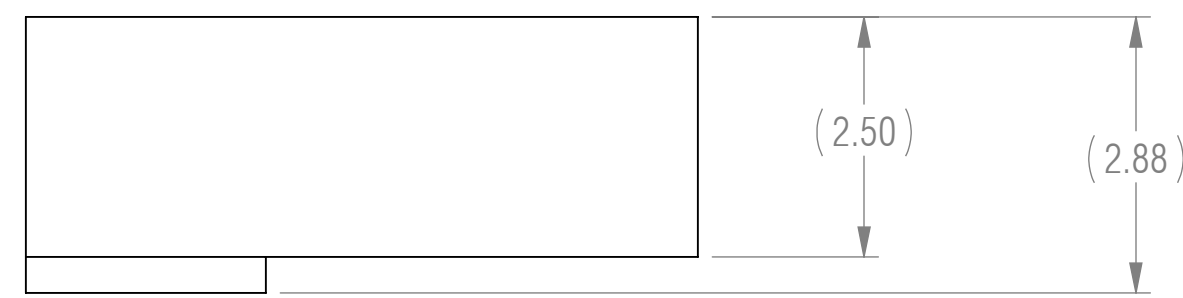
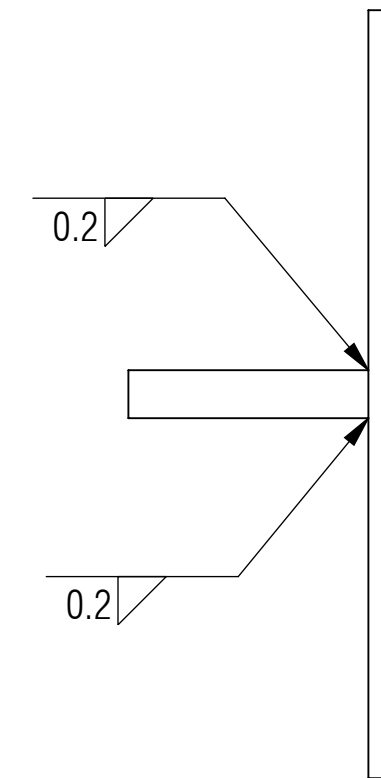
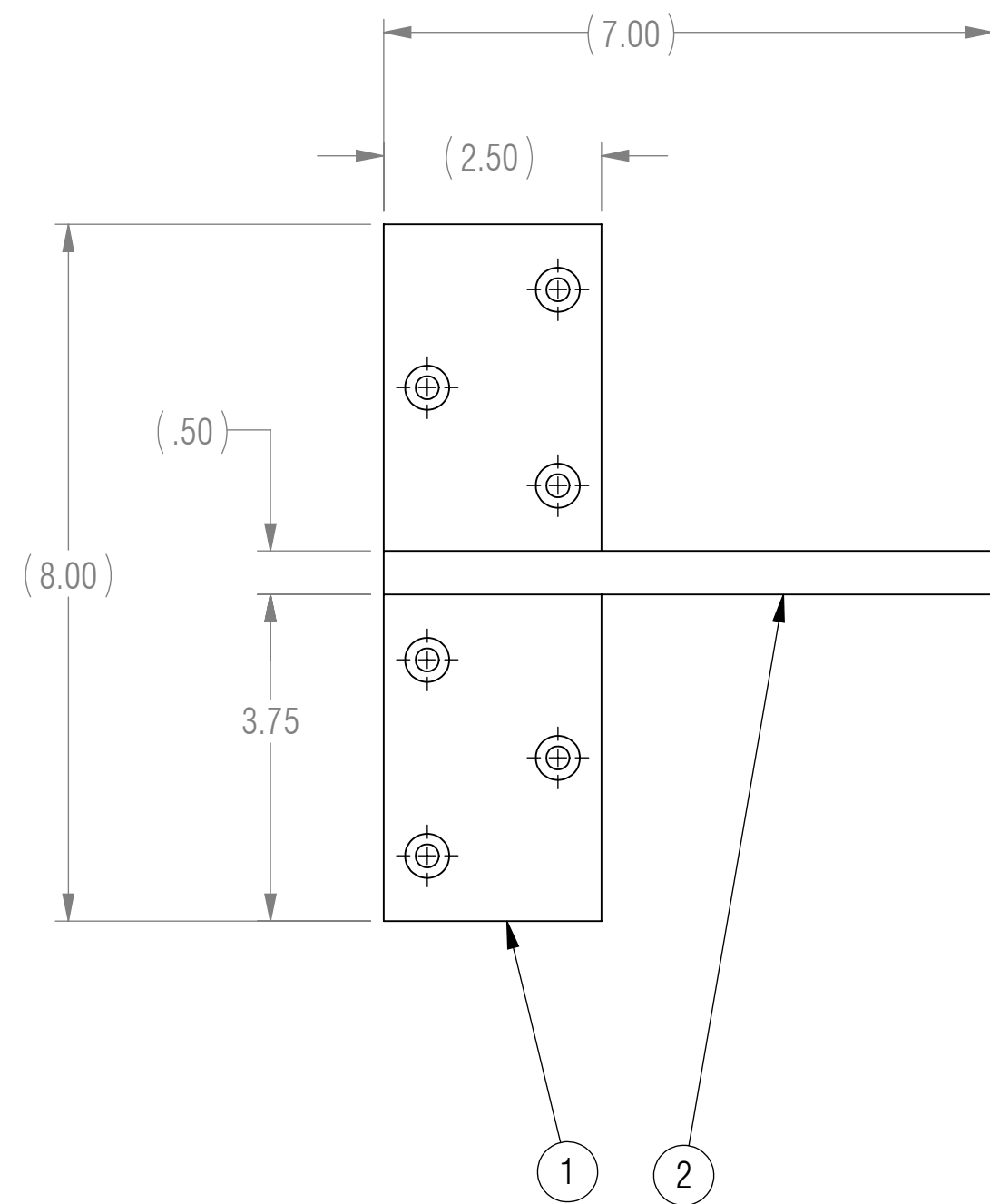


NOTES: UNLESS OTHERWISE SPECIFIED

- 1. MATERIAL: MATERIAL SPECIFIED AT INDIVIDUAL PART LEVEL
- 2. ALL DIMENSIONS ARE TO THEORETICAL SHARP.
- 3. REMOVE BURRS AND BREAK ALL SHARP EDGES .03 MAX.
- 4. ALL DIMENSIONS ARE IN INCHES UNLESS STATED OTHERWISE.
- 5. PARTS SHALL BE FREE OF GREASE AND CUTTING FLUID.
- 6. POWDER COAT PER MIL-PRF-24712A (TYPE 3, CLASS 3)

| REVISIONS | | | | |
|-----------|------|-------------|------------|----------|
| ZONE | REV. | DESCRIPTION | DATE | APPROVED |
| | X1 | DEVELOPMENT | 03/21/2017 | KRH |



ISOMETRIC VIEW
FOR REFERENCE ONLY

| BOM TABLE | | | |
|-----------|-------------|---|------|
| ITEM NO. | PART NUMBER | DESCRIPTION | QTY. |
| 1 | A-FWM | FWM FLANGE | 1 |
| 2 | H00H-7.00 | HORIZONTAL SUPPORT, 0 ANGLE, 0 HOLES, VARIABLE LENGTH | 1 |

RELEASED

| | | | | |
|--|----------|---|----------------|---|
| UNLESS OTHERWISE SPECIFIED: DIMENSIONS ARE IN INCHES | | ENGINEER | | |
| TOLERANCES ARE: | | ENGINEER | | |
| ANGLES | | CHECKED | CAS 03/21/2017 | |
| .XX ± .01 | XX° ± 1° | DRAWN | KRH 03/21/2017 | |
| .XXX ± .005 | | MANAGER APPROVAL | | |
| INTERPRET DRAWINGS IN ACCORDANCE WITH: | | THE INFORMATION ON THIS DRAWING IS PROPRIETARY AND SHALL NOT BE DISCLOSED, USED, OR DUPLICATED FOR PROCUREMENT OR MANUFACTURING PURPOSES WITHOUT THE EXPRESS WRITTEN CONSENT OF CENTERLINE STEEL, LLC | | |
| ASME Y14.100 ENGINEERING DRAWING PRACTICES ASME Y14.38 ABBREVIATIONS ASME Y14.5 DIMENSIONING AND TOLERANCING ASME Y14.6 SCREW THREAD REPRESENTATION ASME Y14.8 CASTINGS, FORGINGS & MOLDED PARTS AWS A2.4 WELDING SYMBOLS IEEE STD 315 SYMBOLS FOR ELECTRICAL AND ELECTRONIC DIAGRAMMS | | THIRD ANGLE PROJECTION | | DRAWING TITLE FLOATING WALL MOUNT BRACKET |
| USED ON | | | | SIZE D SCALE 1:2 |
| APPLICATION | | | | DRAWING NO. FWM-U07 REV X1 SHEET 1 OF 1 |