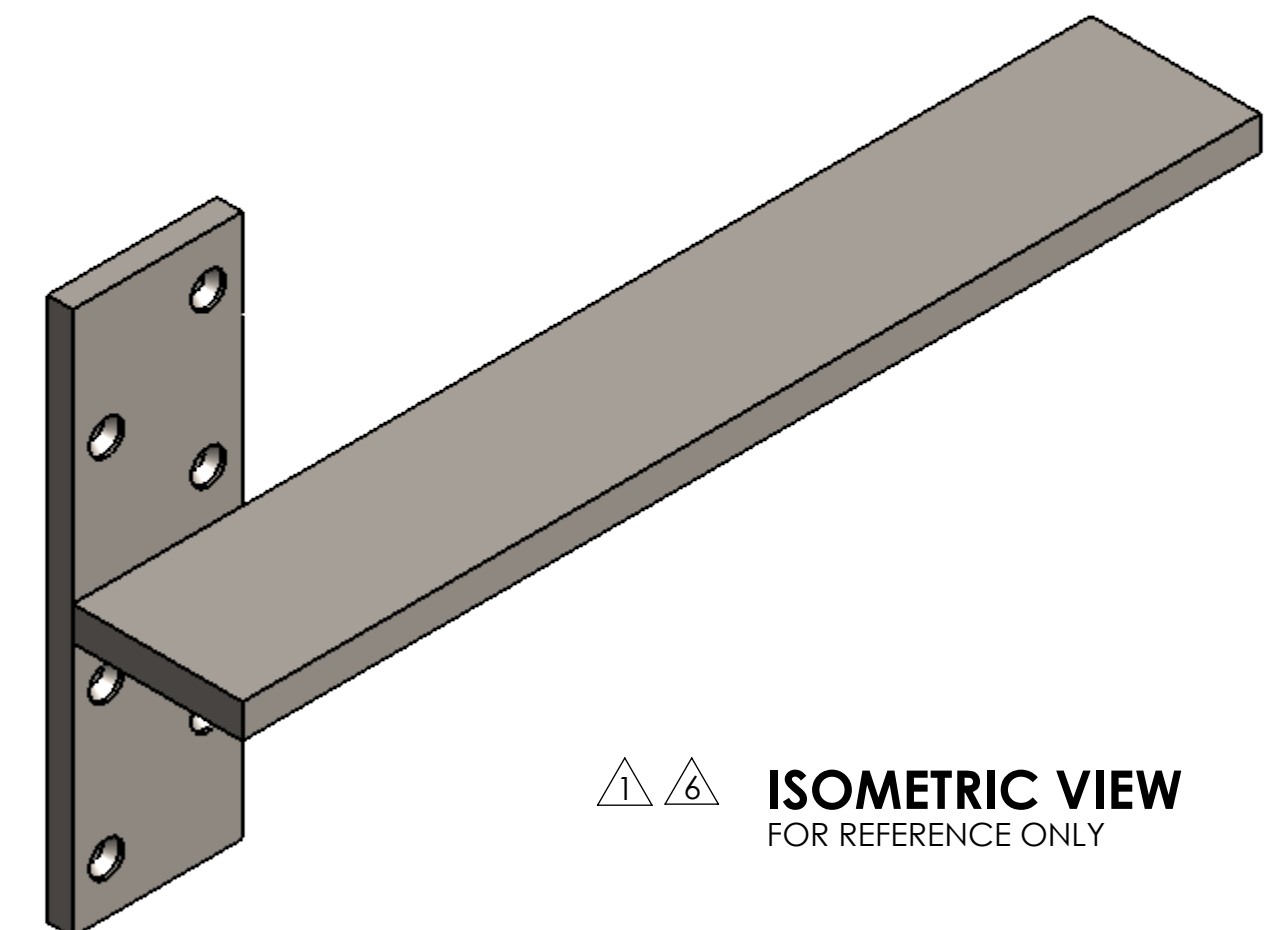
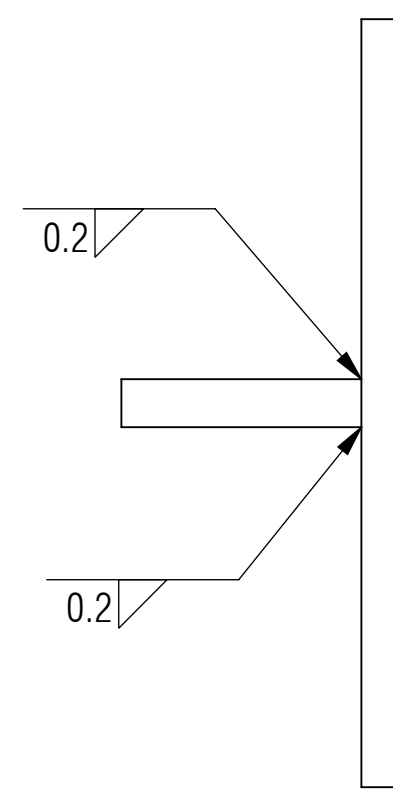
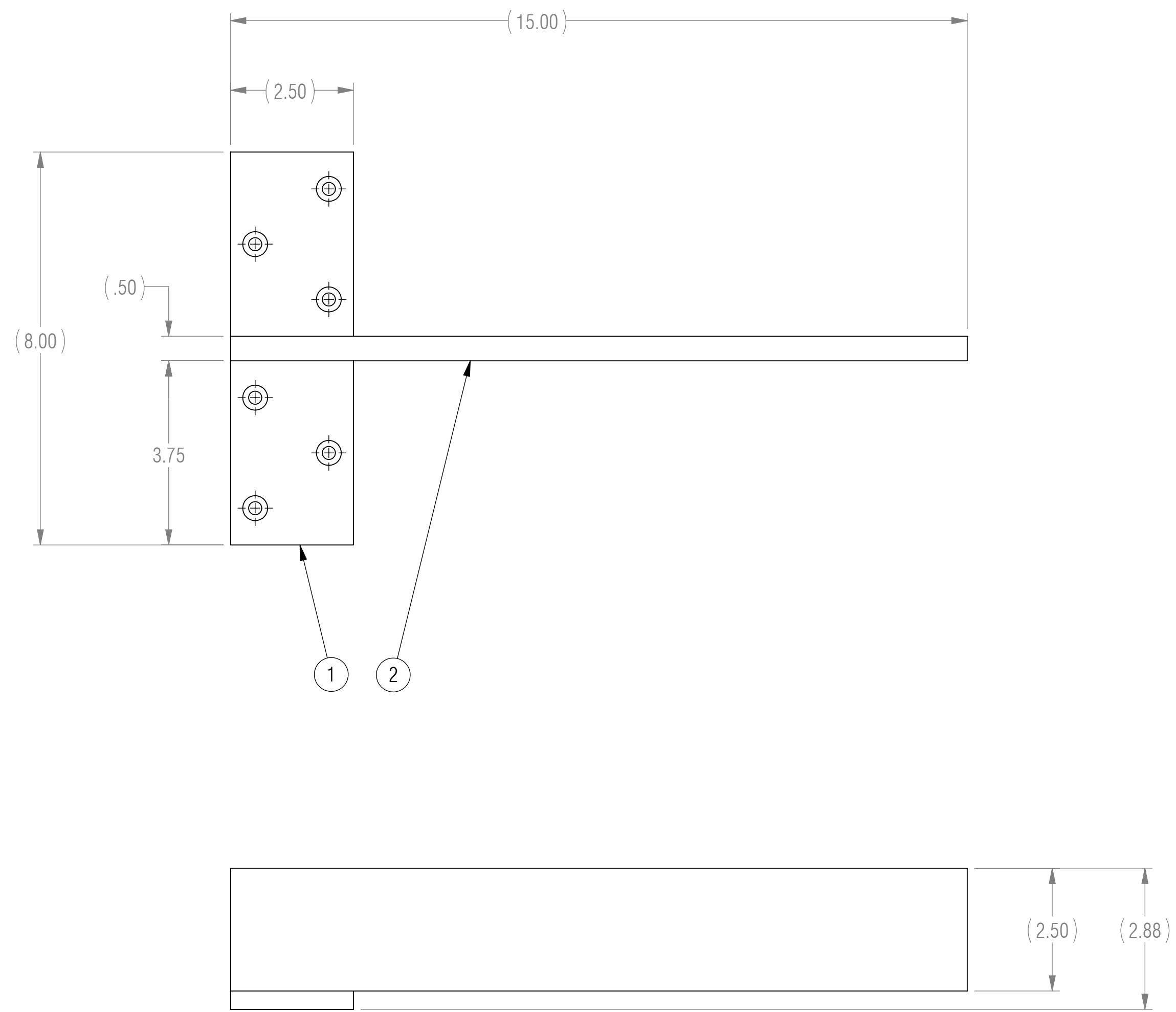


REVISIONS				
ZONE	REV.	DESCRIPTION	DATE	APPROVED
	X1	DEVELOPMENT	03/21/2017	KRH

NOTES: UNLESS OTHERWISE SPECIFIED

- 1. MATERIAL: MATERIAL SPECIFIED AT INDIVIDUAL PART LEVEL
- 2. ALL DIMENSIONS ARE TO THEORETICAL SHARP.
- 3. REMOVE BURRS AND BREAK ALL SHARP EDGES .03 MAX.
- 4. ALL DIMENSIONS ARE IN INCHES UNLESS STATED OTHERWISE.
- 5. PARTS SHALL BE FREE OF GREASE AND CUTTING FLUID.
- 6. POWDER COAT PER MIL-PRF-24712A (TYPE 3, CLASS 3)



ISOMETRIC VIEW
FOR REFERENCE ONLY

BOM TABLE			
ITEM NO.	PART NUMBER	DESCRIPTION	QTY.
1	A-FWM	FWM FLANGE	1
2	H00H-15.00	HORIZONTAL SUPPORT, 0 ANGLE, 0 HOLES, VARIABLE LENGTH	1

RELEASED

UNLESS OTHERWISE SPECIFIED: DIMENSIONS ARE IN INCHES		ENGINEER							
TOLERANCES ARE:		ENGINEER							
ANGLES		ENGINEER							
.XX ± .01	XX° ± 1°	CHECKED	CAS 03/21/2017						
.XXX ± .005		DRAWN	KRH 03/21/2017						
INTERPRET DRAWINGS IN ACCORDANCE WITH:		MANAGER APPROVAL		THE INFORMATION ON THIS DRAWING IS PROPRIETARY AND SHALL NOT BE DISCLOSED, USED, OR DUPLICATED FOR PROCUREMENT OR MANUFACTURING PURPOSES WITHOUT THE EXPRESS WRITTEN CONSENT OF CENTERLINE STEEL, LLC					
ASME Y14.100	ENGINEERING DRAWING PRACTICES	THIRD ANGLE PROJECTION 							
ASME Y14.38	ABBREVIATIONS								
ASME Y14.5	DIMENSIONING AND TOLERANCING								
ASME Y14.6	SCREW THREAD REPRESENTATION	SIZE	D	CAGE CODE		DRAWING NO	FWM-U15	REV	X1
ASME Y14.8	CASTINGS, FORGINGS & MOLDED PARTS	SCALE	1:2			SHEET 1 of 1			
AWS A2.4	WELDING SYMBOLS								
IEEE STD 315	SYMBOLS FOR ELECTRICAL AND ELECTRONIC DIAGRAMS								