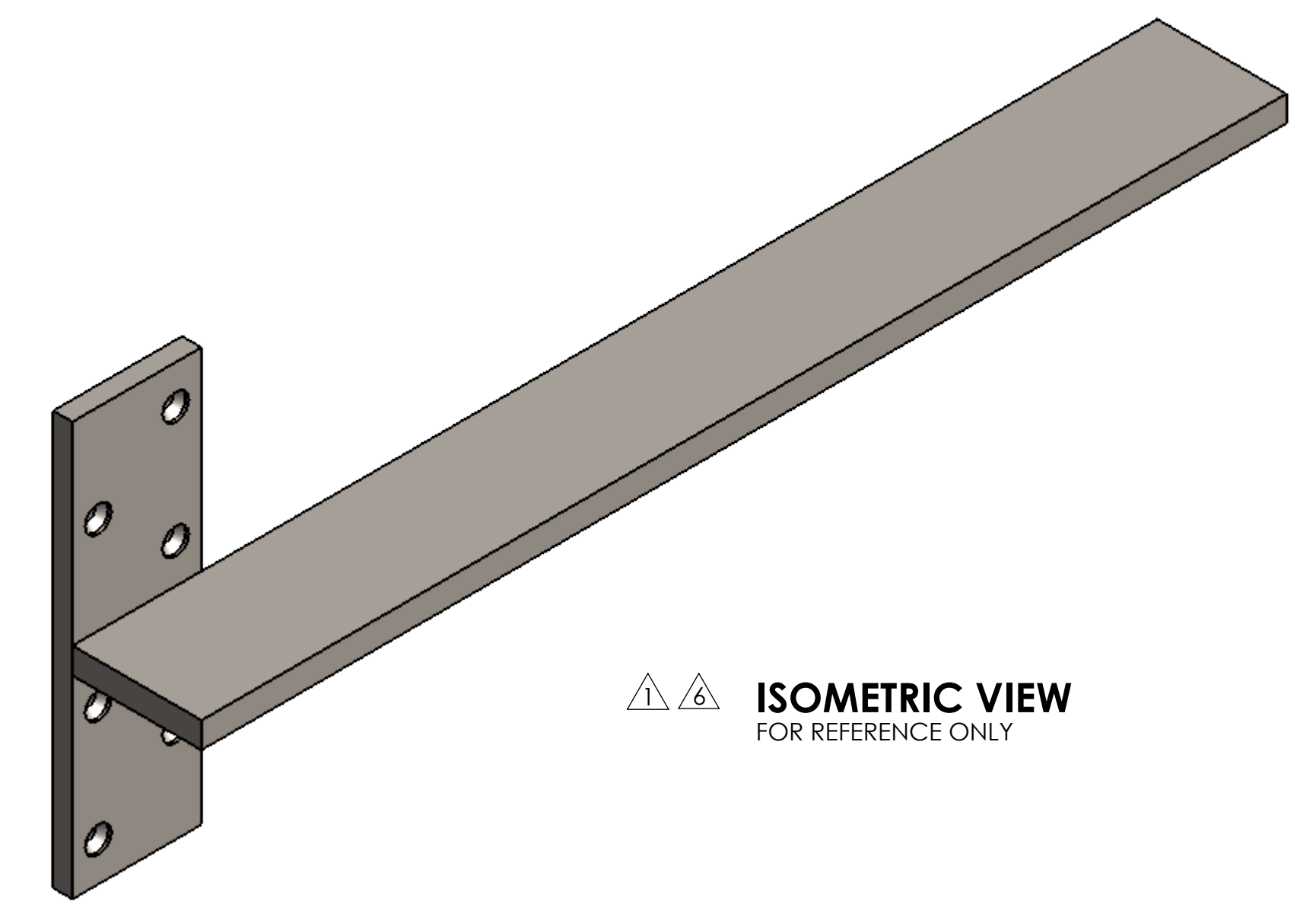
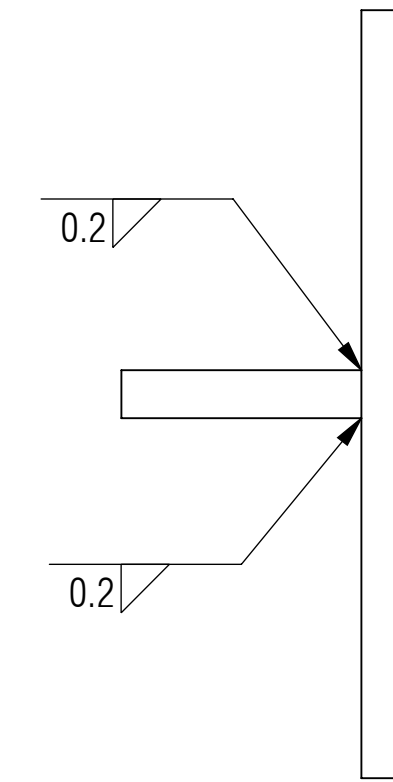
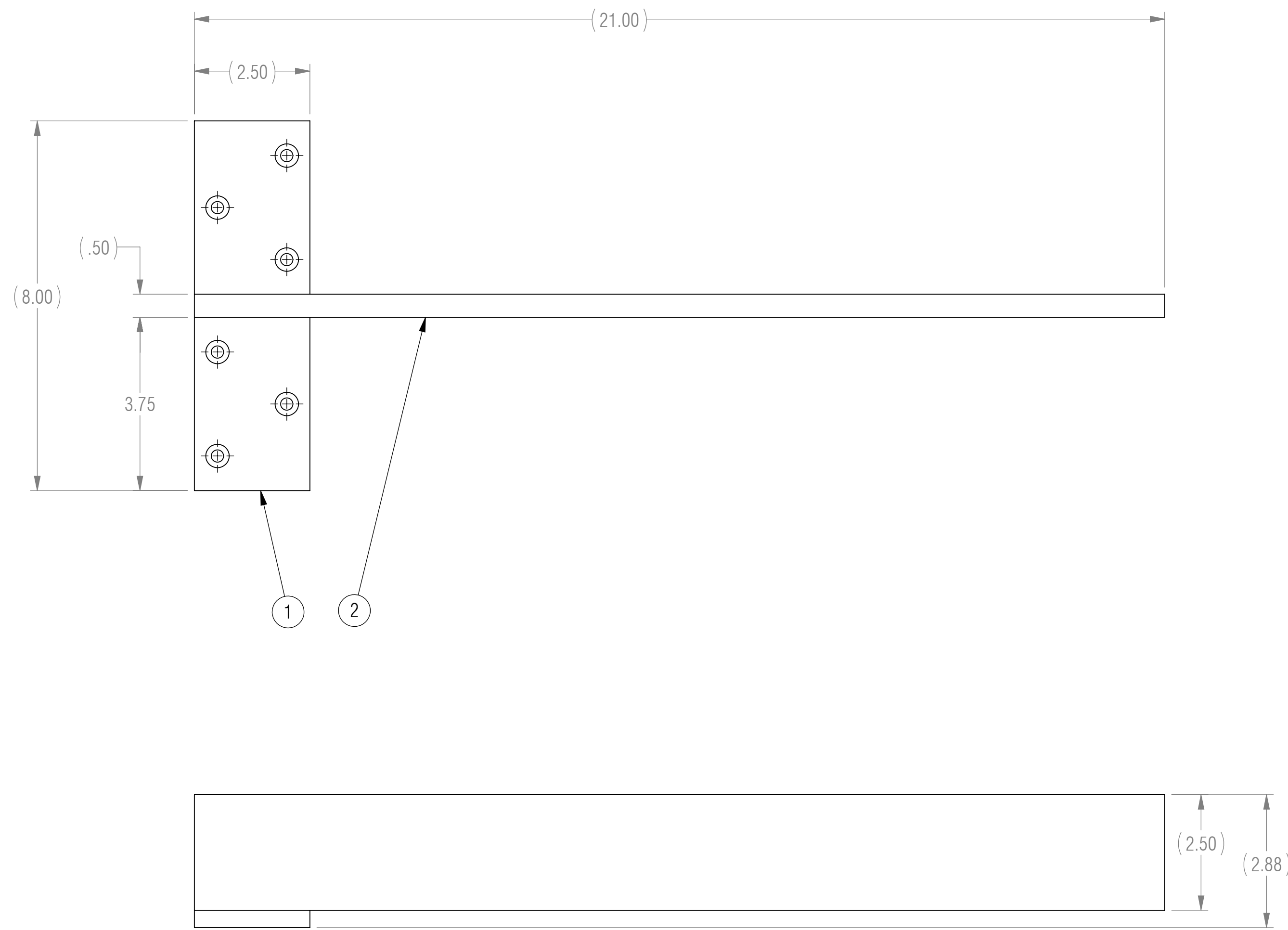


NOTES: UNLESS OTHERWISE SPECIFIED

- 1. MATERIAL: MATERIAL SPECIFIED AT INDIVIDUAL PART LEVEL
- 2. ALL DIMENSIONS ARE TO THEORETICAL SHARP.
- 3. REMOVE BURRS AND BREAK ALL SHARP EDGES .03 MAX.
- 4. ALL DIMENSIONS ARE IN INCHES UNLESS STATED OTHERWISE.
- 5. PARTS SHALL BE FREE OF GREASE AND CUTTING FLUID.
- 6. POWDER COAT PER MIL-PRF-24712A (TYPE 3, CLASS 3)

REVISIONS				
ZONE	REV.	DESCRIPTION	DATE	APPROVED
	X1	DEVELOPMENT	03/21/2017	KRH



ISOMETRIC VIEW
FOR REFERENCE ONLY

BOM TABLE			
ITEM NO.	PART NUMBER	DESCRIPTION	QTY.
1	A-FWM	FWM FLANGE	1
2	H00H-21.00	HORIZONTAL SUPPORT, 0 ANGLE, 0 HOLES, VARIABLE LENGTH	1

RELEASED

UNLESS OTHERWISE SPECIFIED: DIMENSIONS ARE IN INCHES		ENGINEER					
TOLERANCES ARE:		ENGINEER					
ANGLES		ENGINEER					
.XX ± .01	XX° ± 1°	CHECKED	CAS 03/21/2017				
.XXX ± .005		DRAWN	KRH 03/21/2017				
INTERPRET DRAWINGS IN ACCORDANCE WITH:		MANAGER APPROVAL		THE INFORMATION ON THIS DRAWING IS PROPRIETARY AND SHALL NOT BE DISCLOSED, USED, OR DUPLICATED FOR PROCUREMENT OR MANUFACTURING PURPOSES WITHOUT THE EXPRESS WRITTEN CONSENT OF CENTERLINE STEEL, LLC			
ASME Y14.100	ENGINEERING DRAWING PRACTICES	THIRD ANGLE PROJECTION					
ASME Y14.38	ABBREVIATIONS			SIZE	CAGE CODE	DRAWING NO	REV
ASME Y14.5	DIMENSIONING AND TOLERANCING			D		FWM-U21	X1
ASME Y14.6	SCREW THREAD REPRESENTATION	SCALE		SHEET 1 OF 1			
ASME Y14.8	CASTINGS, FORGINGS & MOLDED PARTS	1:2					
AWS A2.4	WELDING SYMBOLS						
IEEE STD 315	SYMBOLS FOR ELECTRICAL AND ELECTRONIC DIAGRAMS						