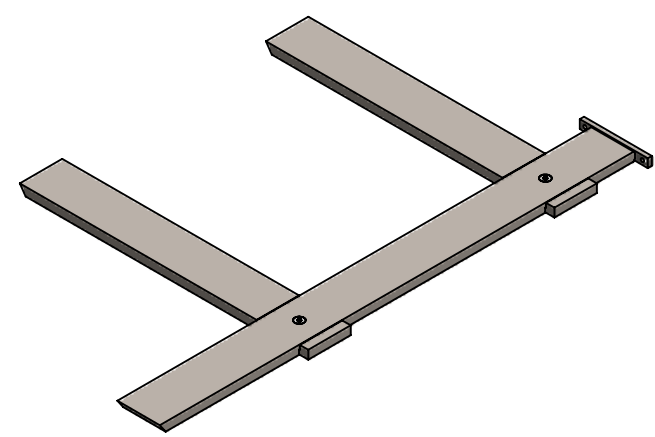


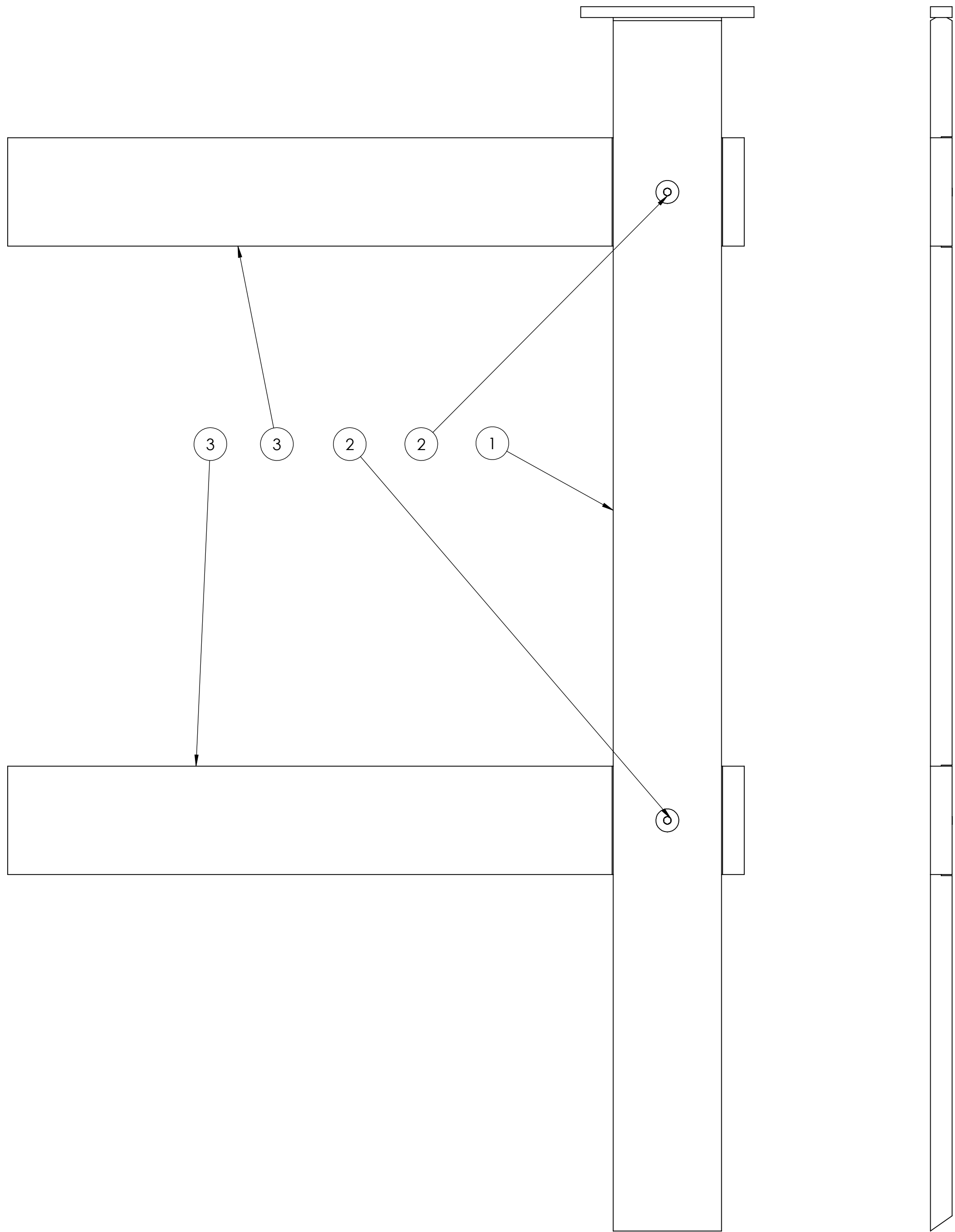
NOTES: UNLESS OTHERWISE SPECIFIED

- 1. MATERIAL: MATERIAL SPECIFIED AT INDIVIDUAL PART LEVEL
- 2. ALL DIMENSIONS ARE TO THEORETICAL SHARP.
- 3. REMOVE BURRS AND BREAK ALL SHARP EDGES .03 MAX.
- 4. ALL DIMENSIONS ARE IN INCHES UNLESS STATED OTHERWISE.
- 5. PARTS SHALL BE FREE OF GREASE AND CUTTING FLUID.



ISOMETRIC VIEW
FOR REFERENCE ONLY

REVISIONS				
ZONE	REV.	DESCRIPTION	DATE	APPROVED
	X1	DEVELOPMENT	07/28/2020	KRH



BOM TABLE			
ITEM NO.	PART NUMBER	DESCRIPTION	QTY.
1	IBM-28 THRU IBM-44	ISLAND BRACKET MODIFIED	1
2	24222	FASTENAL, FHSCS 1/4-20 X 1/2, FASTENER	2
3	H11H-17 THRU H11H-33	HORIZONTAL SUPPORT, 1 ANGLE, 1 HOLE, VARIABLE LENGTH	2

UNLESS OTHERWISE SPECIFIED: DIMENSIONS ARE IN INCHES		ENGINEER	
TOLERANCES ARE:		ENGINEER	
.XX ± .01	ANGLES	CHECKED	CAS 07/28/2020
.XXX ± .005	XX° ± 1°	DRAWN	KRH 07/28/2020
INTERPRET DRAWINGS IN ACCORDANCE WITH:		MANAGER APPROVAL	
ASME Y14.100	ENGINEERING DRAWING PRACTICES	THE INFORMATION ON THIS DRAWING IS PROPRIETARY AND SHALL NOT BE DISCLOSED, USED, OR DUPLICATED FOR PROCUREMENT OR MANUFACTURING PURPOSES WITHOUT THE EXPRESS WRITTEN CONSENT OF CENTERLINE STEEL, LLC	
ASME Y14.38	ABBREVIATIONS	THIRD ANGLE PROJECTION	
ASME Y14.5	DIMENSIONING AND TOLERANCING		
ASME Y14.6	SCREW THREAD REPRESENTATION		
ASME Y14.8	CASTINGS, FORGINGS & MOLDED PARTS		
AWS A2.4	WELDING SYMBOLS		
IEEE STD 315	SYMBOLS FOR ELECTRICAL AND ELECTRONIC DIAGRAMS		
USED ON	APPLICATION		

DRAWING TITLE			
ISLAND SUPPORT SYSTEM			
SIZE	CAGE CODE	DRAWING NO	REV
D		ISS-XX	X1
SCALE 1:2		SHEET 1 OF 1	

RELEASED