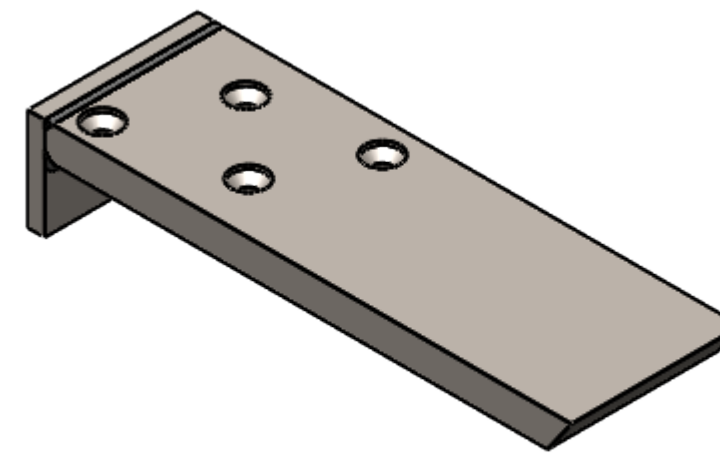
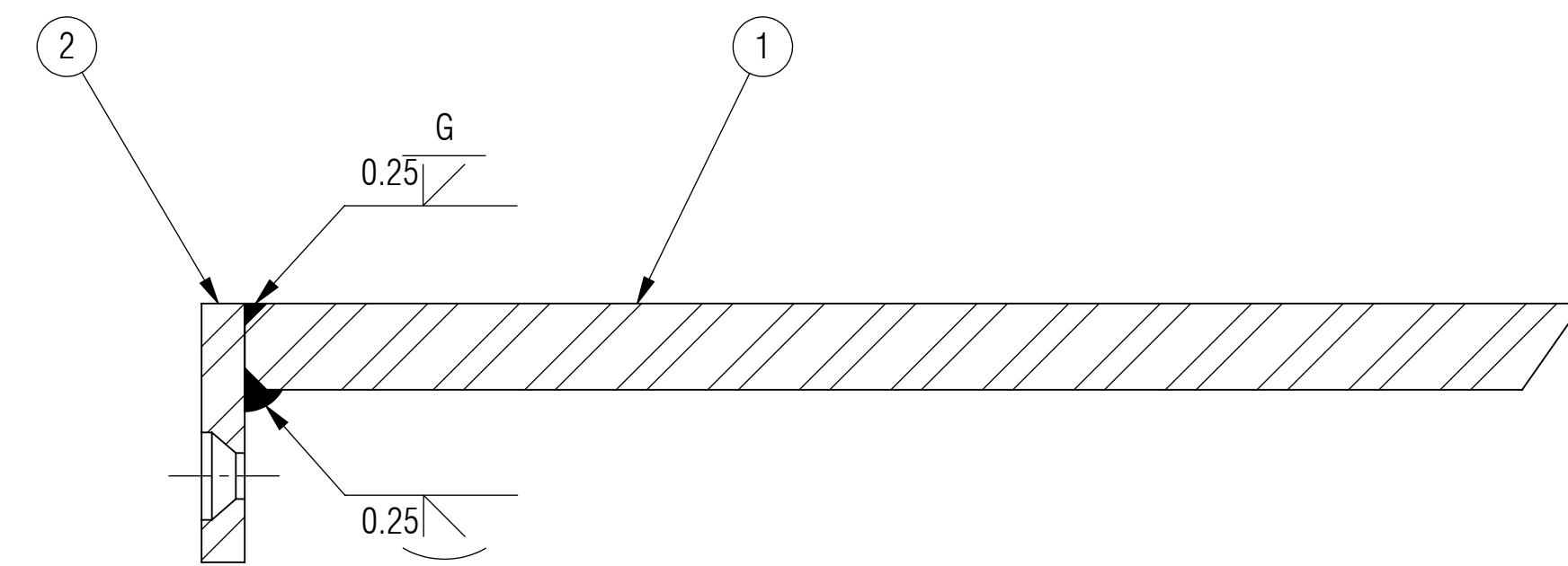
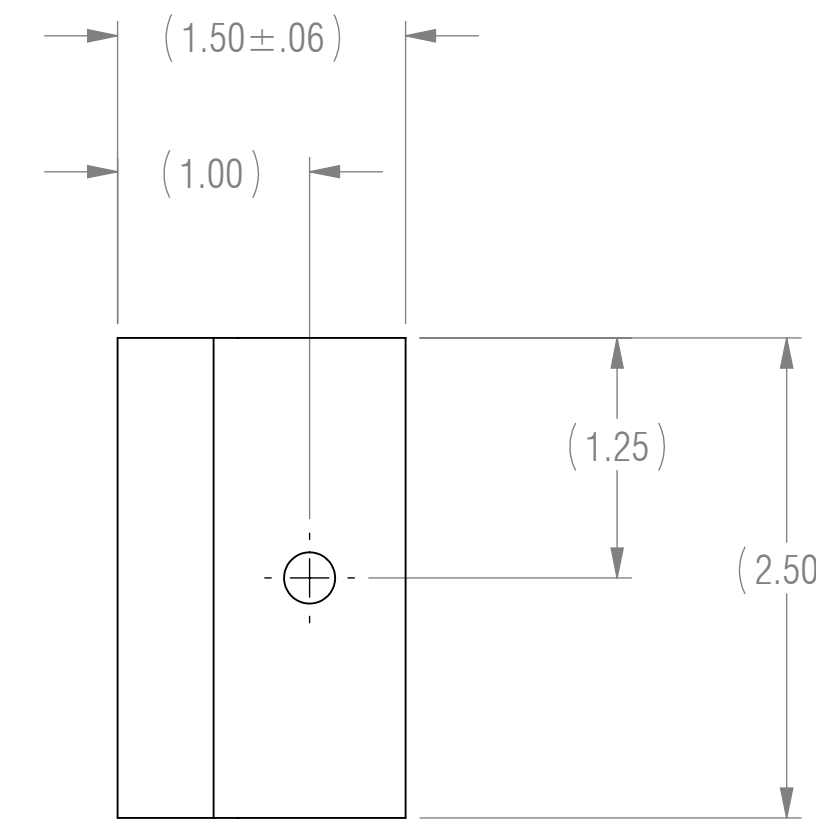
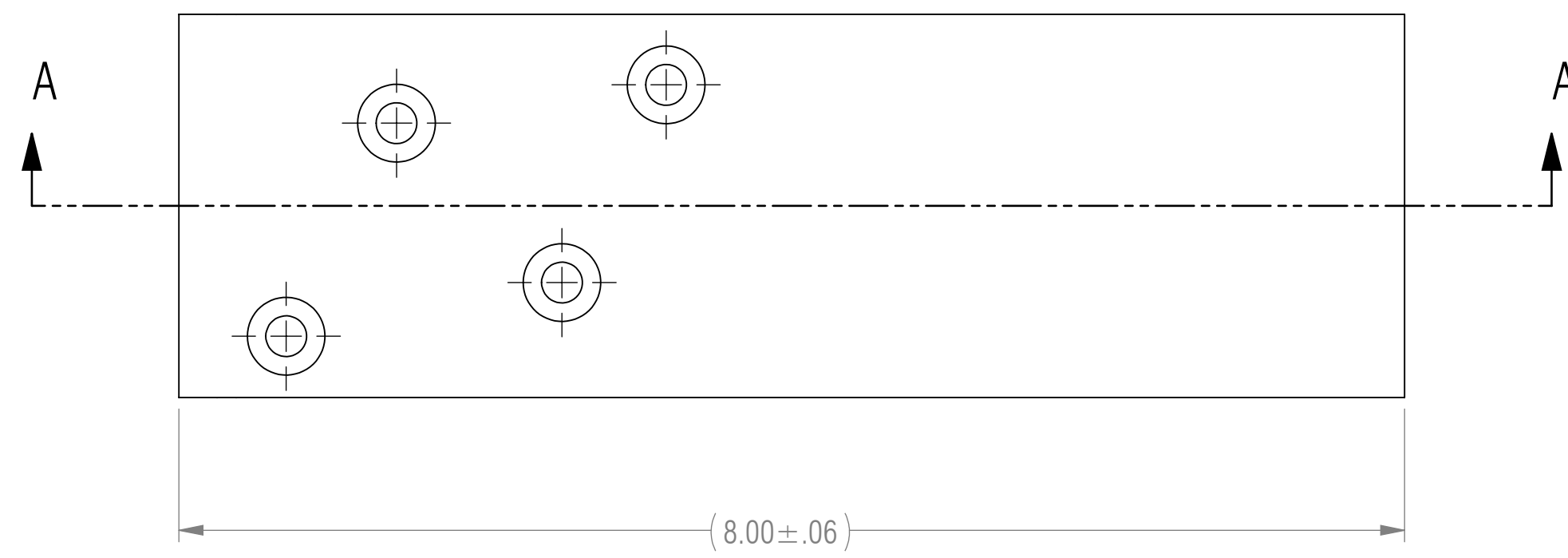


NOTES: UNLESS OTHERWISE SPECIFIED

- 1 MATERIAL: MATERIAL SPECIFIED AT INDIVIDUAL PART LEVEL
- 2 ALL DIMENSIONS ARE TO THEORETICAL SHARP.
- 3 REMOVE BURRS AND BREAK ALL SHARP EDGES .03 MAX.
- 4 ALL DIMENSIONS ARE IN INCHES UNLESS STATED OTHERWISE.
- 5 PARTS SHALL BE FREE OF GREASE AND CUTTING FLUID.
- 6 POWDER COAT PER MIL-PRF-24712A (TYPE 3, CLASS 3)



ISOMETRIC VIEW  
FOR REFERENCE ONLY



SECTION A-A

REVISIONS				
ZONE	REV.	DESCRIPTION	DATE	APPROVED
	X1	DEVELOPMENT	03/08/2017	KRH

RELEASED

BOM TABLE			
ITEM NO.	PART NUMBER	DESCRIPTION	QTY.
1	H14H-7.75	HORIZONTAL SUPPORT, 1 ANGLE, 4 HOLES, 7.75 LENGTH	1
2	A-SP	SP FLANGE	1

UNLESS OTHERWISE SPECIFIED: DIMENSIONS ARE IN INCHES		ENGINEER		
TOLERANCES ARE:		ENGINEER		
ANGLES		CHECKED	CAS 03/08/2017	
.XX ± .01	XX° ± 1°	DRAWN	KRH 03/08/2017	
.XXX ± .005		MANAGER APPROVAL		
INTERPRET DRAWINGS IN ACCORDANCE WITH:		THE INFORMATION ON THIS DRAWING IS PROPRIETARY AND SHALL NOT BE DISCLOSED, USED, OR DUPLICATED FOR PROCUREMENT OR MANUFACTURING PURPOSES WITHOUT THE EXPRESS WRITTEN CONSENT OF CENTERLINE STEEL, LLC		
ASME Y14.100 ENGINEERING DRAWING PRACTICES		THIRD ANGLE PROJECTION		
ASME Y14.38 ABBREVIATIONS				
ASME Y14.5 DIMENSIONING AND TOLERANCING				
ASME Y14.6 SCREW THREAD REPRESENTATION		SIZE	CAGE CODE	DRAWING NO
ASME Y14.8 CASTINGS, FORGINGS & MOLDED PARTS		D		SP-08
AWS A2.4 WELDING SYMBOLS		SCALE	1:1	REV X1
IEEE STD 315 SYMBOLS FOR ELECTRICAL AND ELECTRONIC DIAGRAMS		SHEET 1 OF 1		