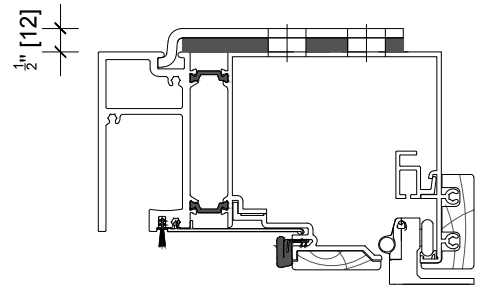
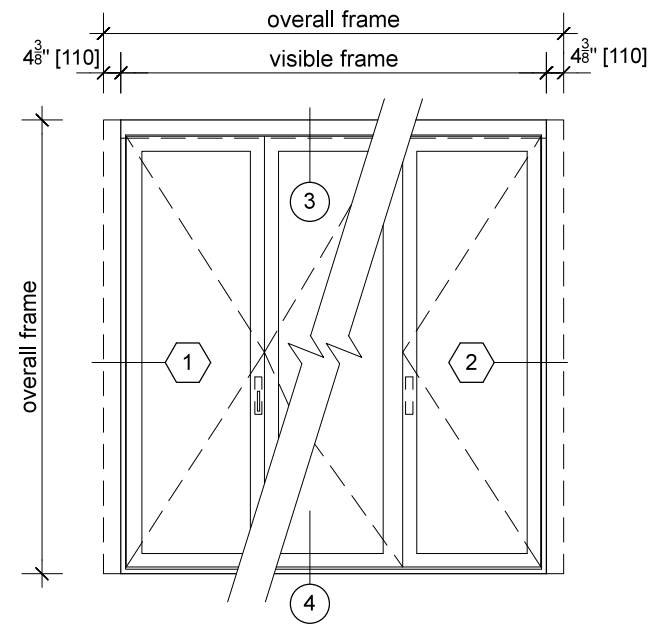


3. head detail



Head support bracket provided where fixing is inboard of the carrier track (folding doors only)
 Door frames wider than 19'8 1/4" [6000mm] are supplied with a joiner to head and sill.

3a. jamb detail



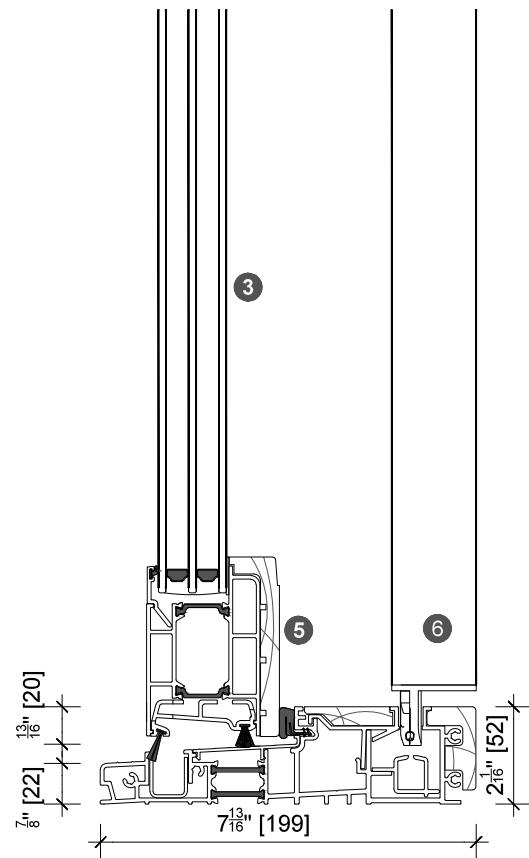
elevation key

plan key

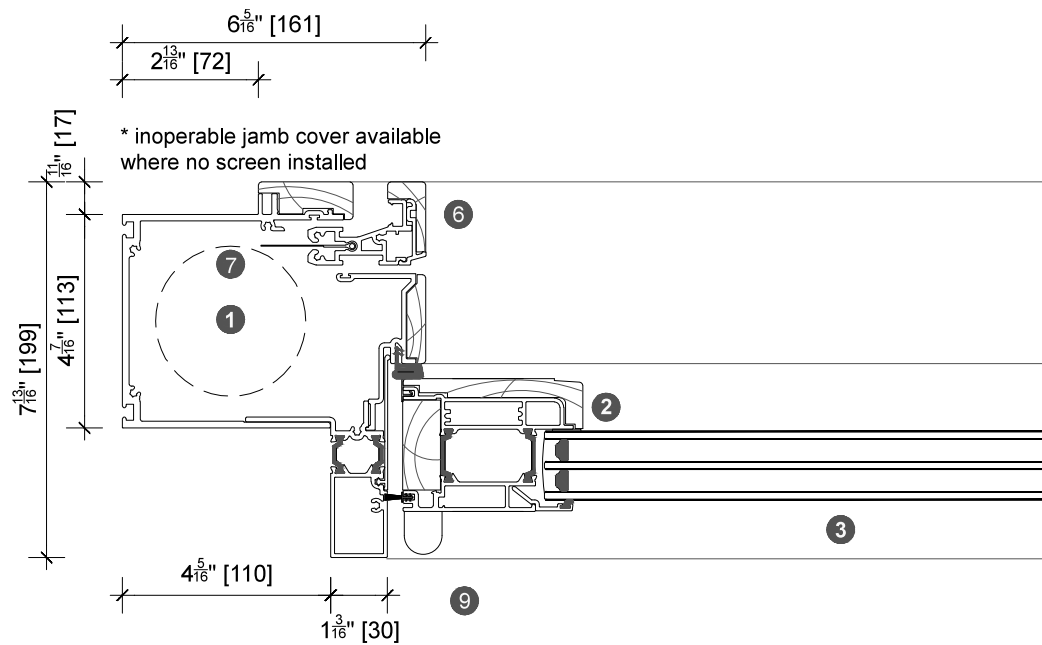
- | | |
|--------------------|----------------|
| 1 screen/shade box | 6 screen stile |
| 2 door panel stile | 7 screen/blind |
| 3 glazing | 8 lever handle |
| 4 top rail | 9 pivot |
| 5 bottom rail | |

Door frames up to 16' (4877mm) in width can be supplied with a different fabric type in each jamb box.
 Door frames wider than 16' (4877mm) are only available with a single fabric type.

legend



4. sill detail



1. jamb detail



2. jamb detail