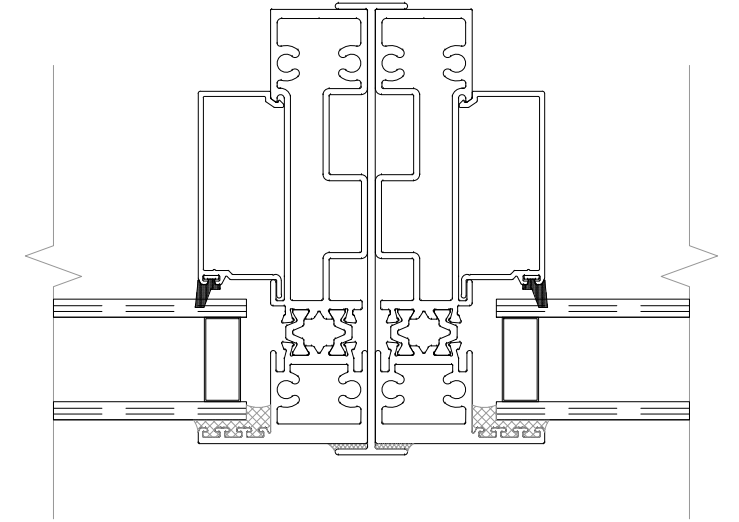
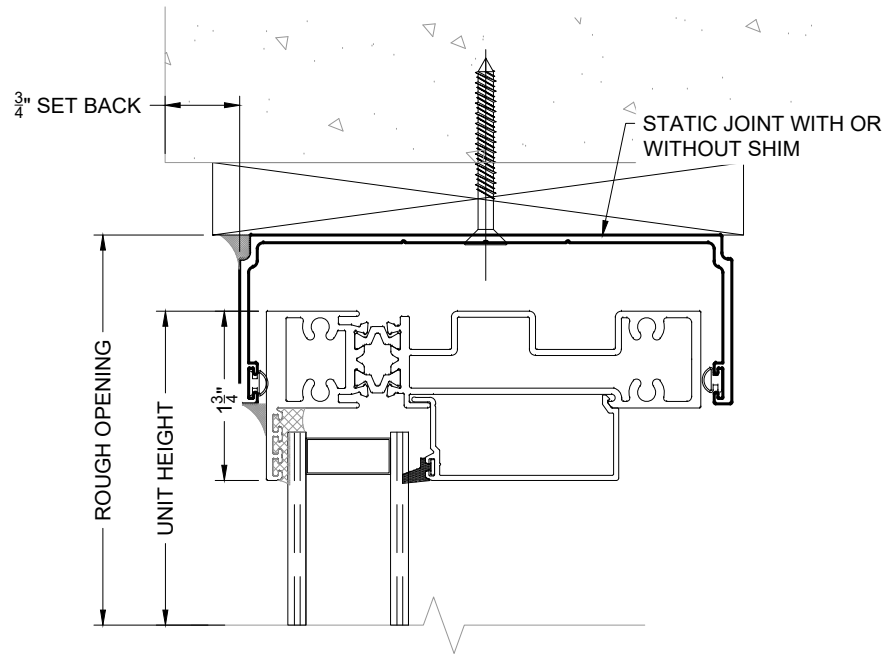
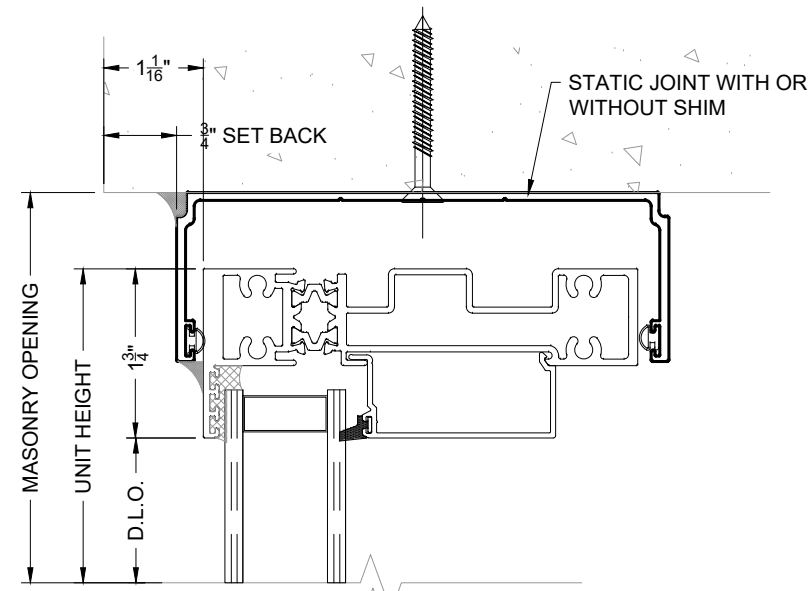
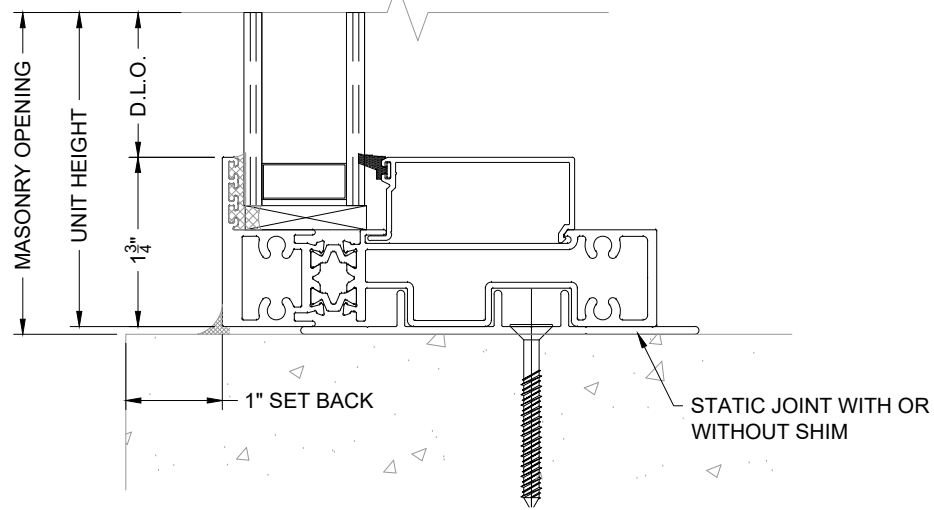
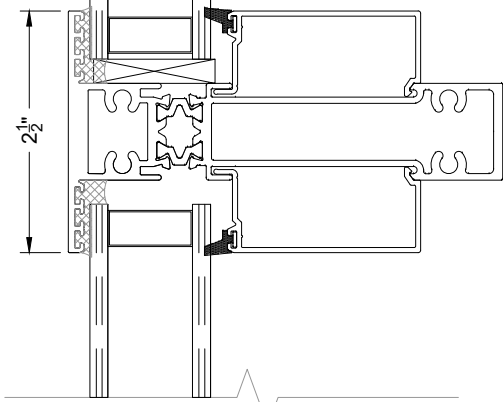


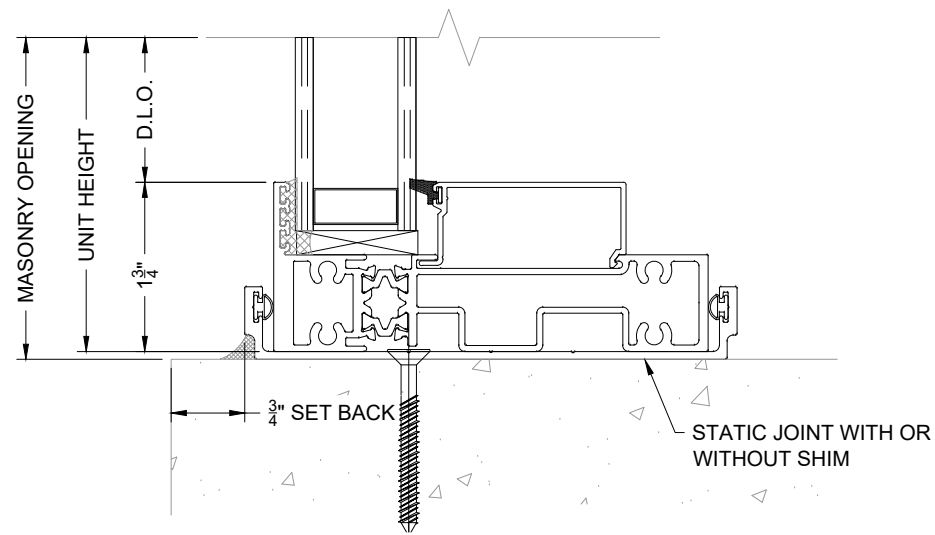
450TB SERIES STOREFRONT (NON-IMPACT) CONCRETE/MASON OR 1BY WOOD BUCK INSTALLATION



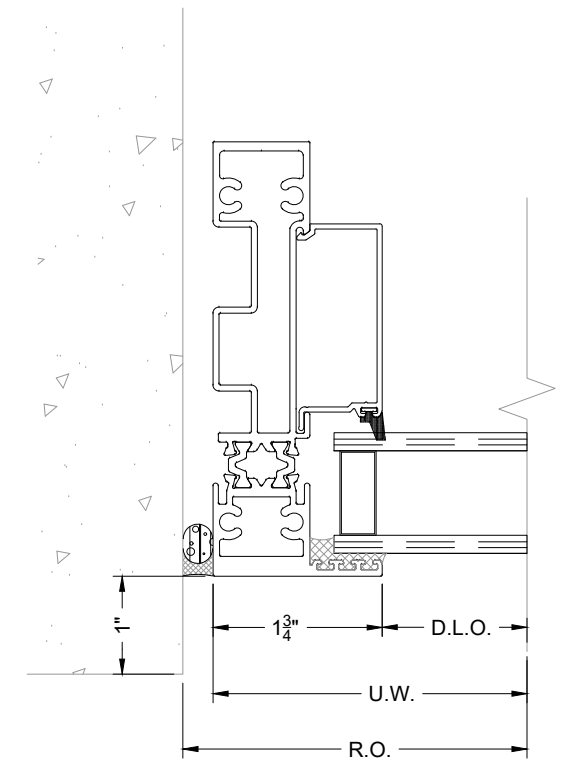
INSULATED GLASS



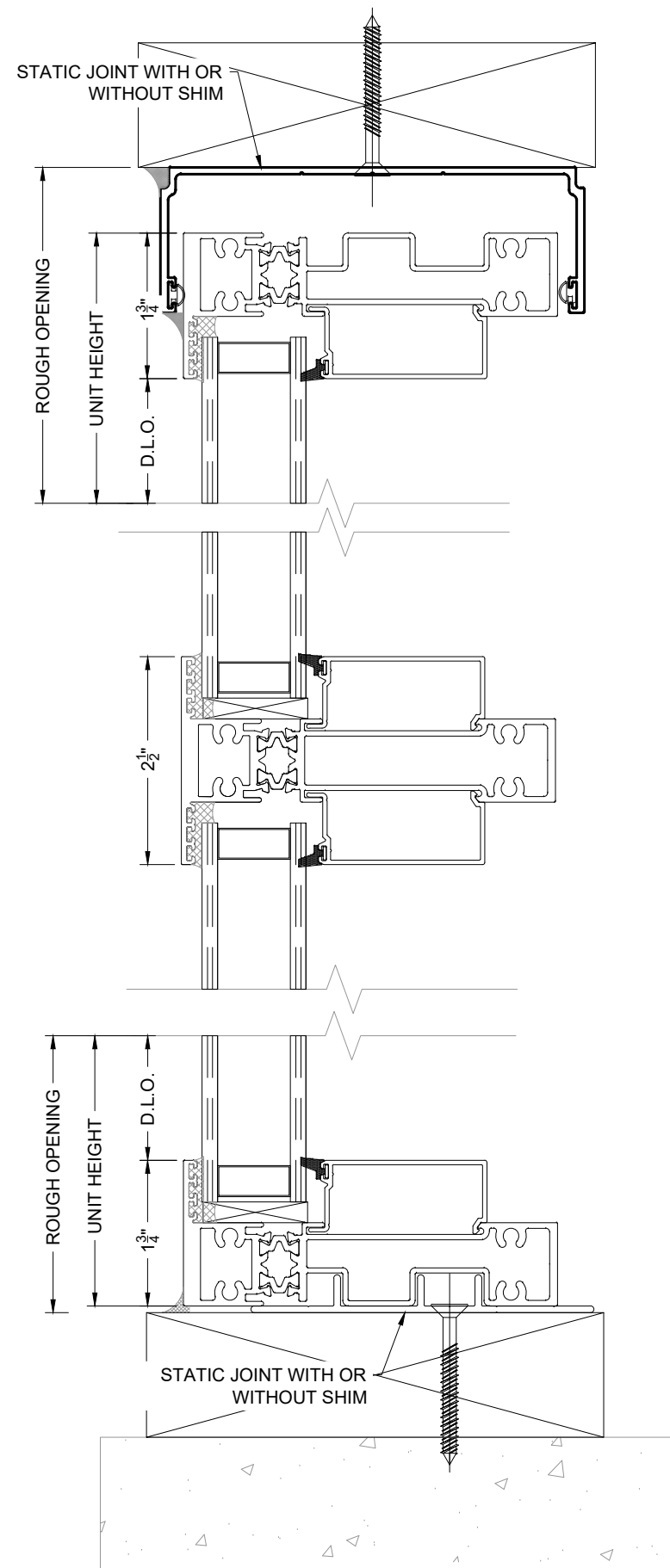
OPTION WITH RECEIVER



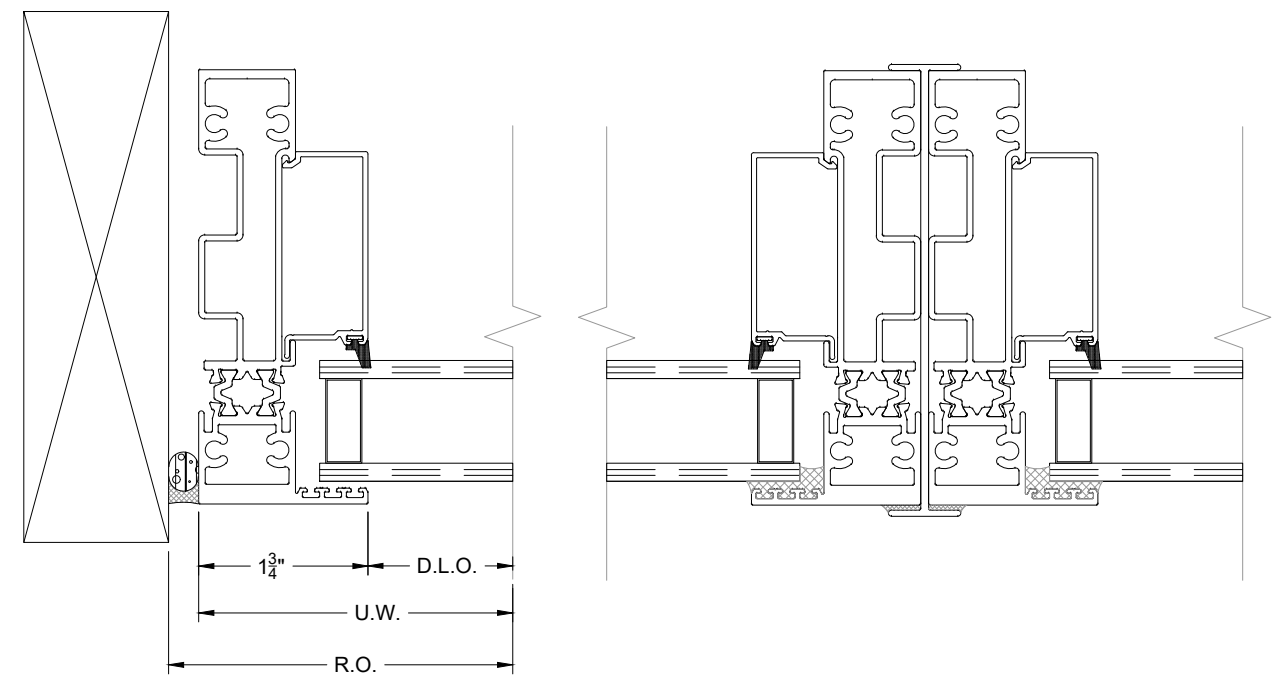
OPTION WITH RECEPTOR



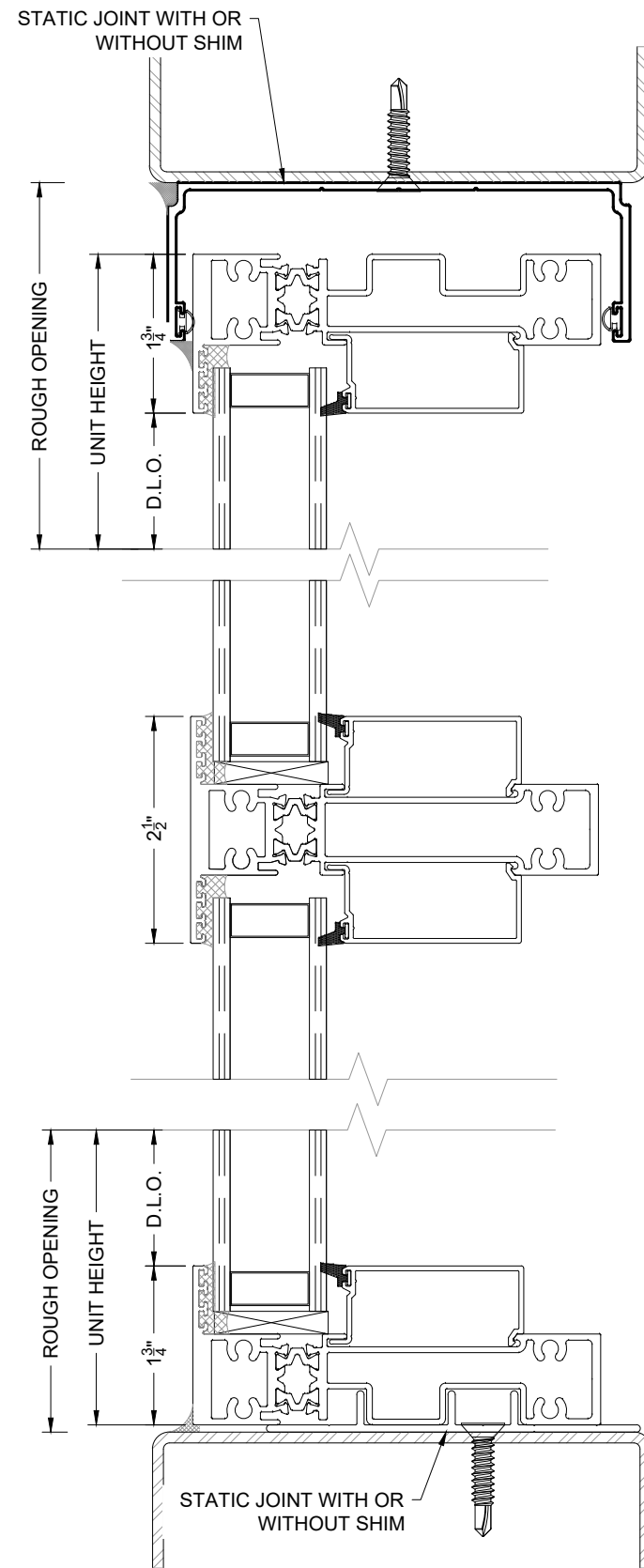
450TB SERIES STOREFRONT (NON-IMPACT) WOOD STRUCTURE/2BY WOOD BUCK INSTALLATION



INSULATED GLASS



450TB SERIES STOREFRONT (NON-IMPACT) ALUMINUM OR STEEL FRAMING INSTALLATION



INSULATED GLASS

