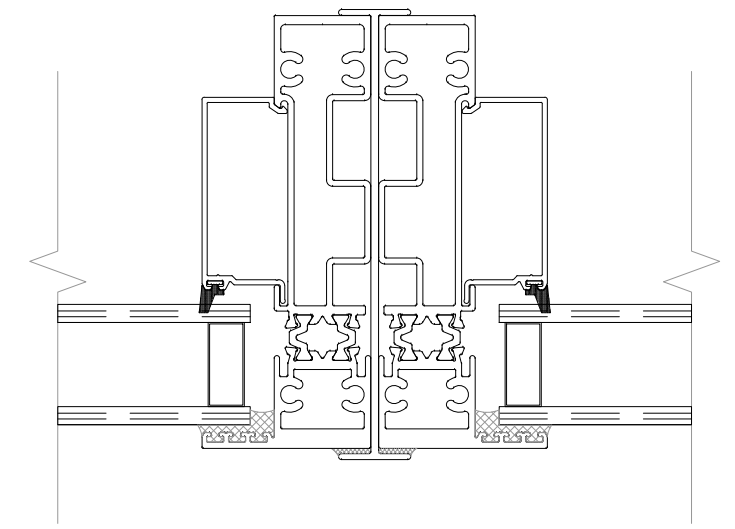
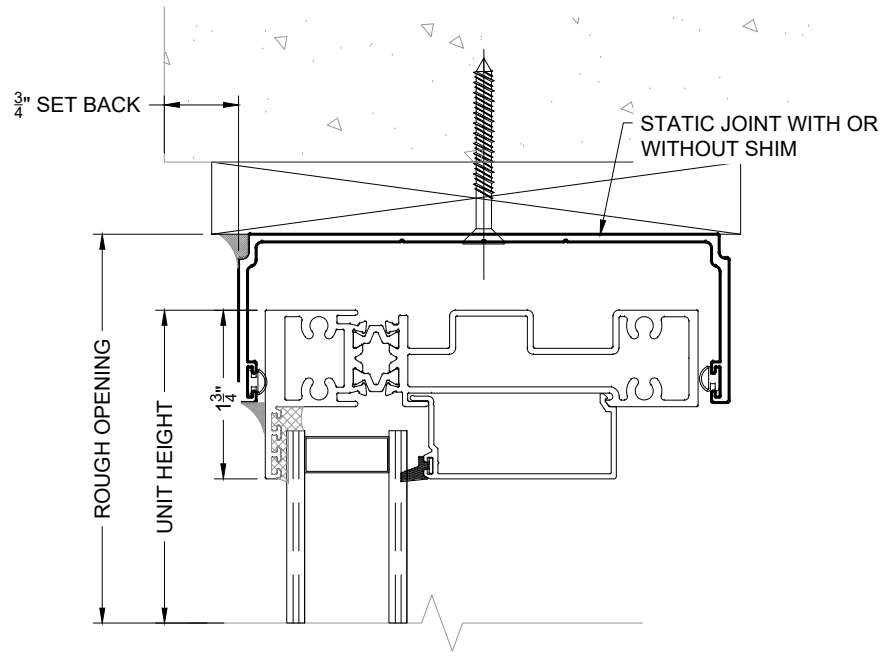
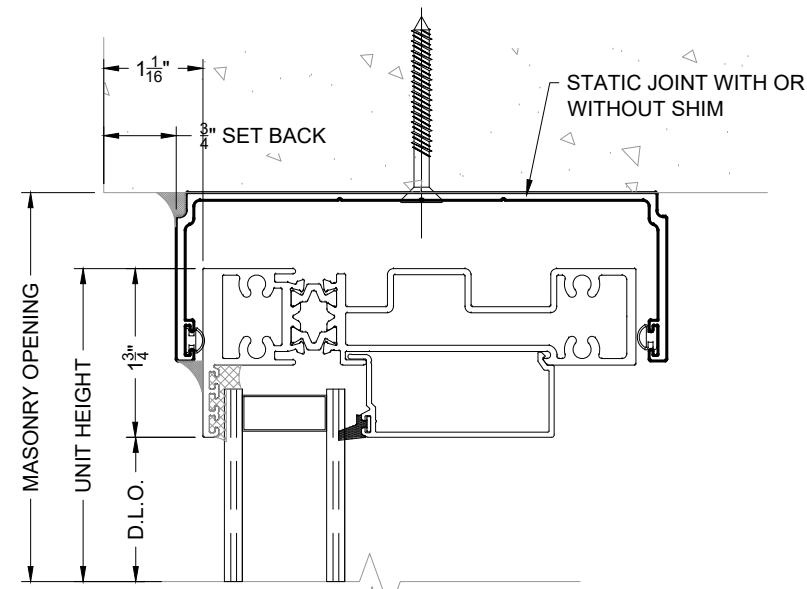
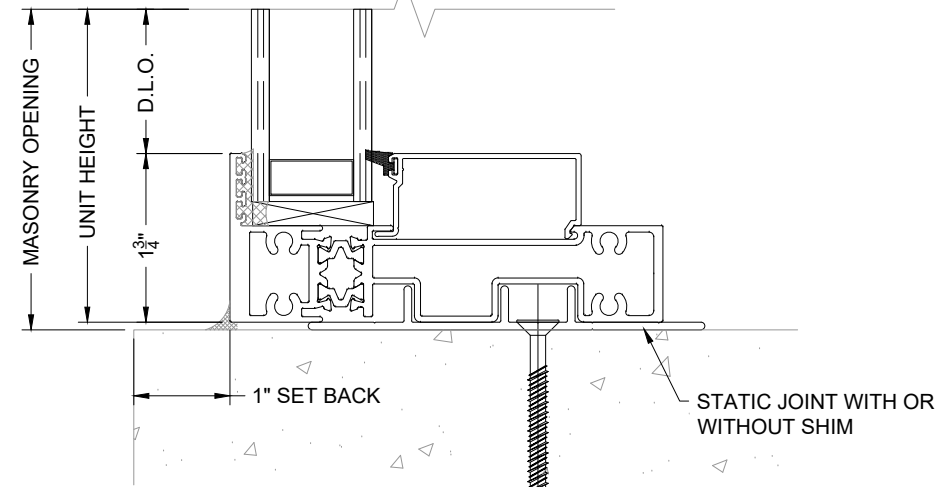
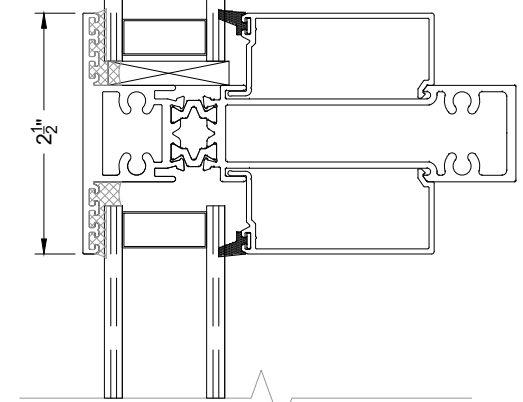


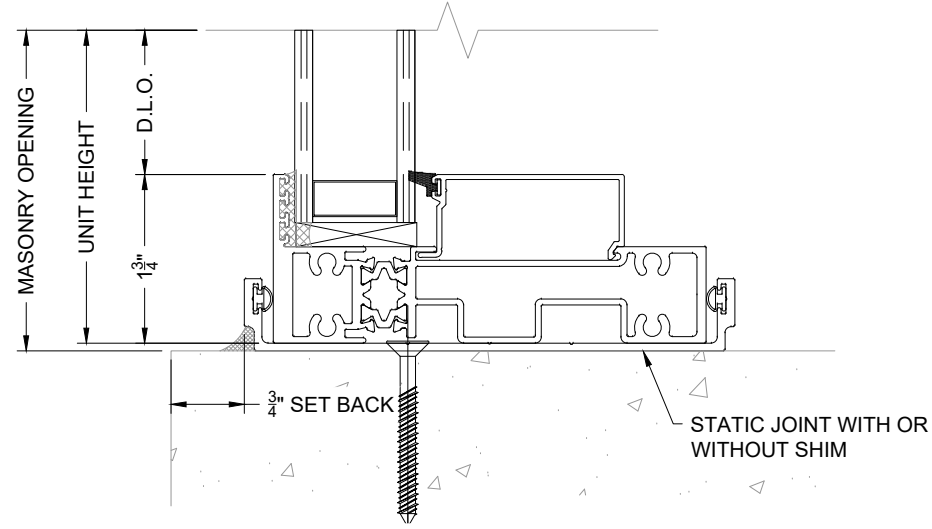
450TB SERIES WINDOW/LOUVER (NON-IMPACT) CONCRETE/MASON OR 1BY WOOD BUCK INSTALLATION



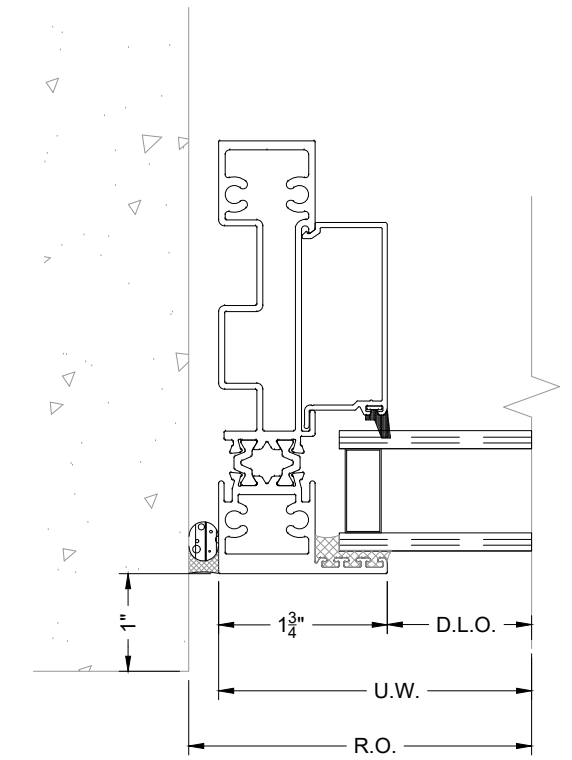
INSULATED GLASS



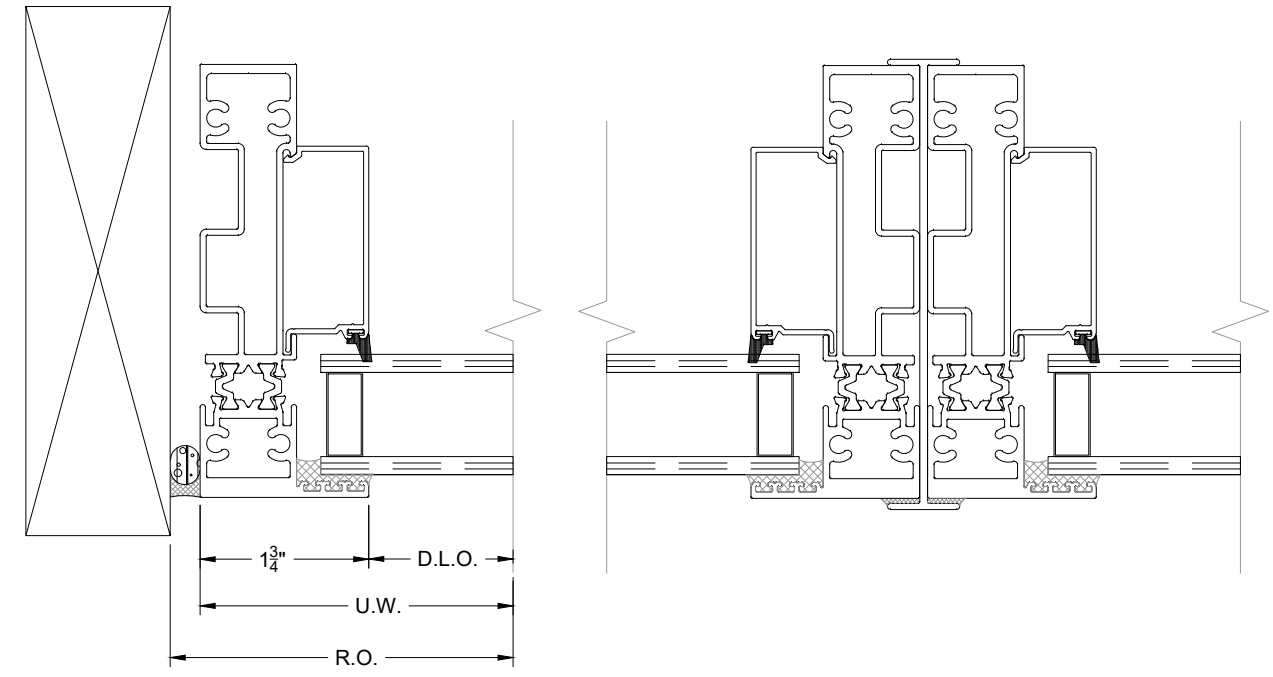
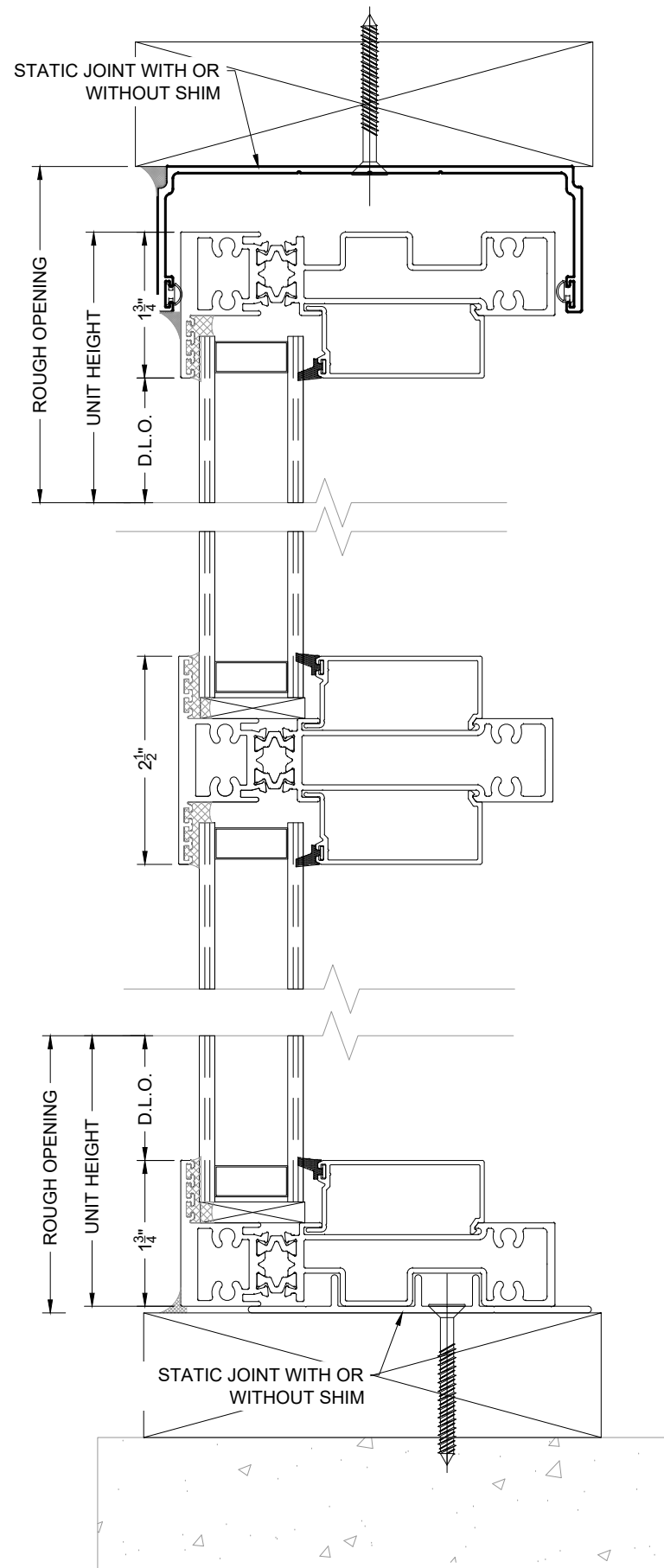
OPTION WITH RECEIVER



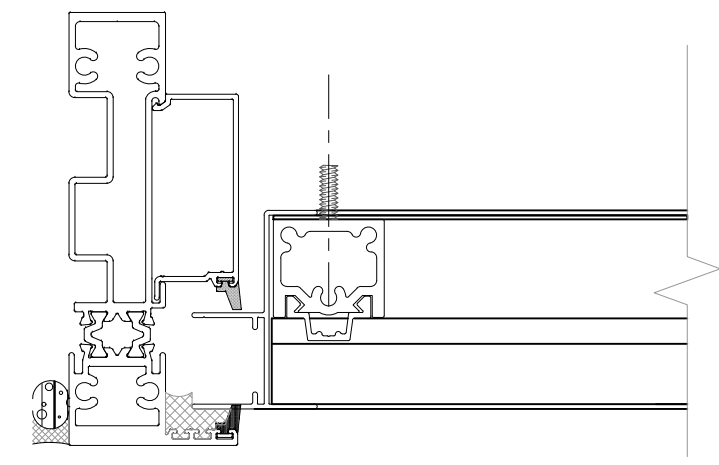
OPTION WITH RECEPTOR



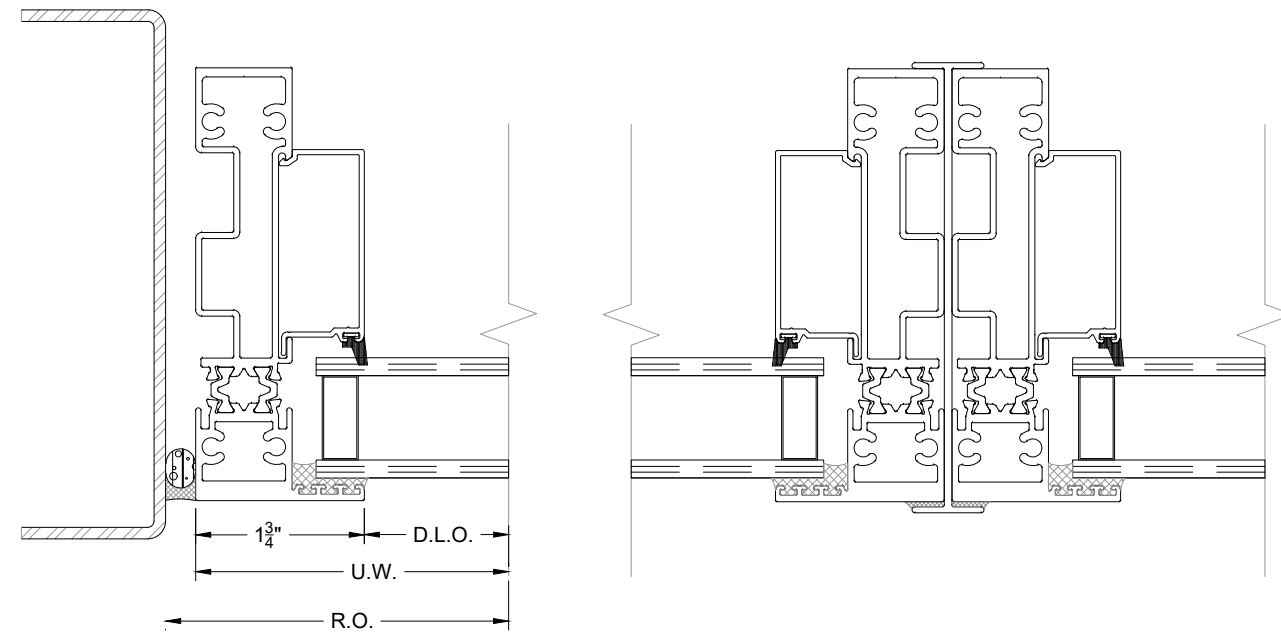
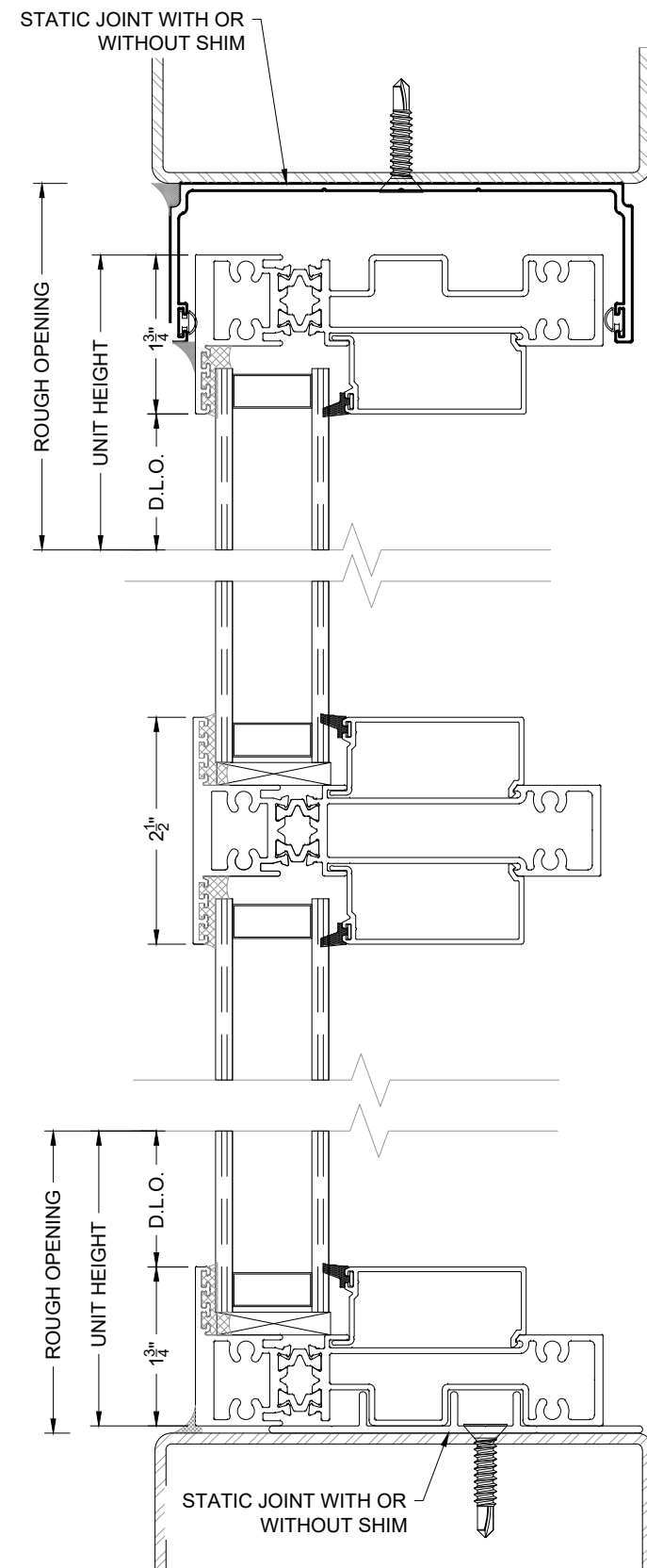
450TB SERIES WINDOW/LOUVER (NON-IMPACT) WOOD STRUCTURE/2BY WOOD BUCK INSTALLATION



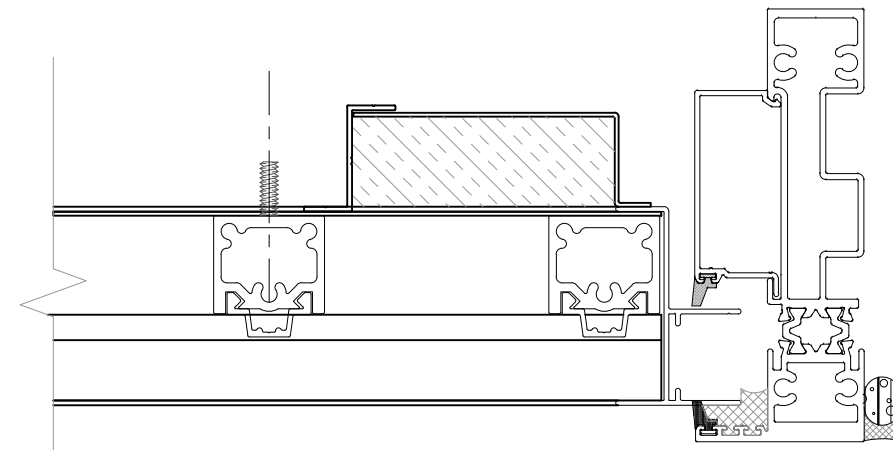
INSULATED GLASS



450TB SERIES WINDOW/LOUVER (NON-IMPACT) ALUMINUM OR STEEL FRAMING INSTALLATION



INSULATED GLASS



450TB SERIES WINDOW/LOUVER (NON-IMPACT)

INSULATED GLASS

