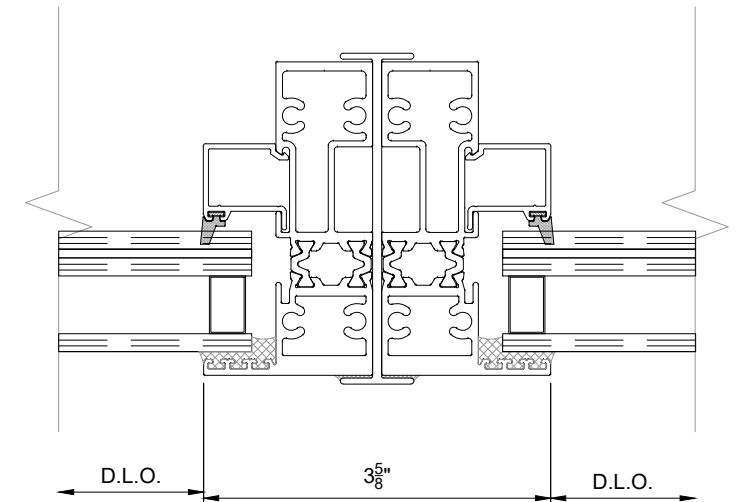
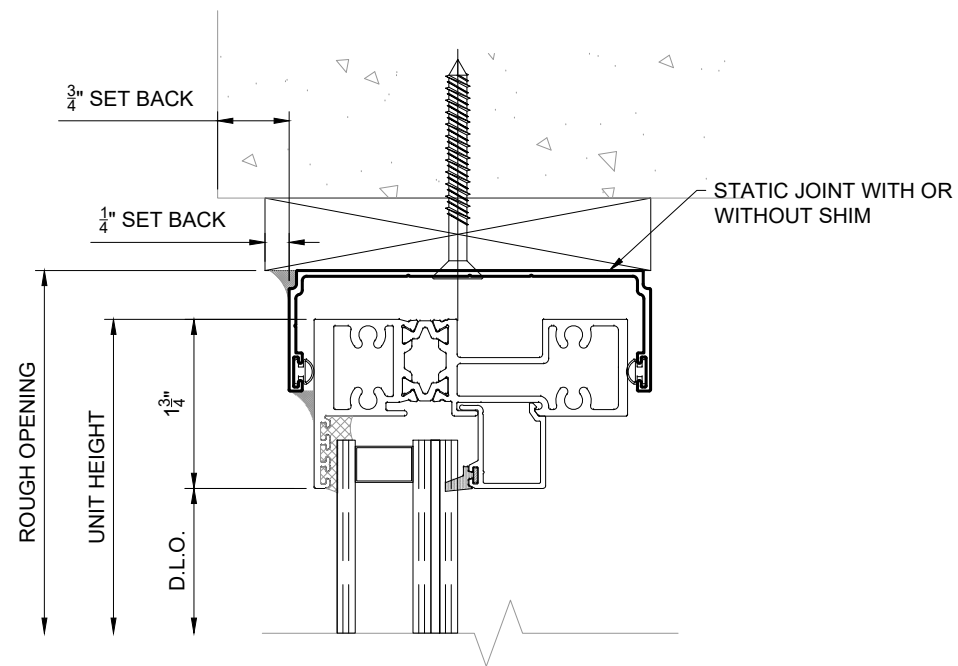
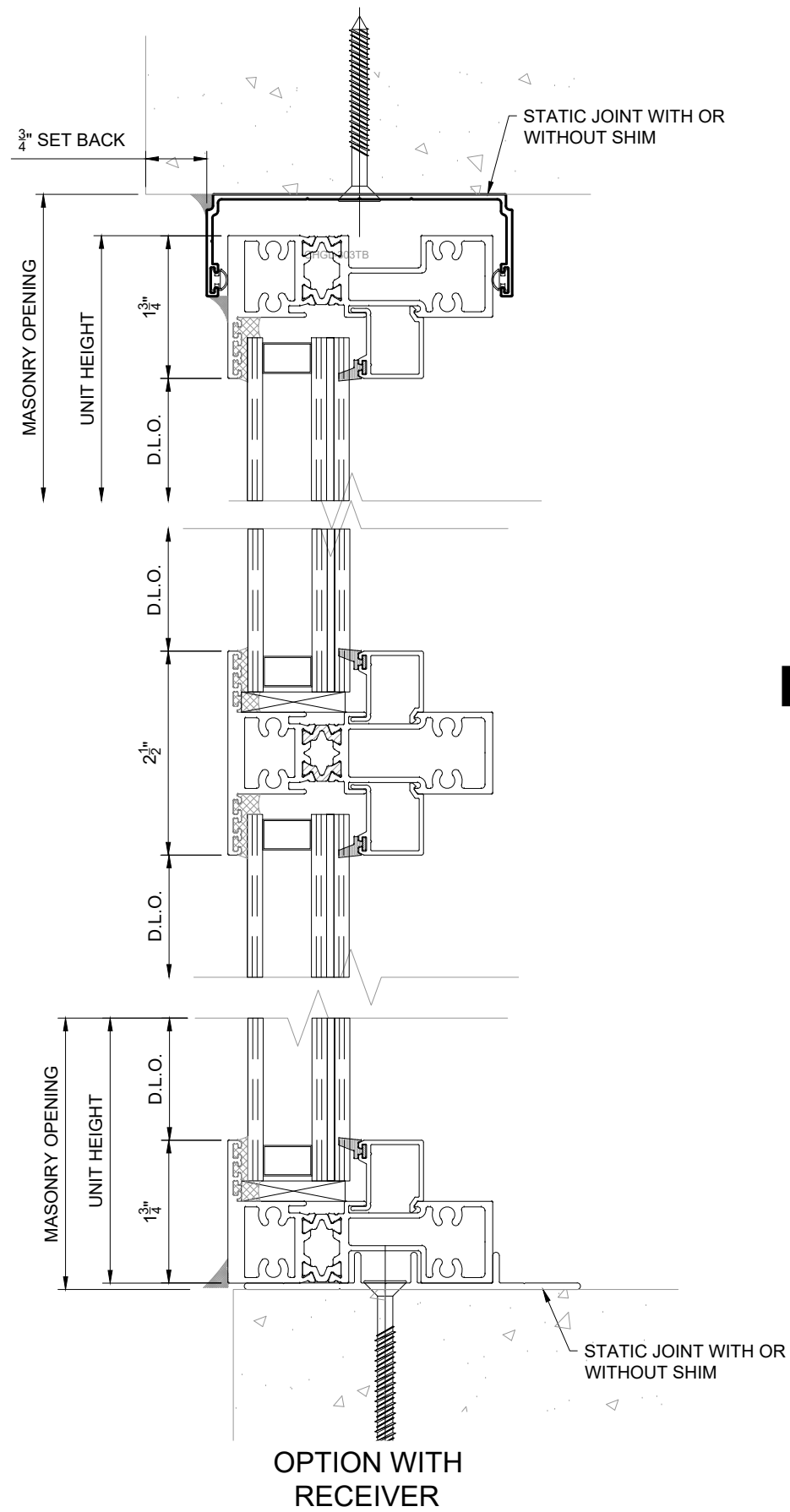
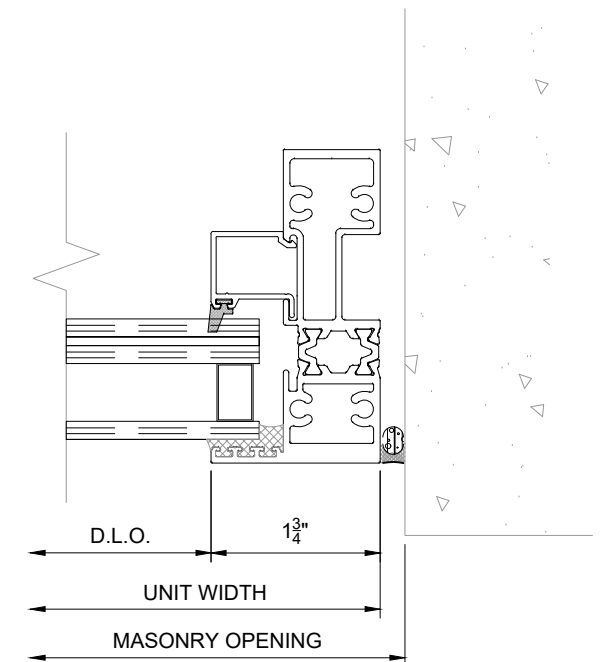
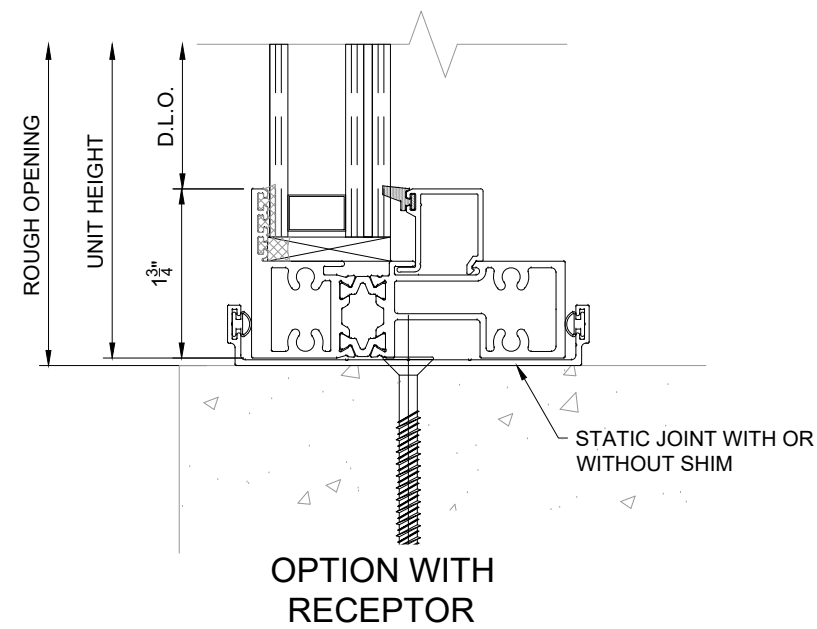


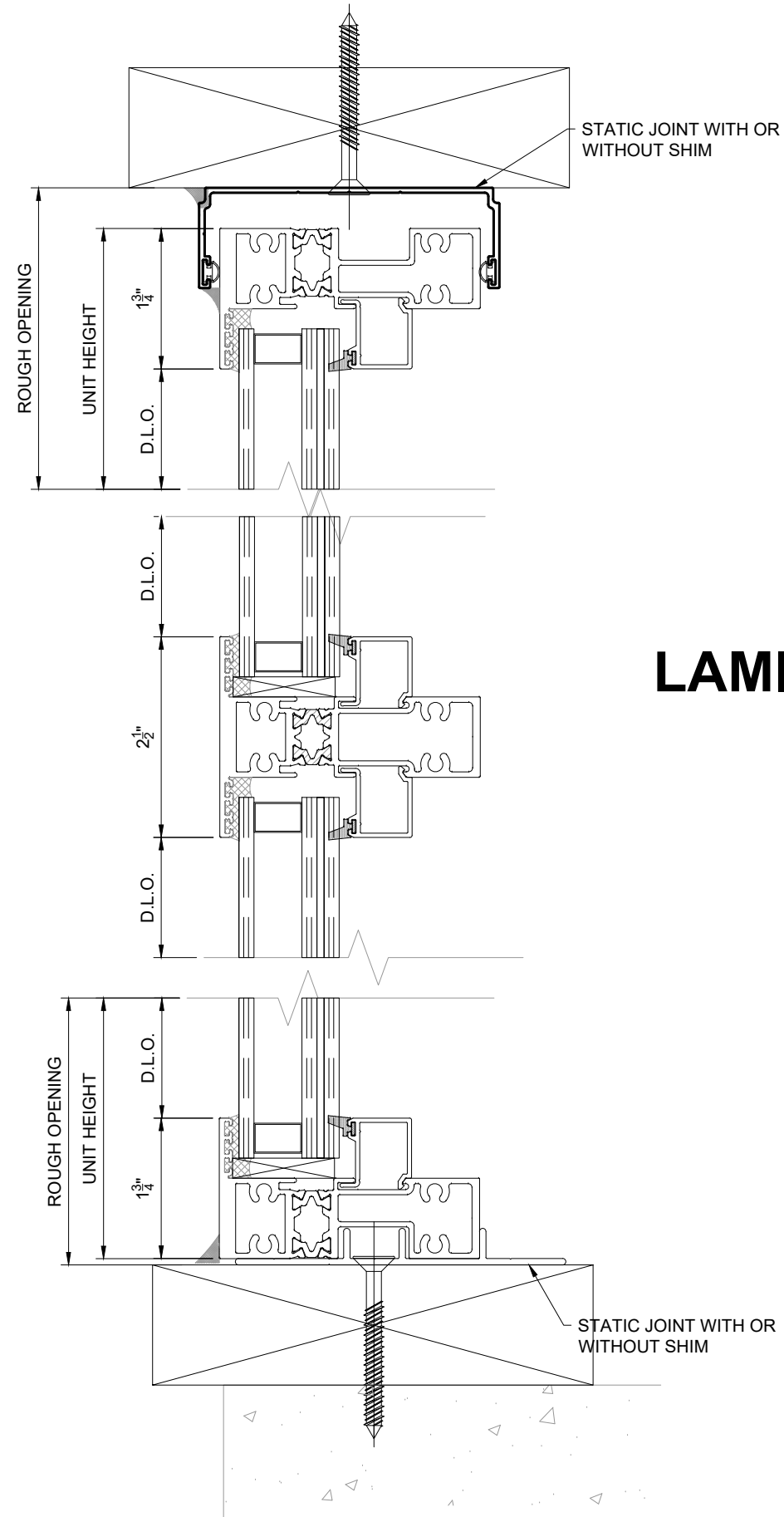
325TB SERIES STOREFRONT (IMPACT) CONCRETE/MASON OR 1BY WOOD BUCK INSTALLATION



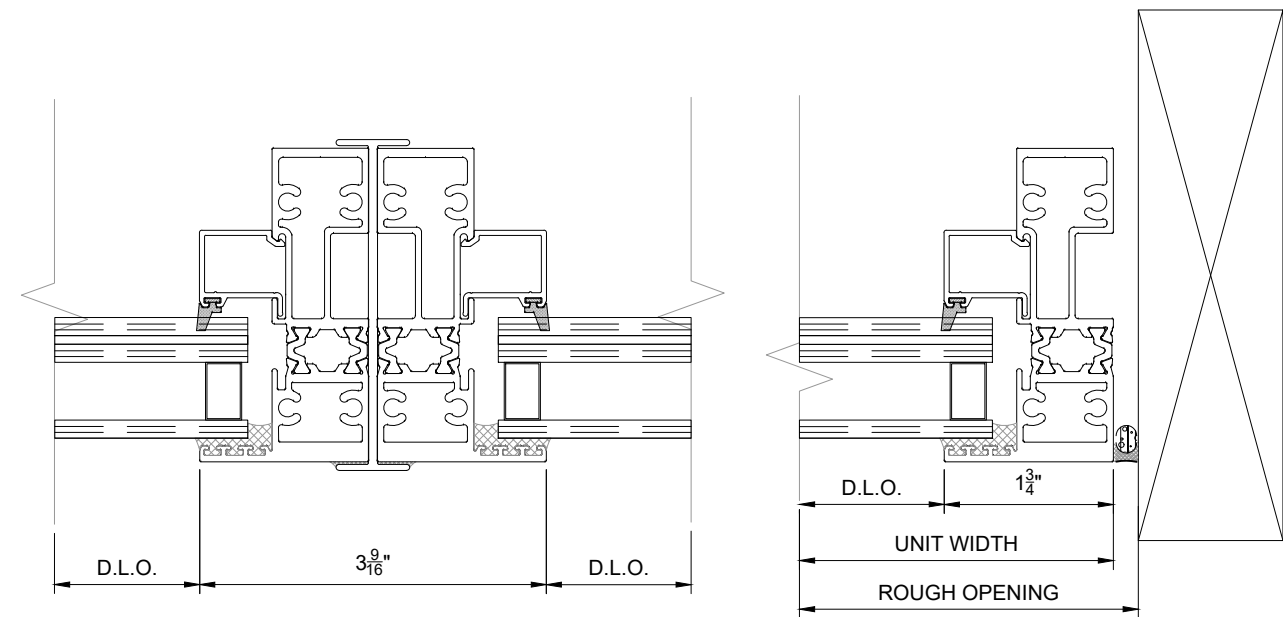
LAMINATED INSULATED GLASS



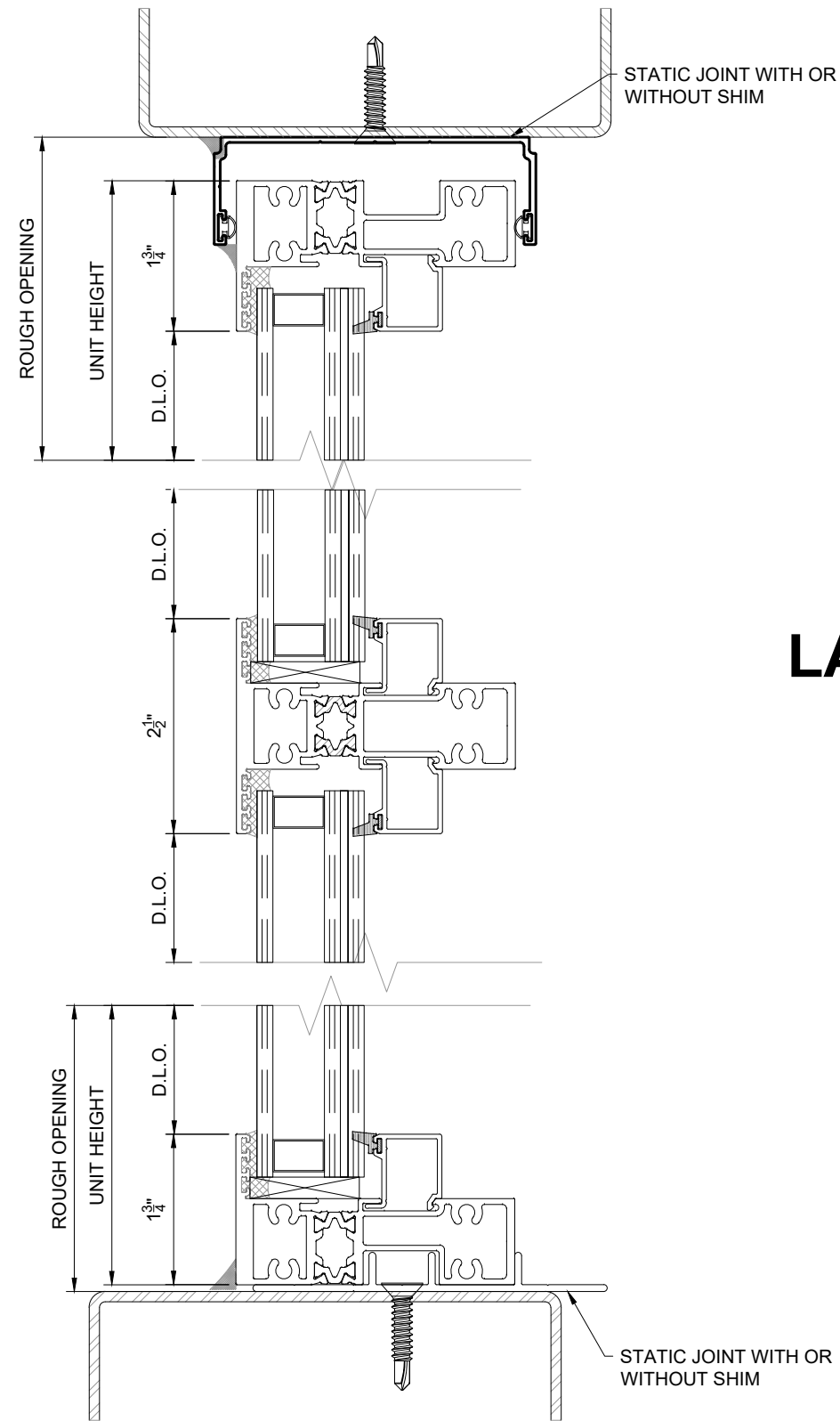
325TB SERIES STOREFRONT (IMPACT) WOOD STRUCTURE/2BY WOOD BUCK INSTALLATION



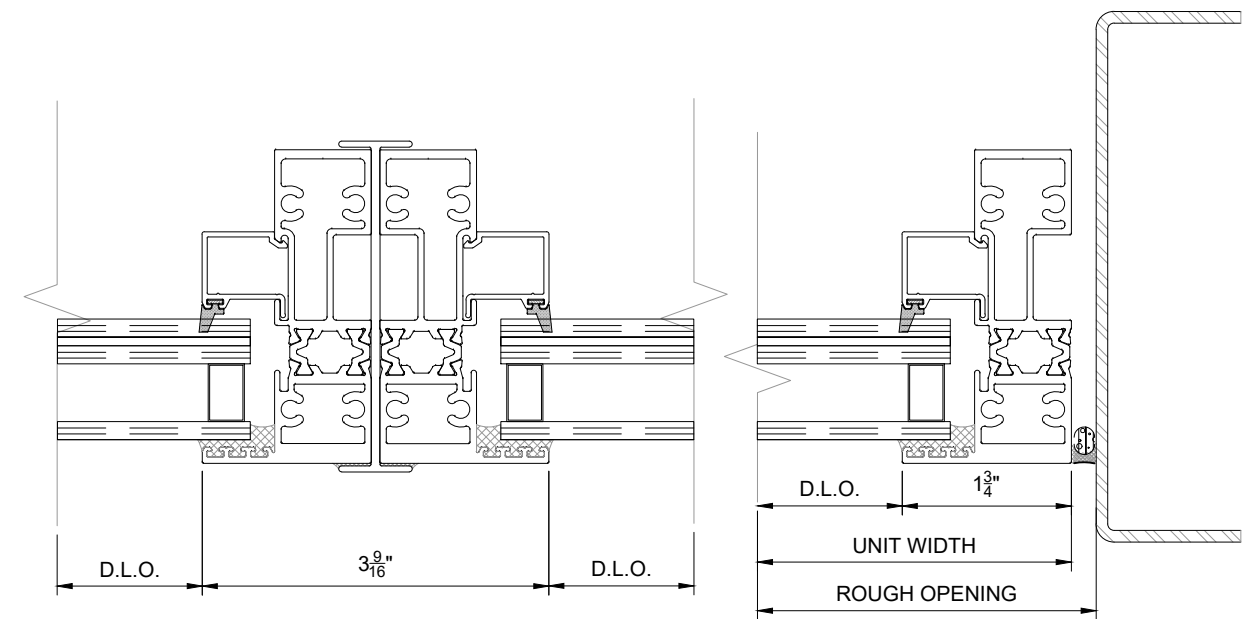
LAMINATED INSULATED GLASS



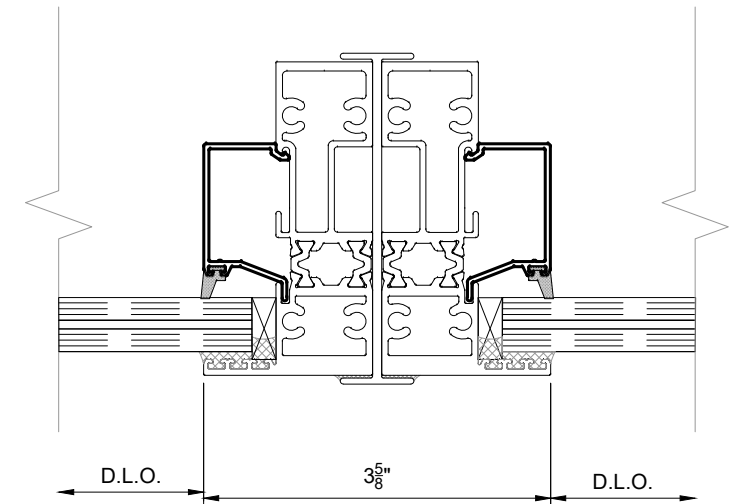
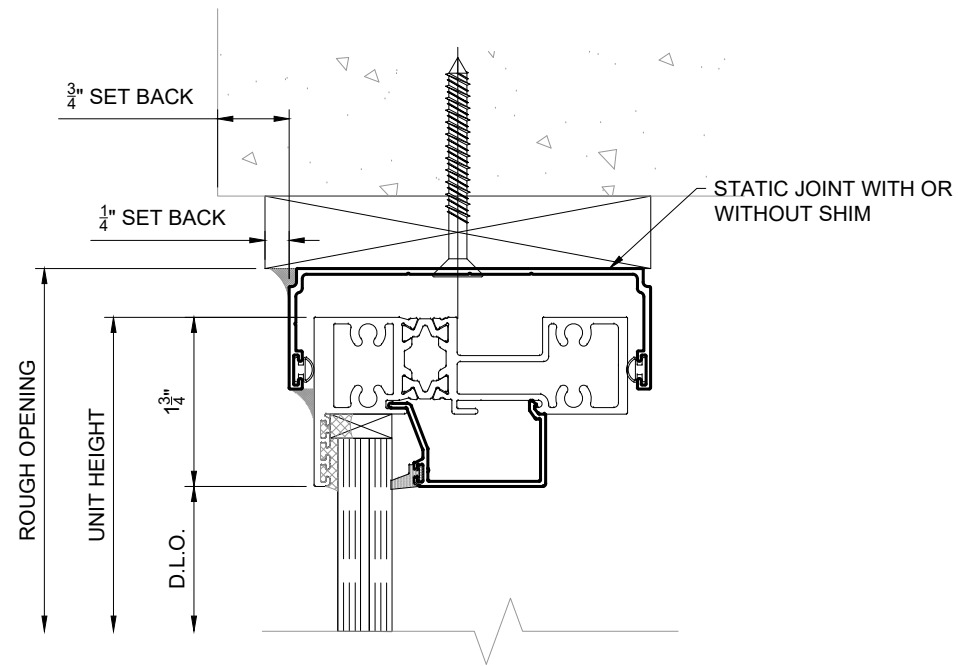
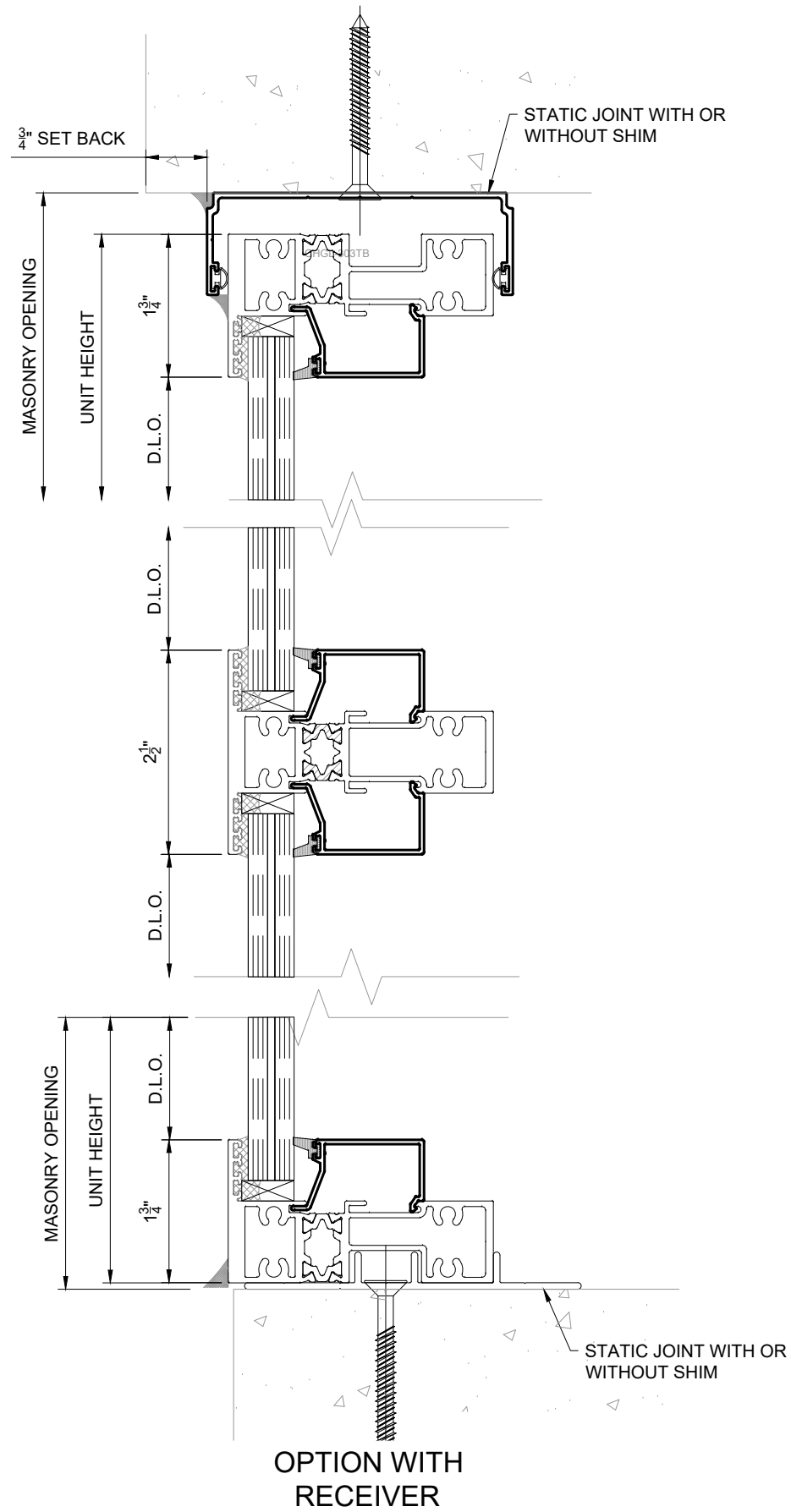
325TB SERIES STOREFRONT (IMPACT) ALUMINUM OR STEEL FRAMING INSTALLATION



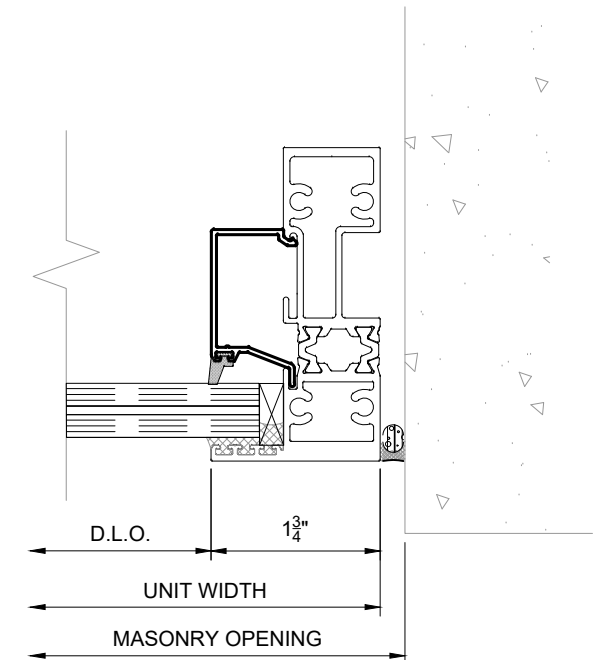
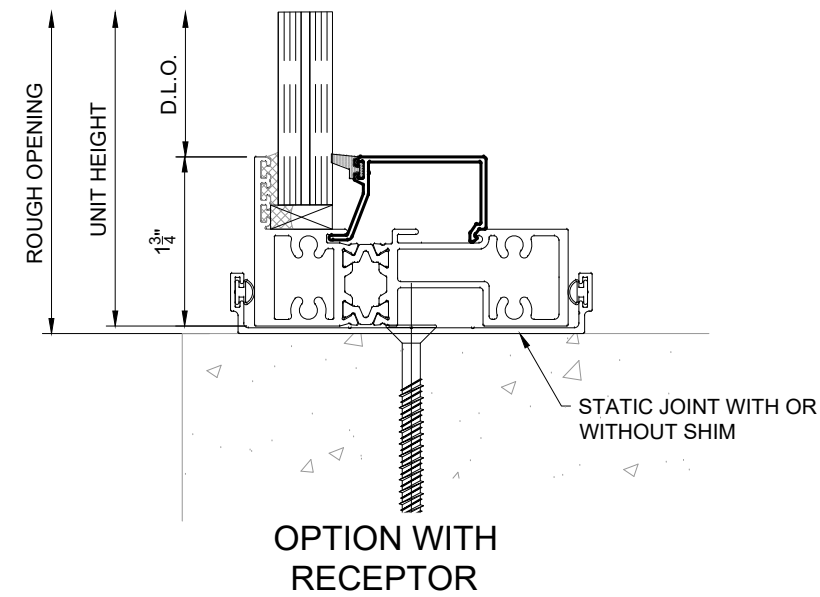
LAMINATED INSULATED GLASS



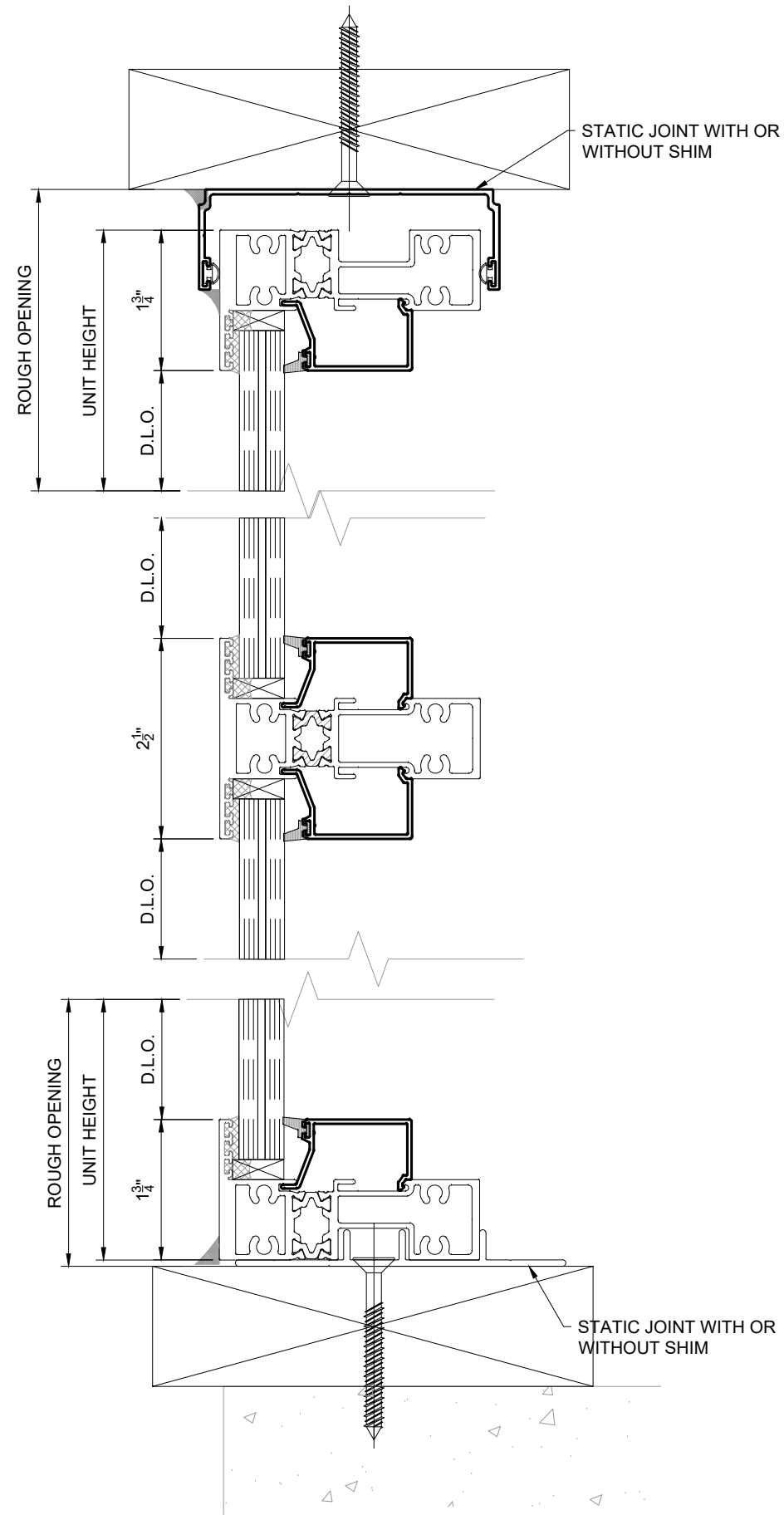
325TB SERIES STOREFRONT (IMPACT) CONCRETE/MASON OR 1BY WOOD BUCK INSTALLATION



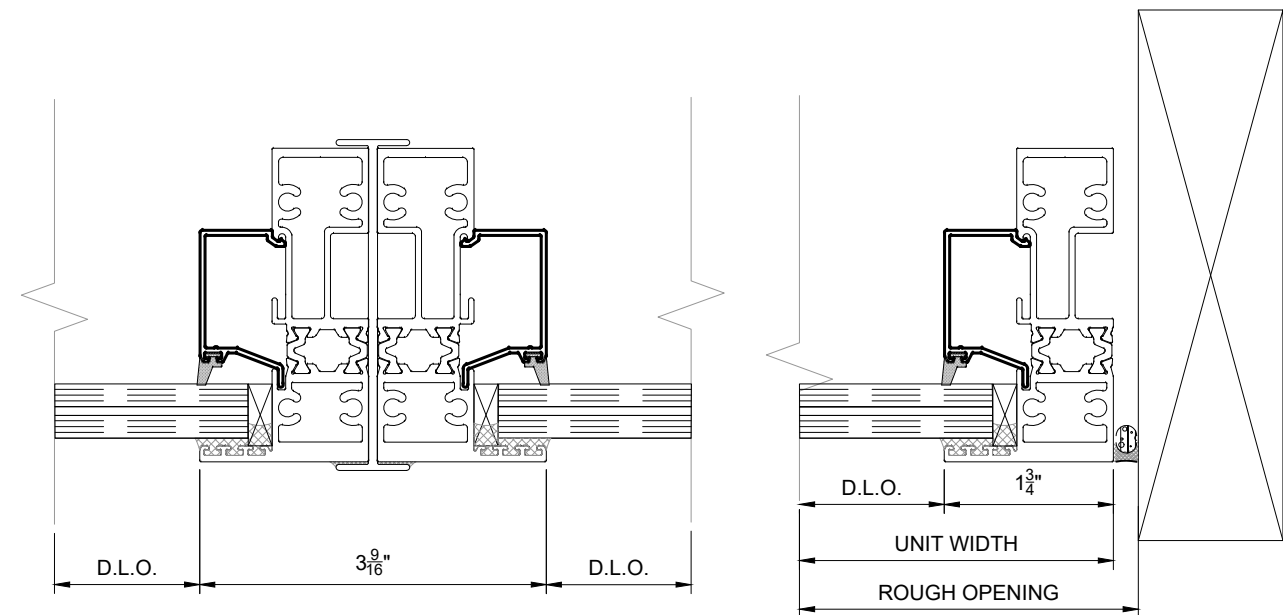
LAMINATED GLASS



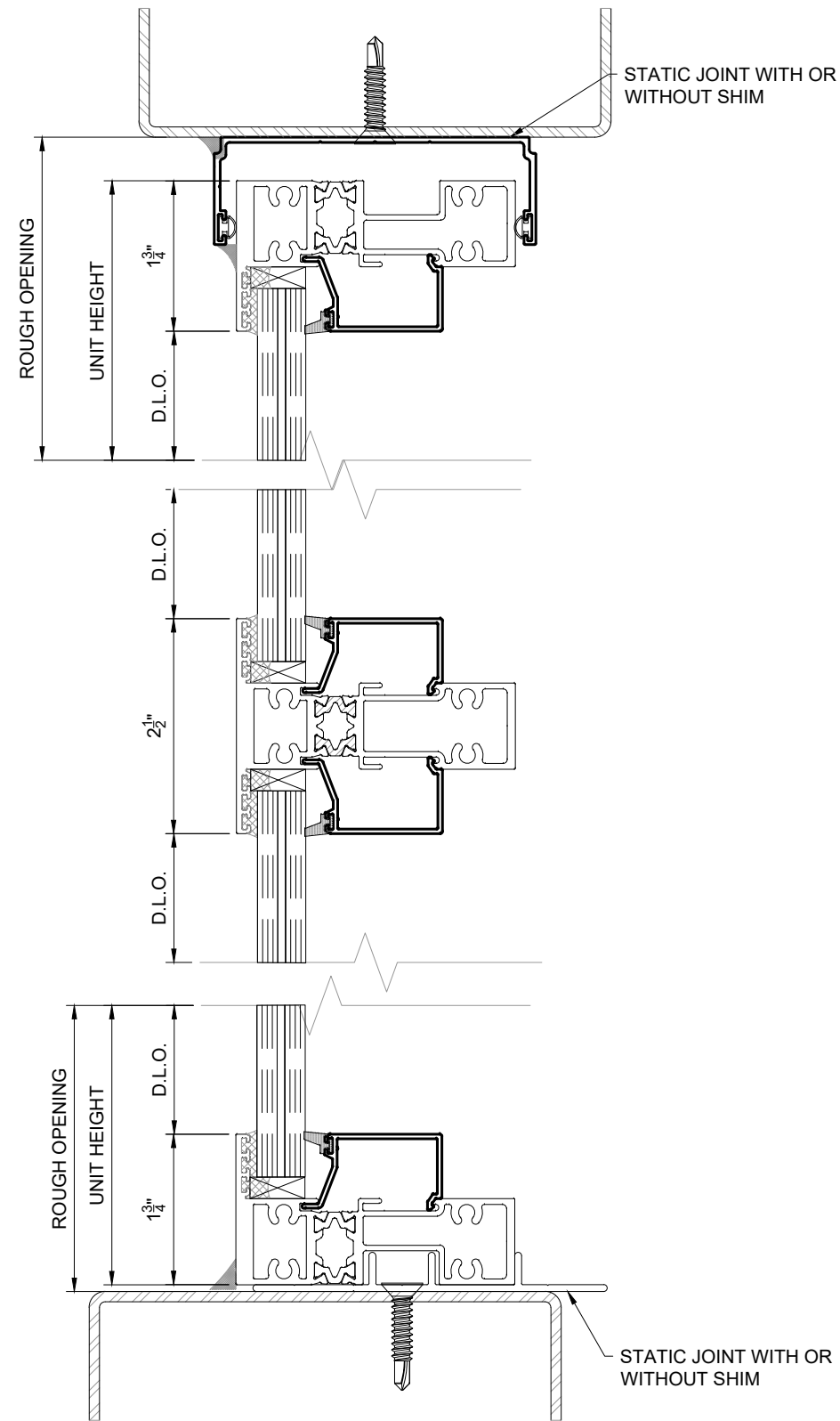
325TB SERIES STOREFRONT (IMPACT) WOOD STRUCTURE/2BY WOOD BUCK INSTALLATION



LAMINATED GLASS



325TB SERIES STOREFRONT (IMPACT) ALUMINUM OR STEEL FRAMING INSTALLATION



LAMINATED GLASS

