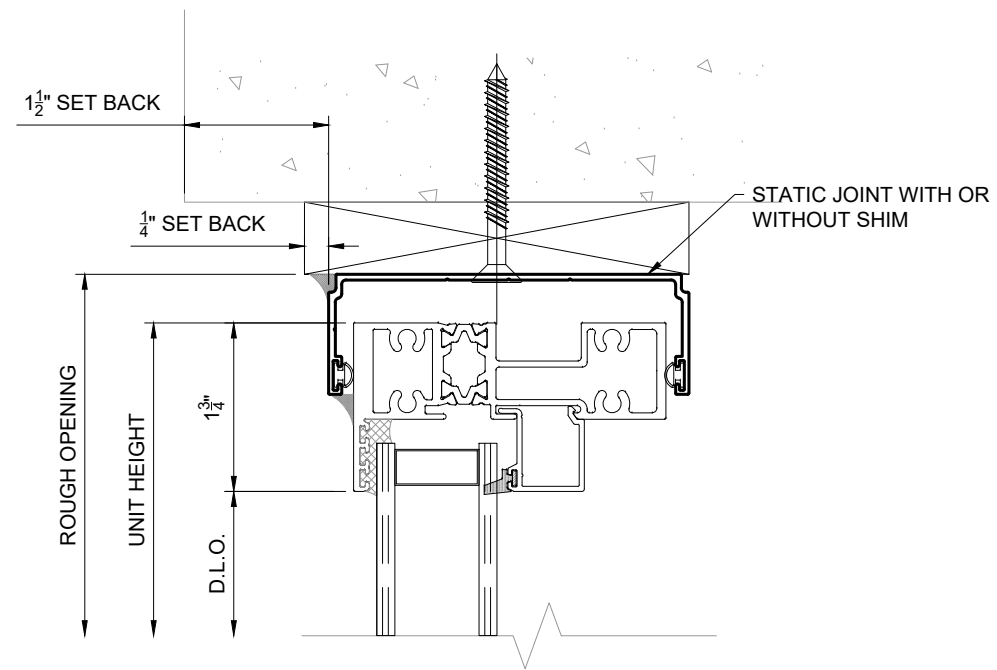
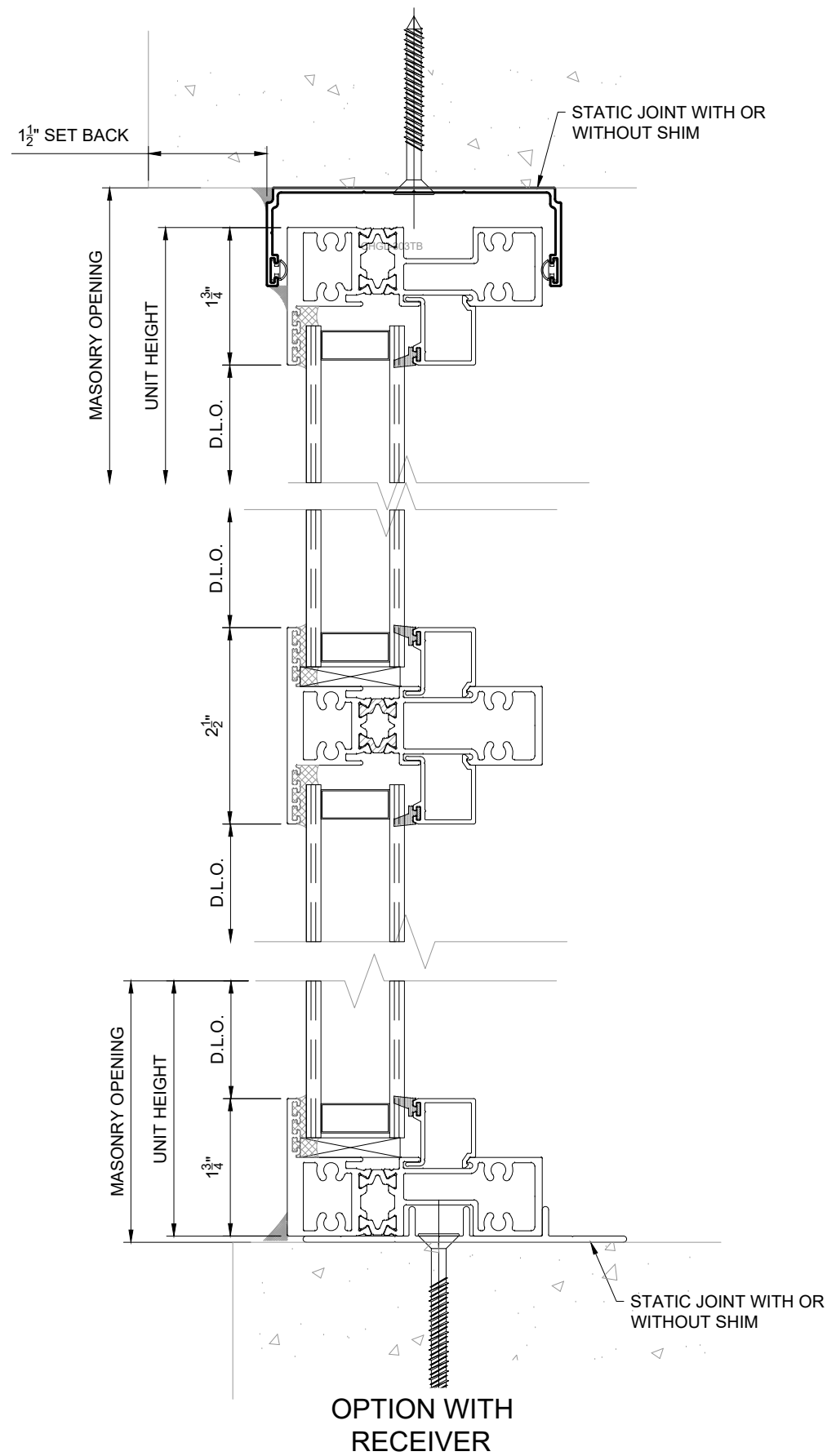
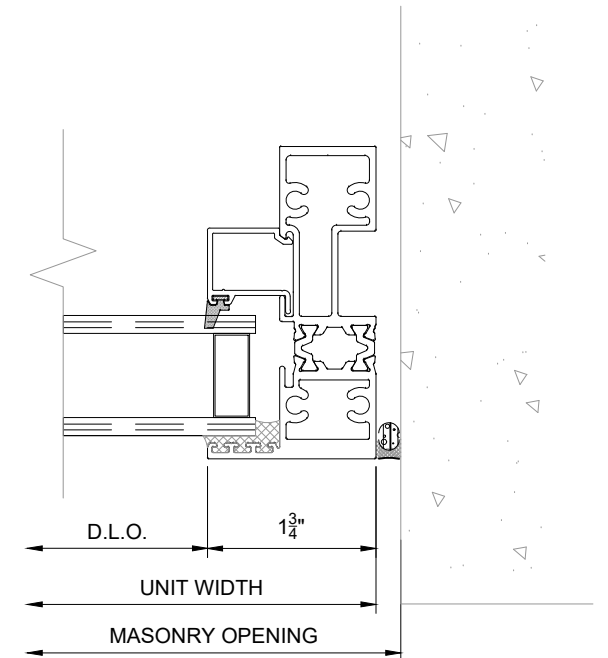
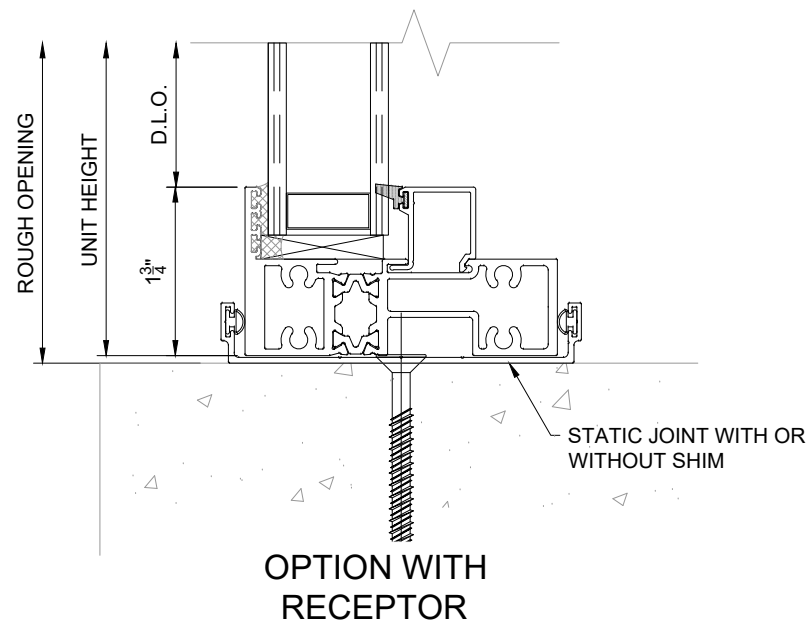
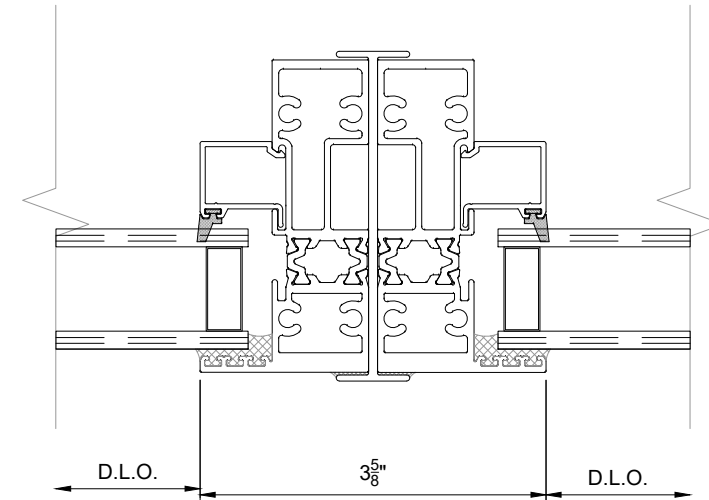


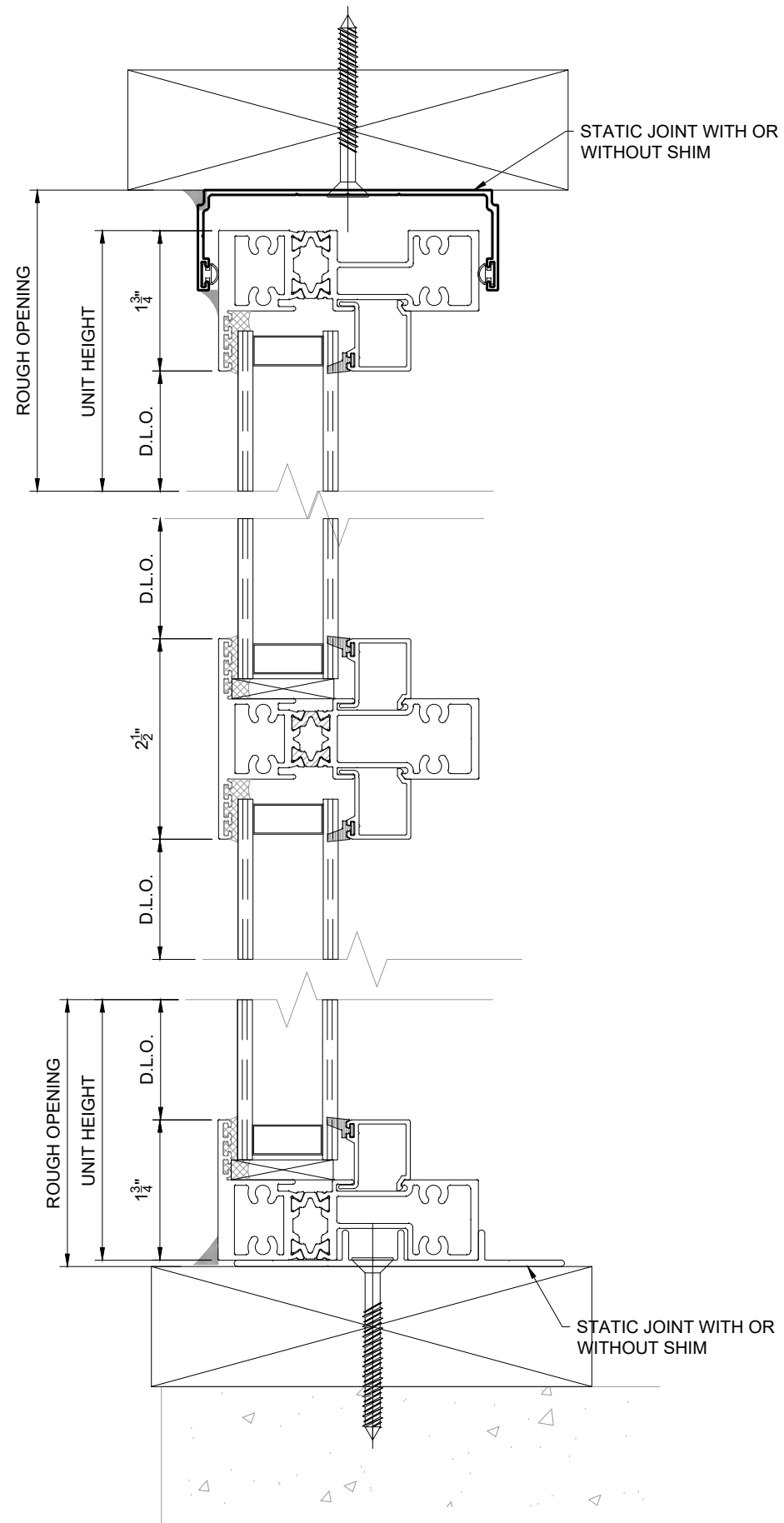
325TB SERIES STOREFRONT (NON-IMPACT) CONCRETE/MASON OR 1BY WOOD BUCK INSTALLATION



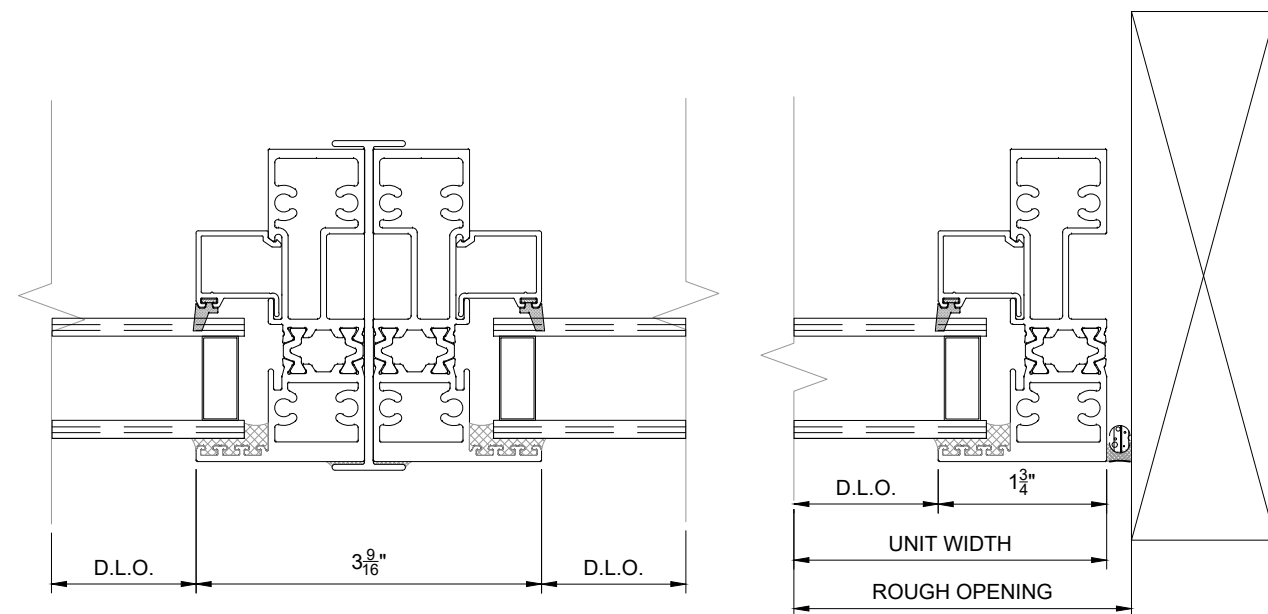
INSULATED GLASS



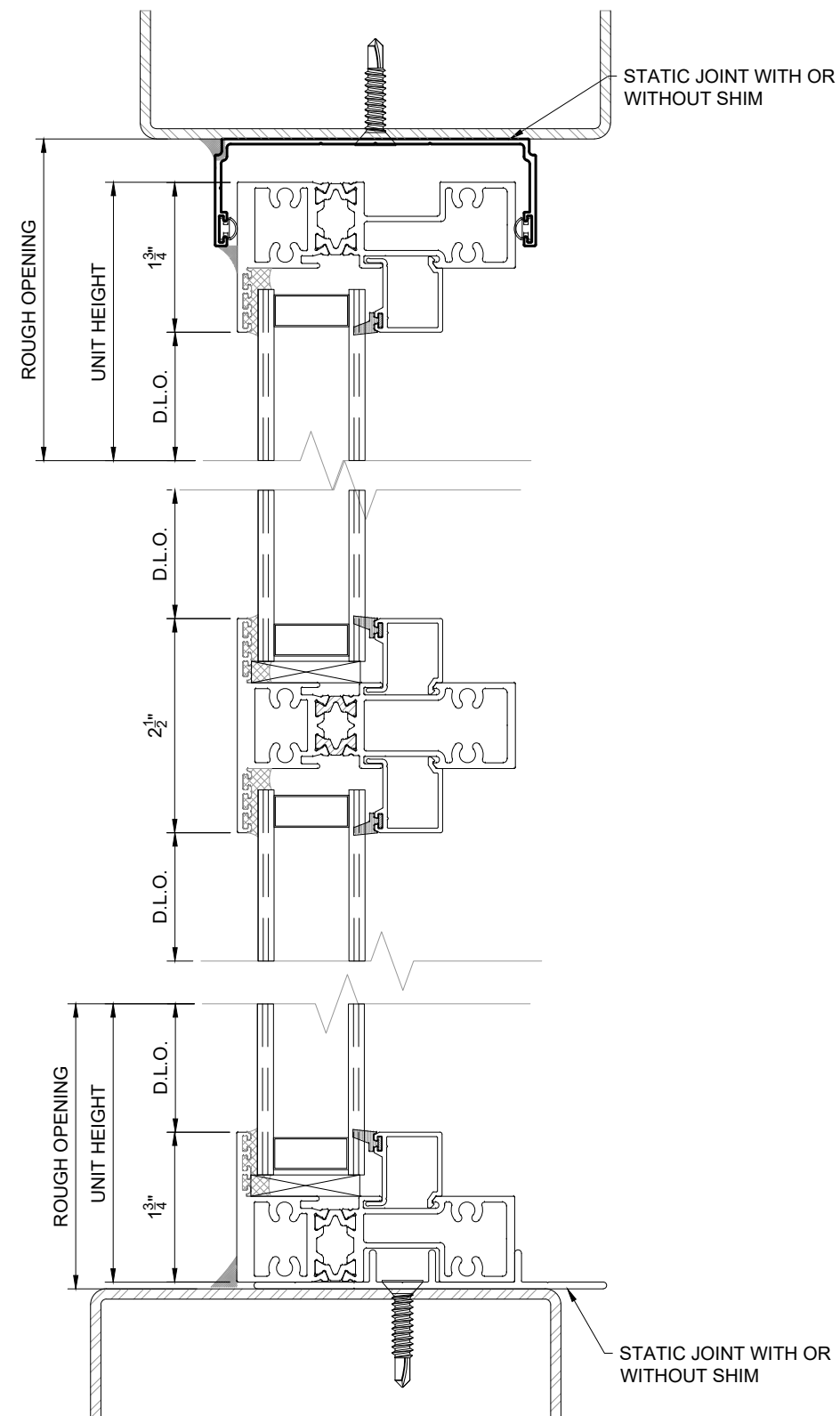
325TB SERIES STOREFRONT (NON-IMPACT) WOOD STRUCTURE/2BY WOOD BUCK INSTALLATION



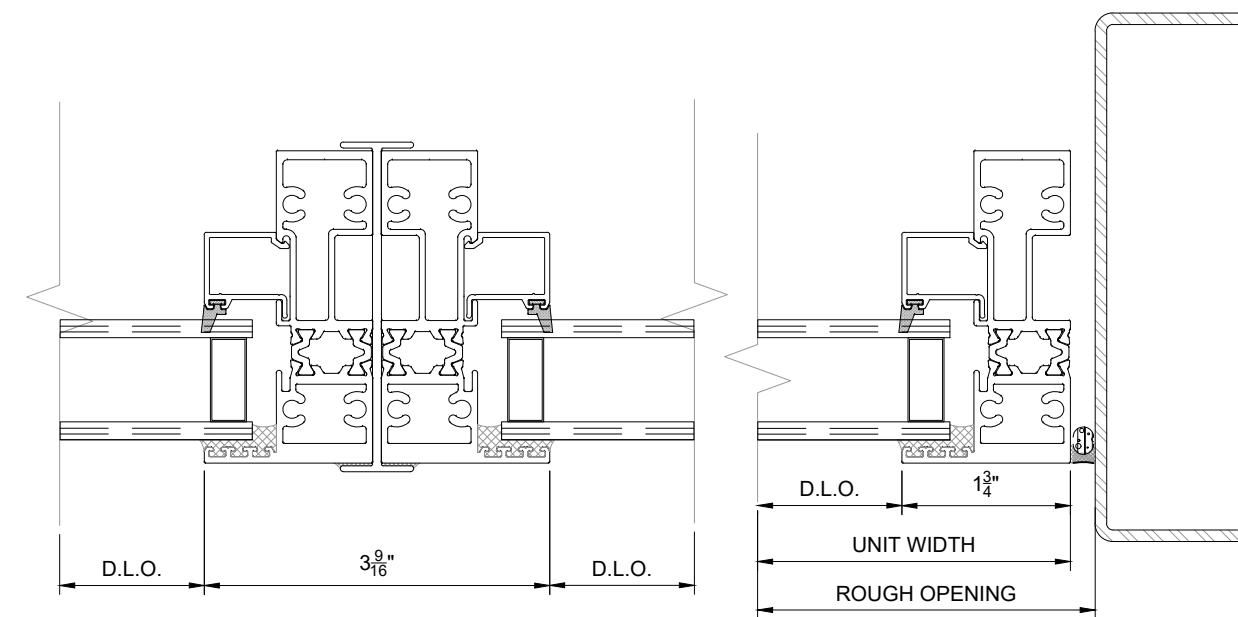
INSULATED GLASS



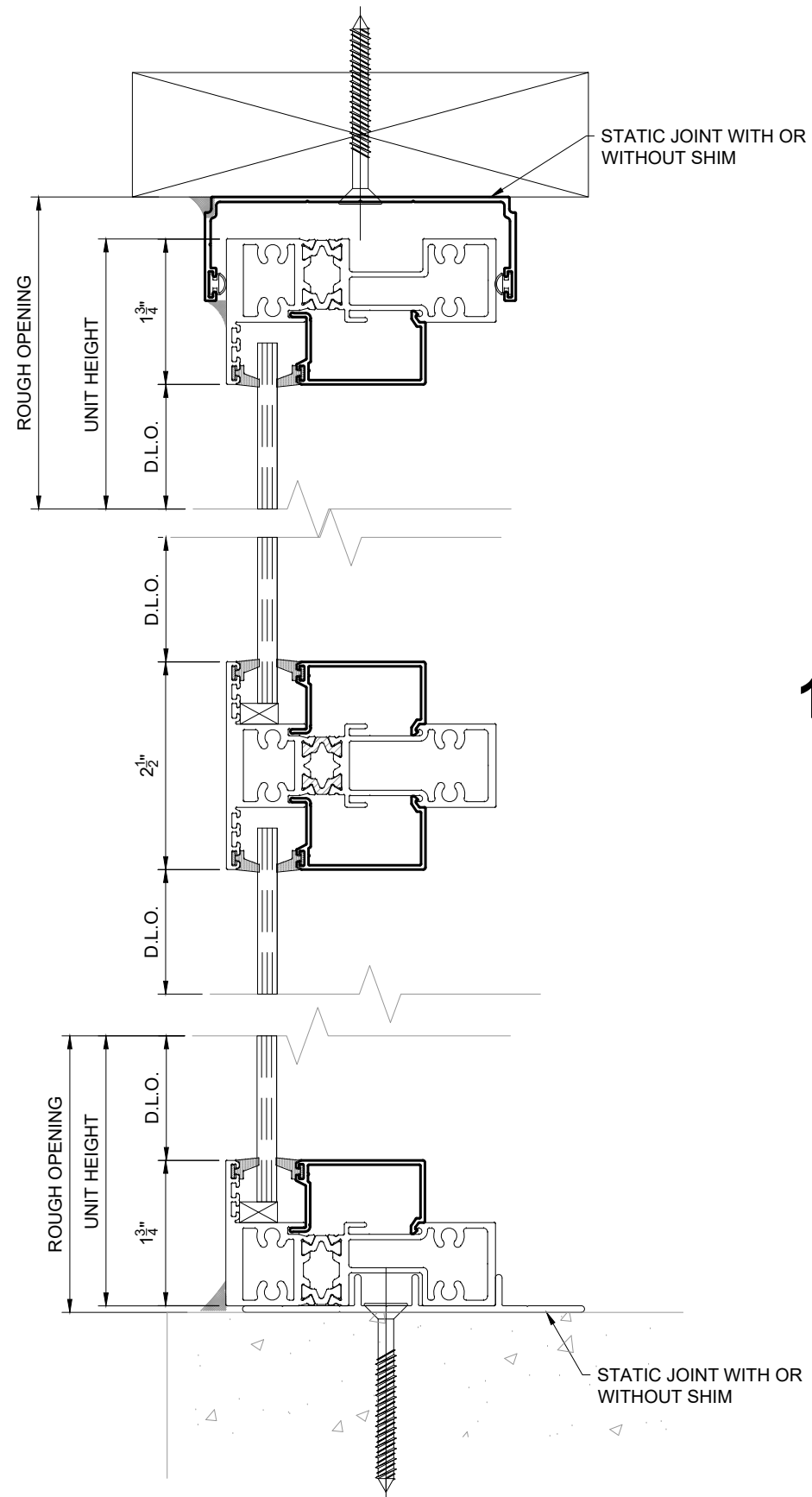
325TB SERIES STOREFRONT (NON-IMPACT) ALUMINUM OR STEEL FRAMING INSTALLATION



INSULATED GLASS



325TB SERIES STOREFRONT (NON-IMPACT) INTERIOR INSTALLATION



1/4" TEMPERED GLASS

