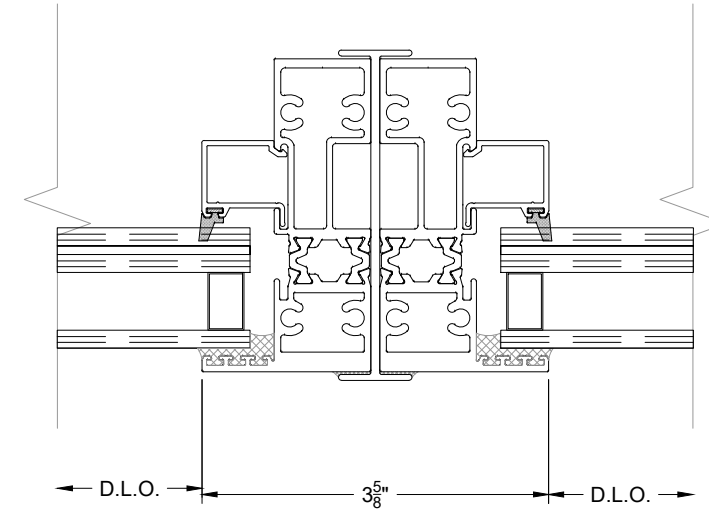
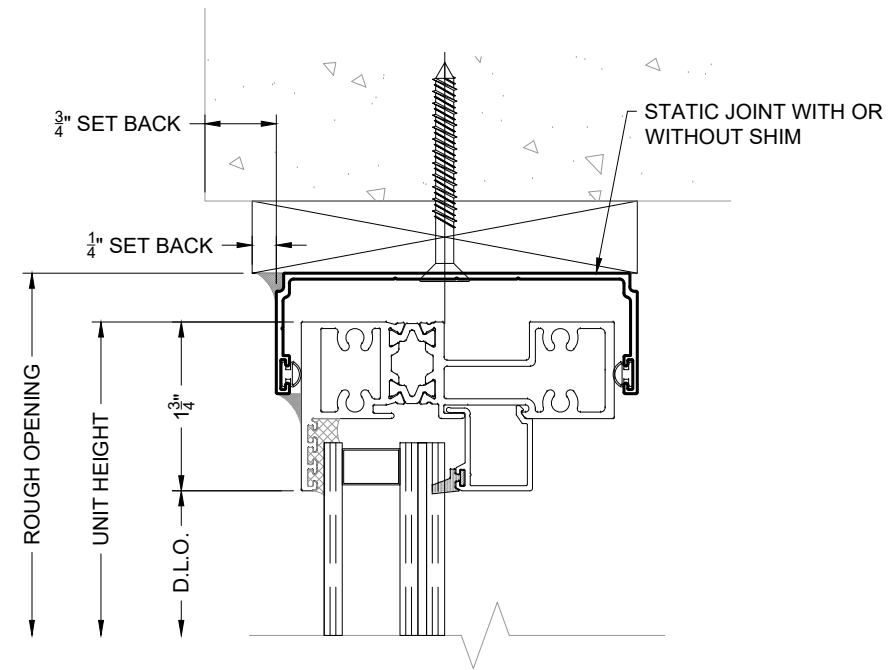
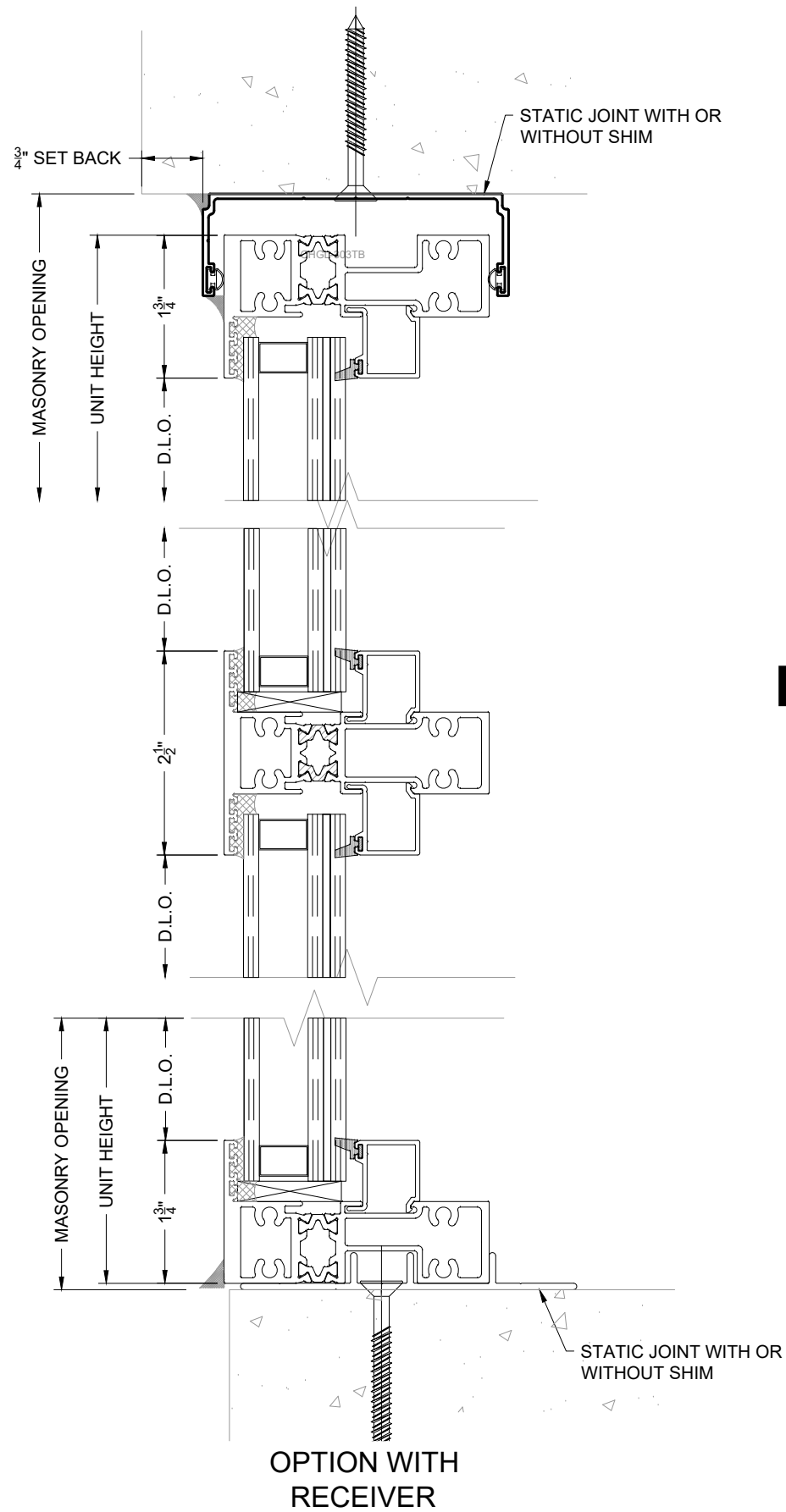
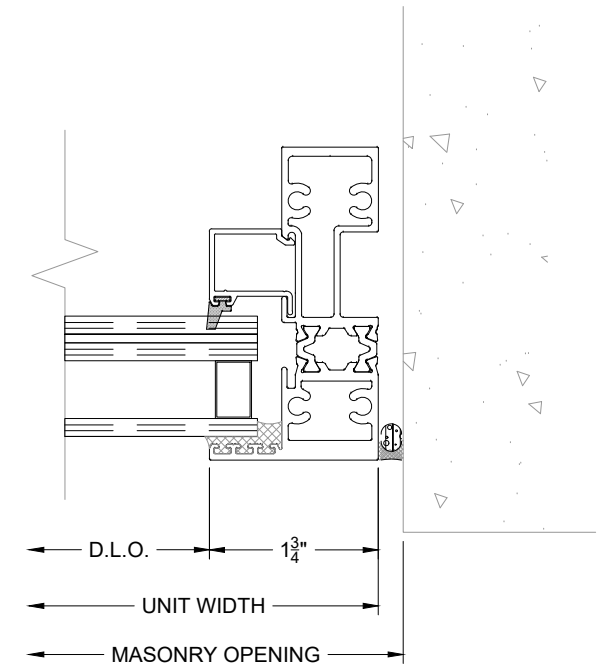
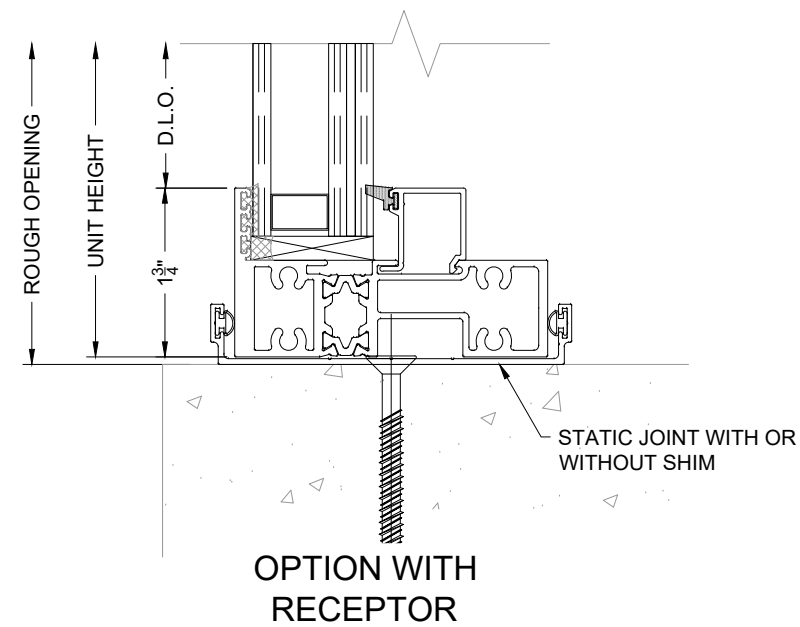


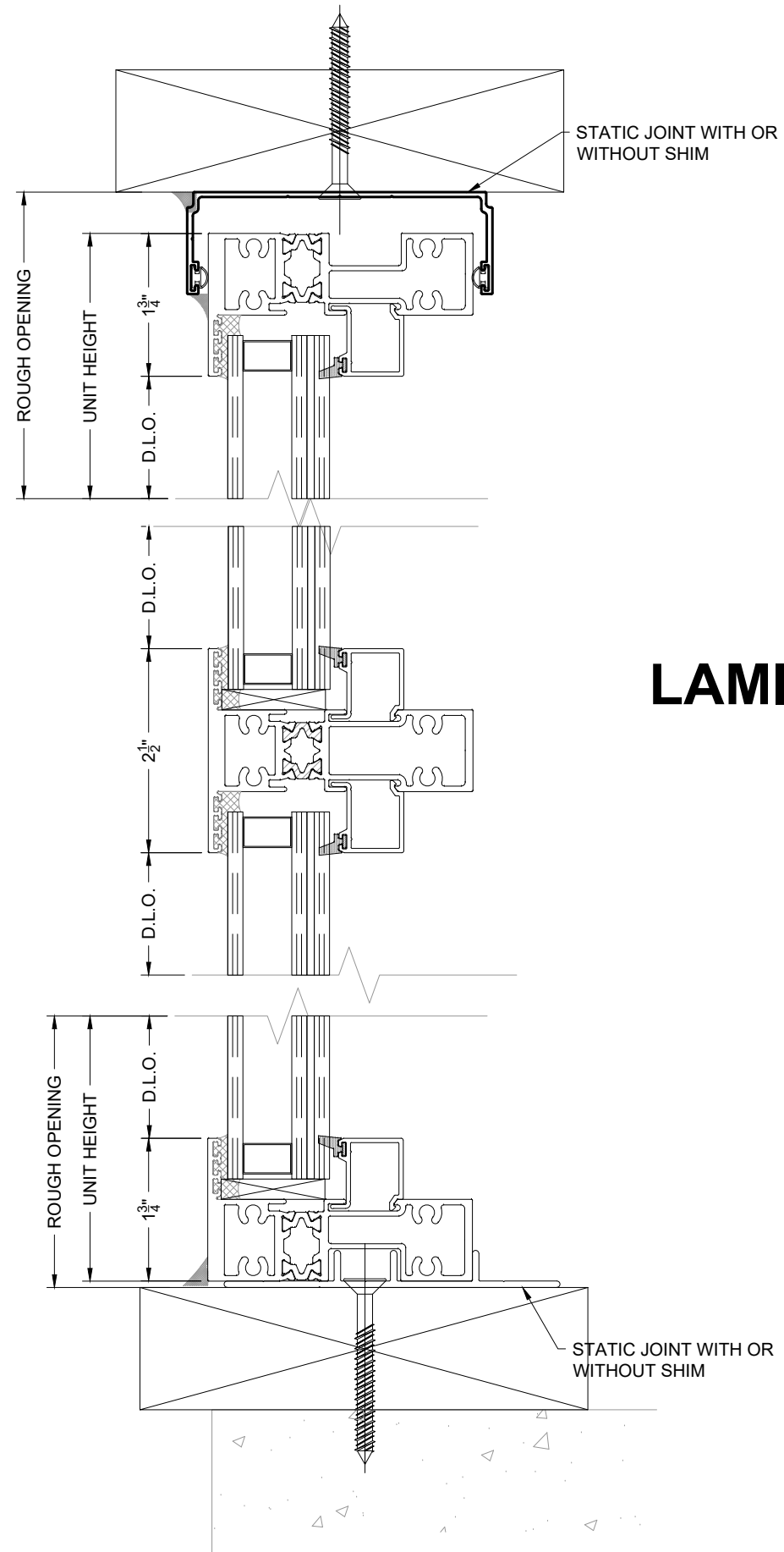
325TB SERIES WINDOW/LOUVER (IMPACT) CONCRETE/MASON OR 1BY WOOD BUCK INSTALLATION



LAMINATED INSULATED GLASS



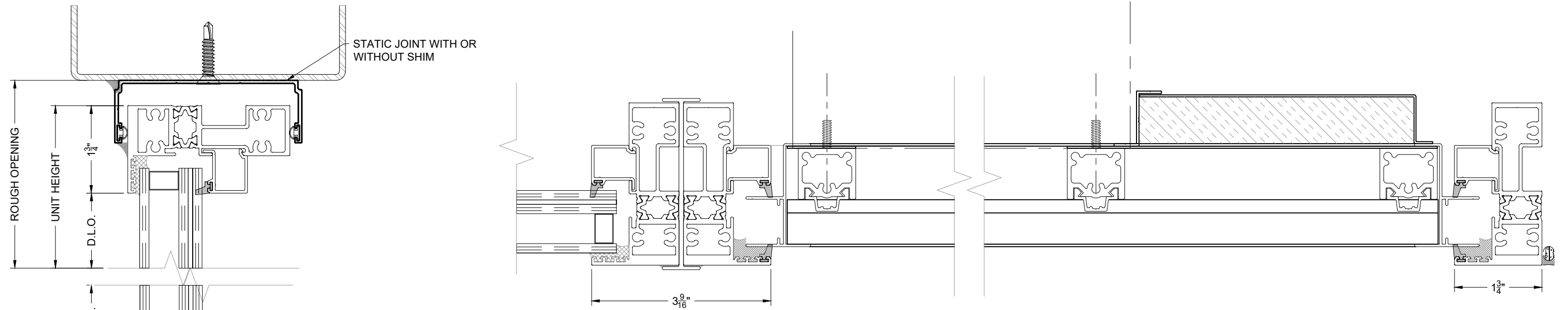
325TB SERIES WINDOW/LOUVER (IMPACT) WOOD STRUCTURE/2BY WOOD BUCK INSTALLATION



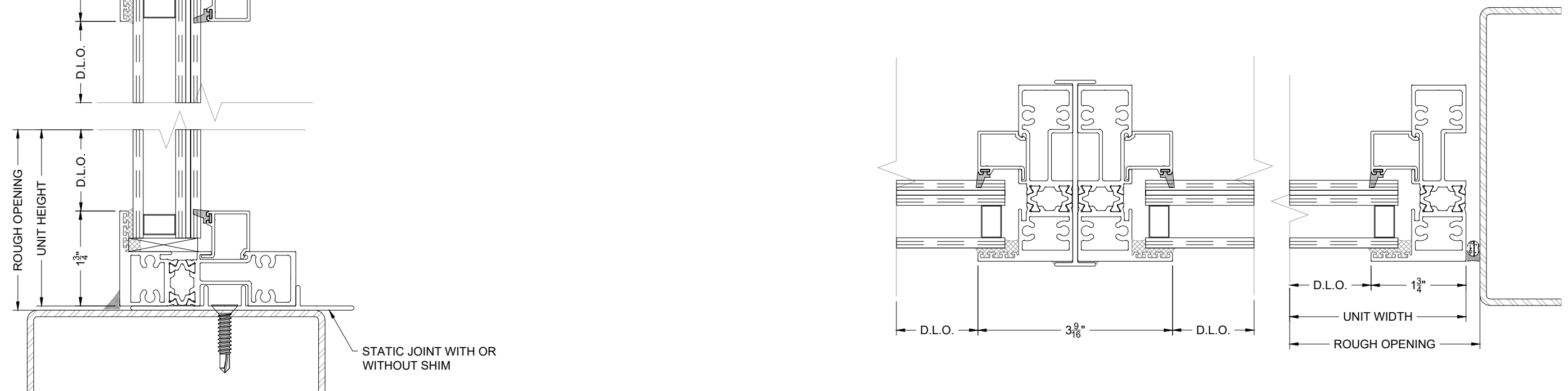
LAMINATED INSULATED GLASS



325TB SERIES WINDOW/LOUVER (IMPACT) ALUMINUM OR STEEL FRAMING INSTALLATION

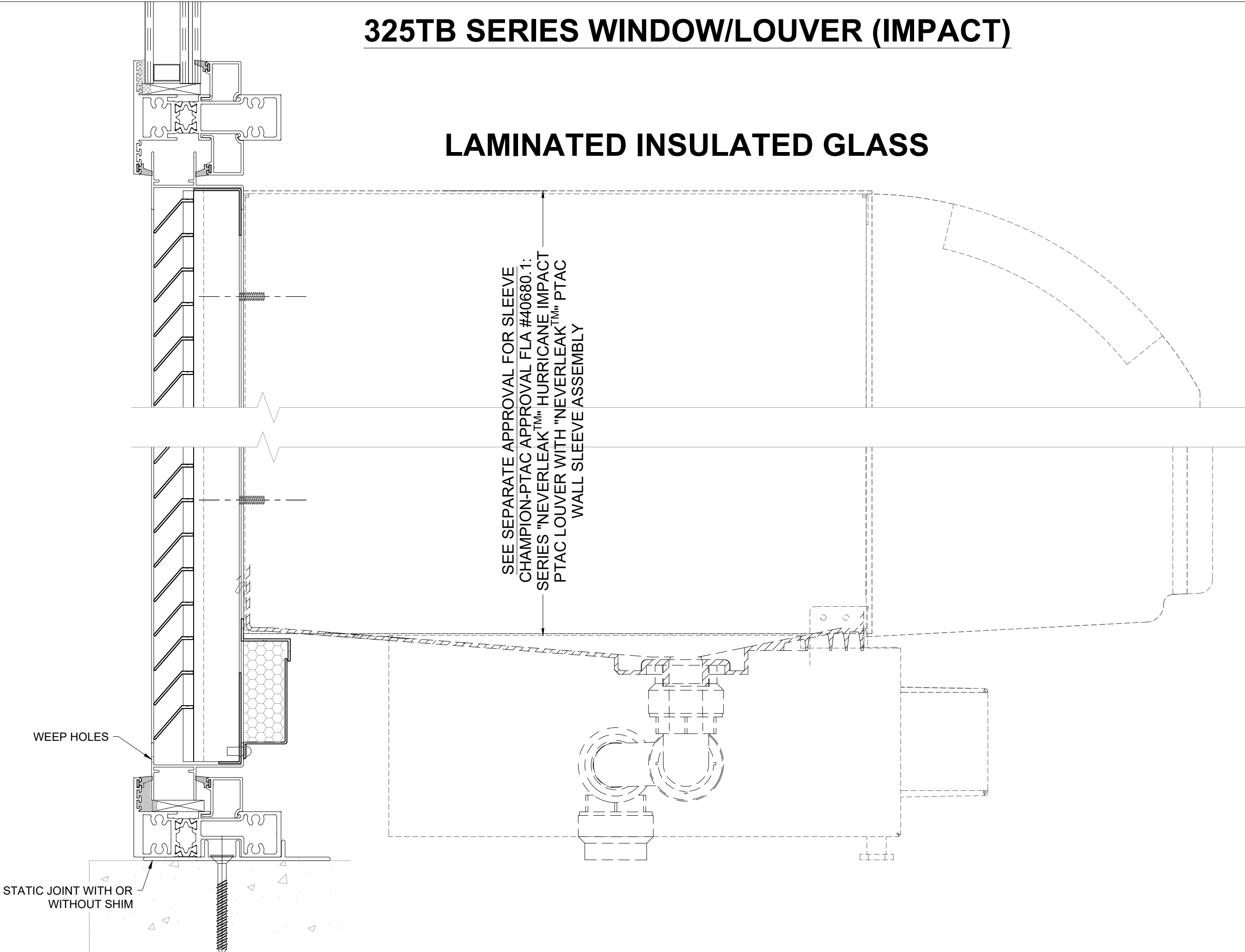


LAMINATED INSULATED GLASS



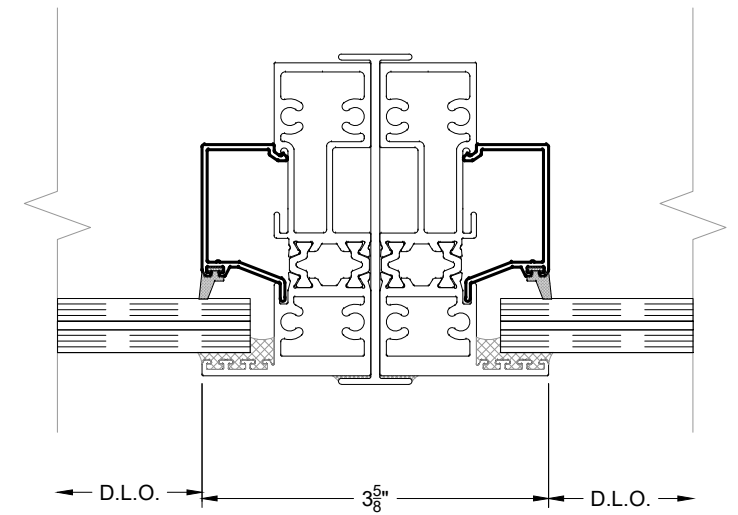
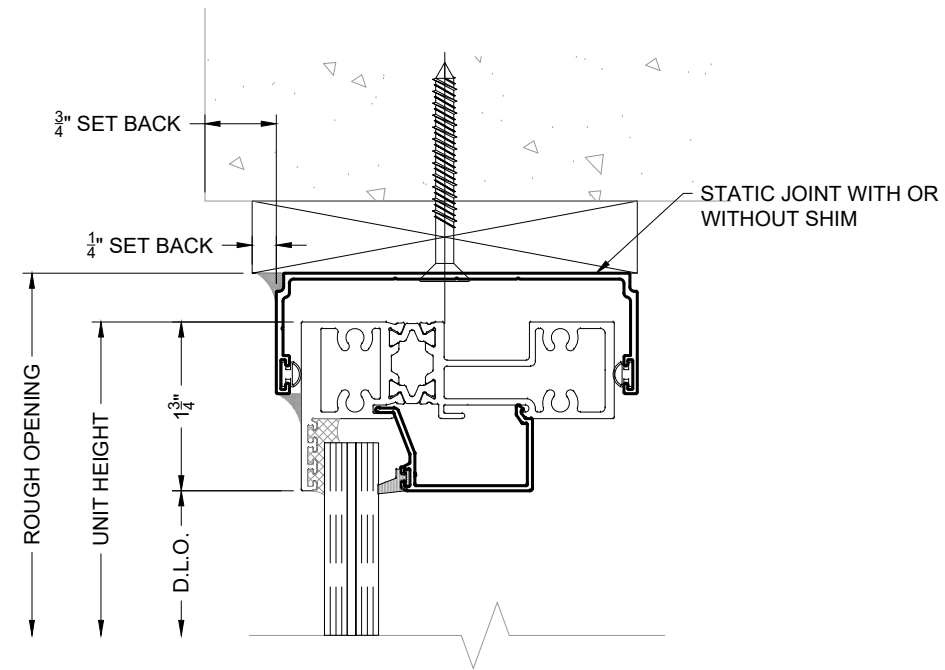
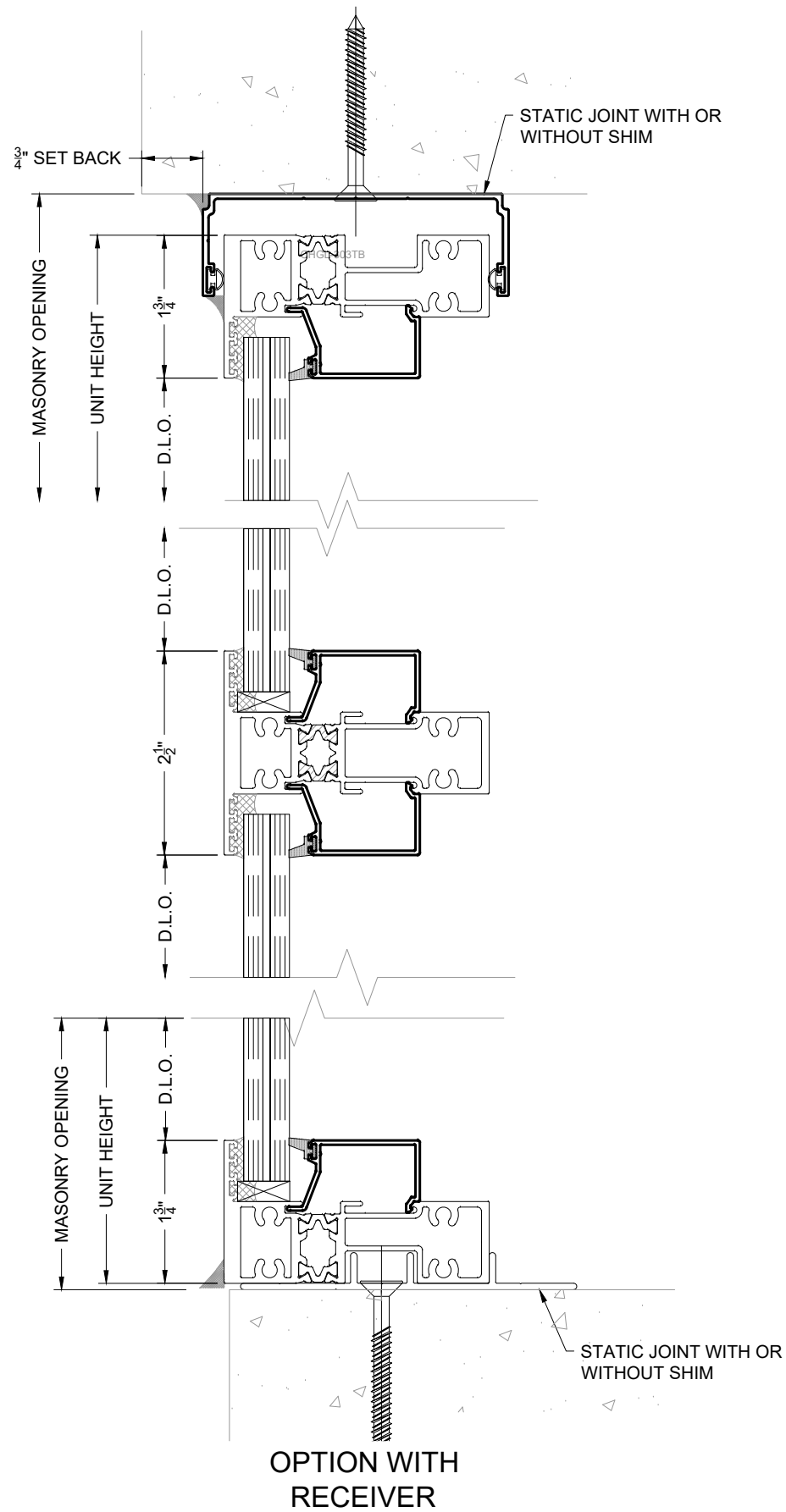
325TB SERIES WINDOW/LOUVER (IMPACT)

LAMINATED INSULATED GLASS

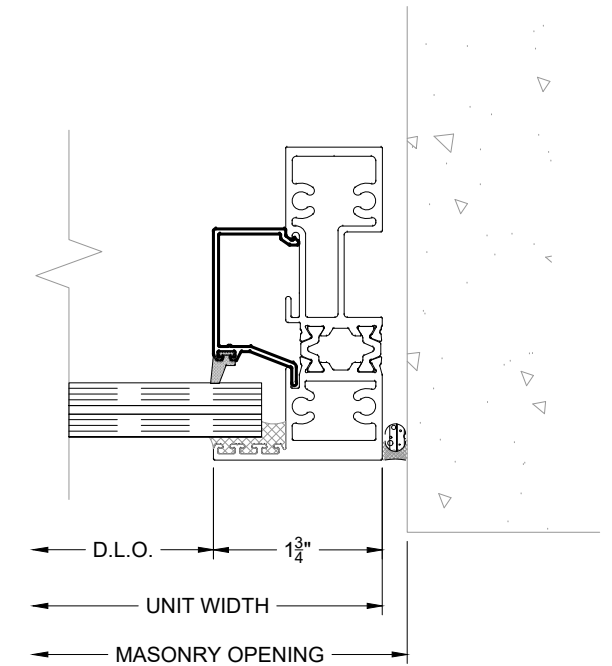
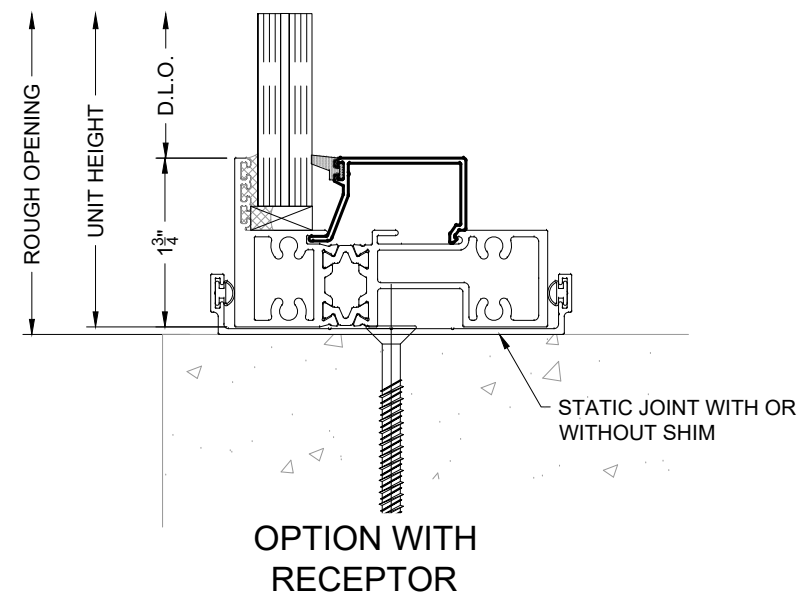


325TB SERIES WINDOW/LOUVER (IMPACT)

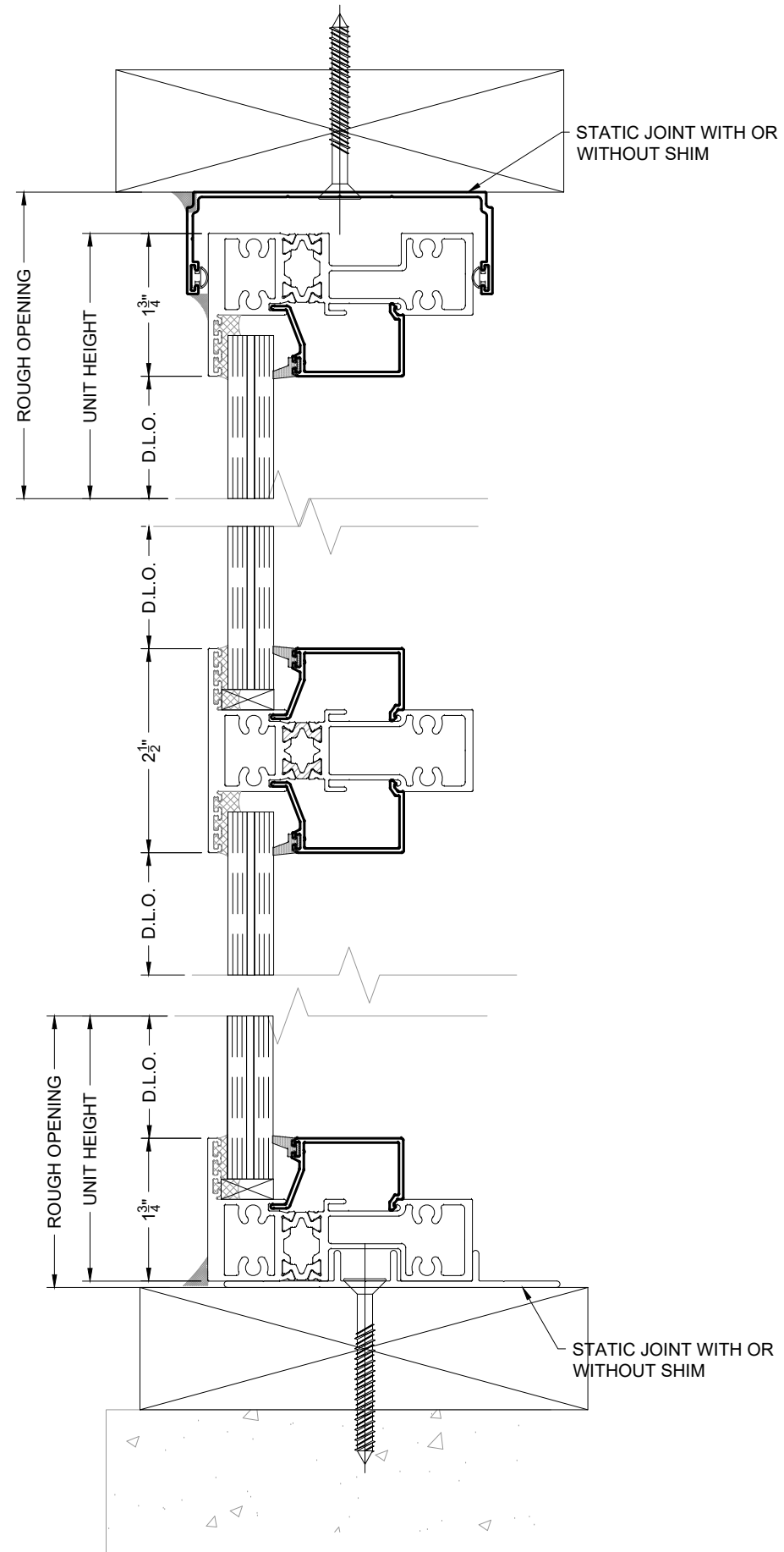
CONCRETE/MASON OR 1BY WOOD BUCK INSTALLATION



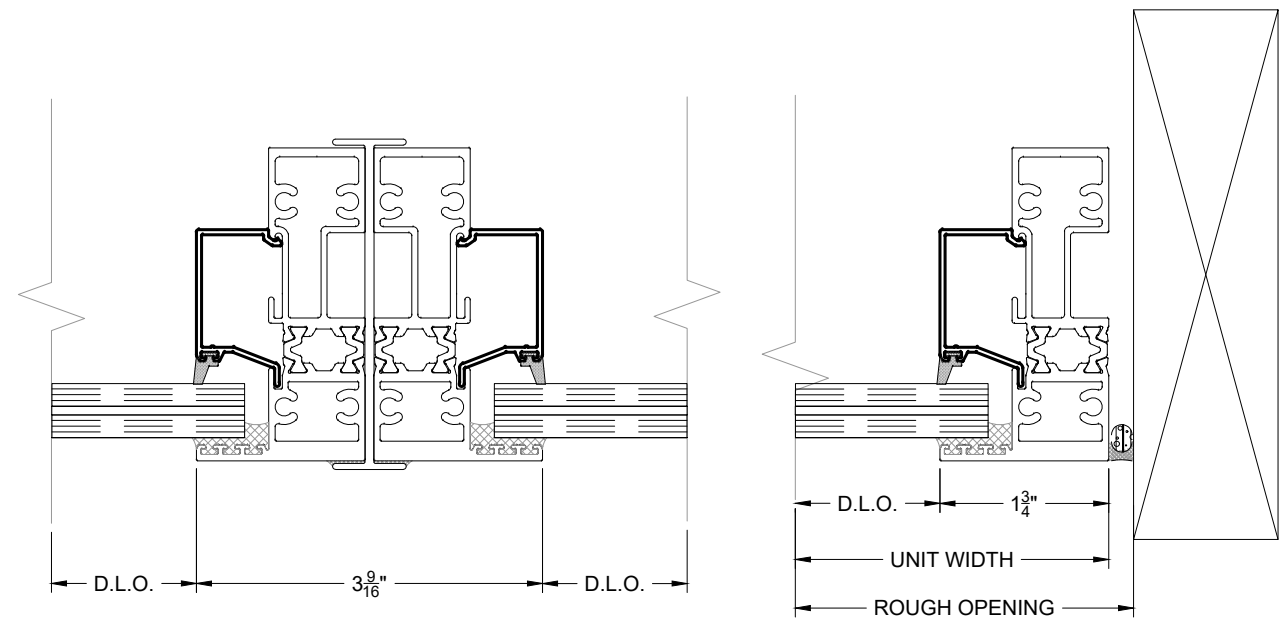
LAMINATED GLASS



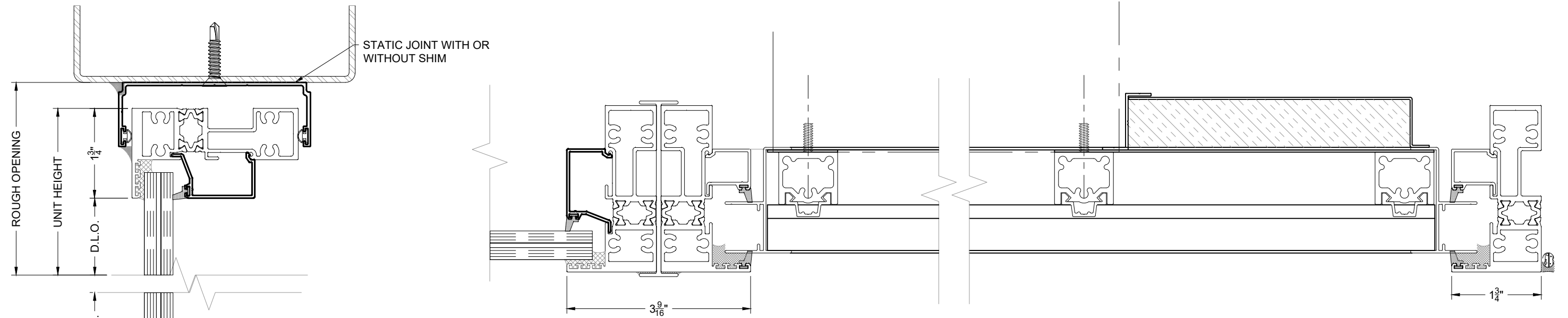
325TB SERIES WINDOW/LOUVER (IMPACT) WOOD STRUCTURE/2BY WOOD BUCK INSTALLATION



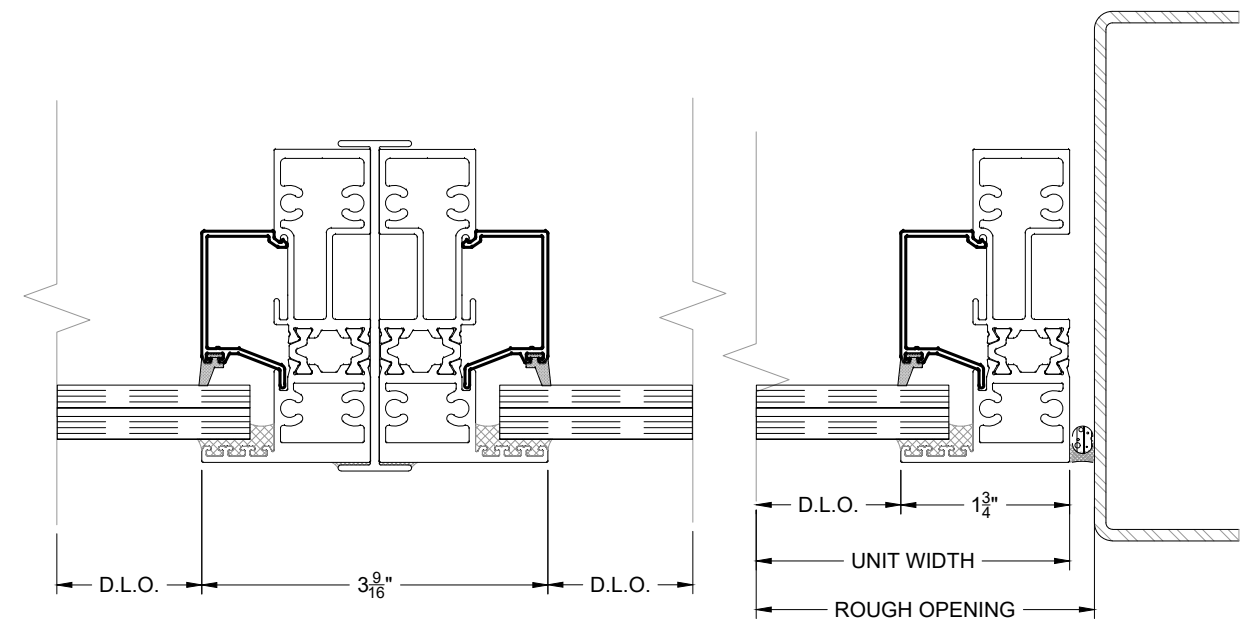
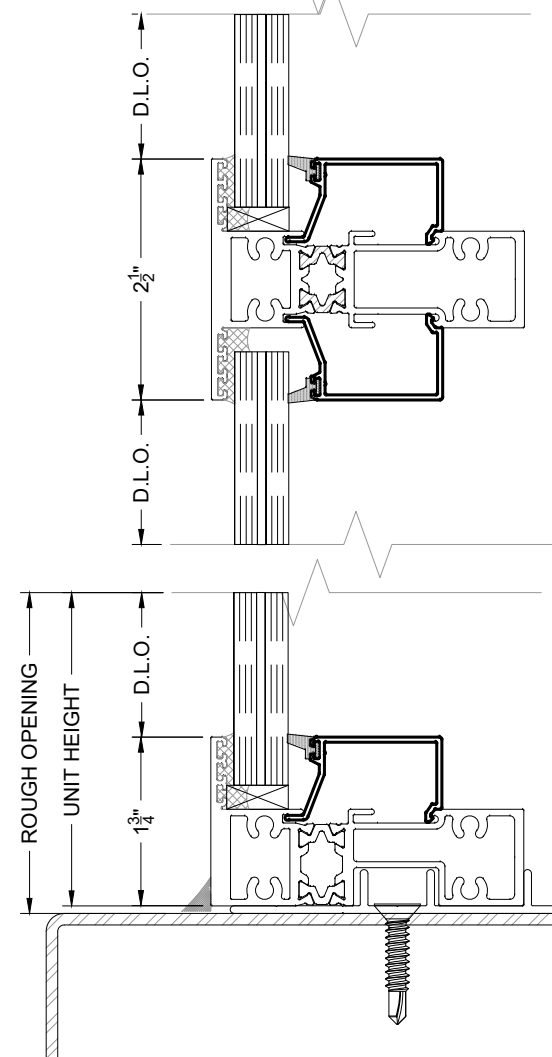
LAMINATED GLASS



325TB SERIES WINDOW/LOUVER (IMPACT) ALUMINUM OR STEEL FRAMING INSTALLATION



LAMINATED GLASS



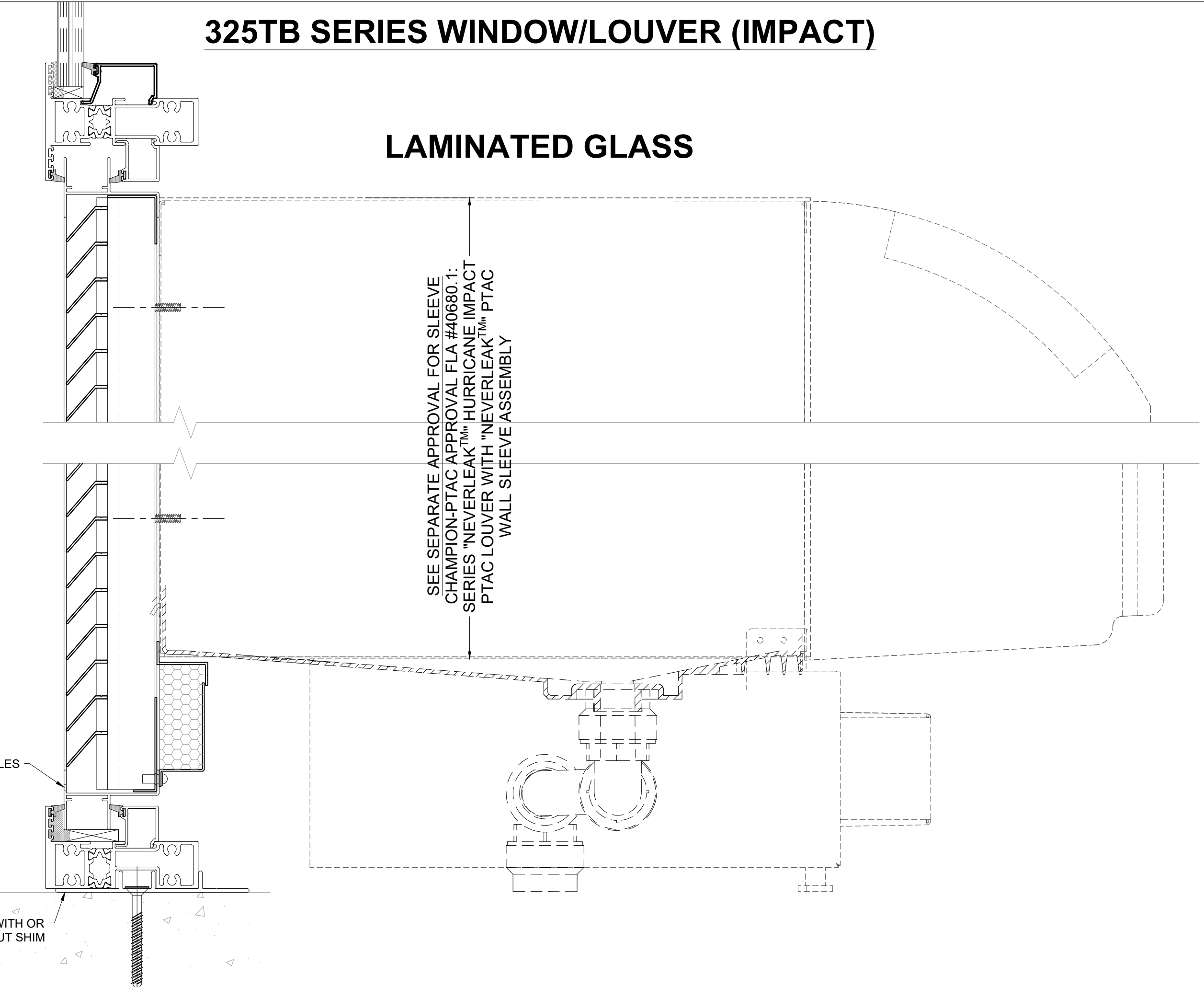
325TB SERIES WINDOW/LOUVER (IMPACT)

LAMINATED GLASS

WEEP HOLES

STATIC JOINT WITH OR WITHOUT SHIM

SEE SEPARATE APPROVAL FOR SLEEVE
CHAMPION-PTAC APPROVAL FLA #40680.1:
SERIES "NEVERLEAK™" HURRICANE IMPACT
PTAC LOUVER WITH "NEVERLEAK™" PTAC
WALL SLEEVE ASSEMBLY



325TB SERIES WINDOW/LOUVER (IMPACT)

OPTIONAL CONDENSATE SILL CHANNEL TO ALLOW FOR EASIER CONDENSATE PLUMBING AND ELECTRICAL INSTALLATION

