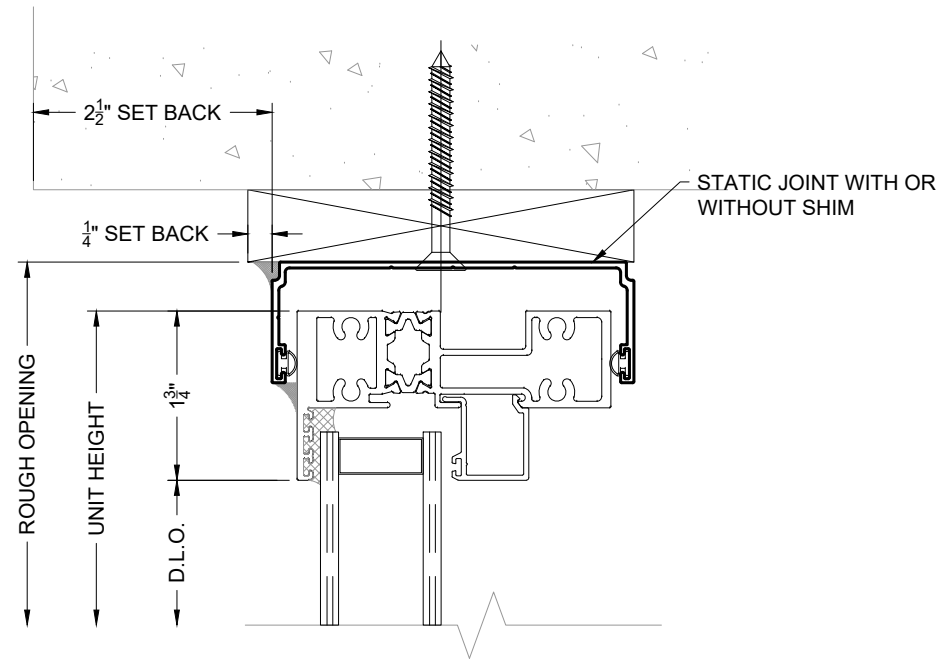
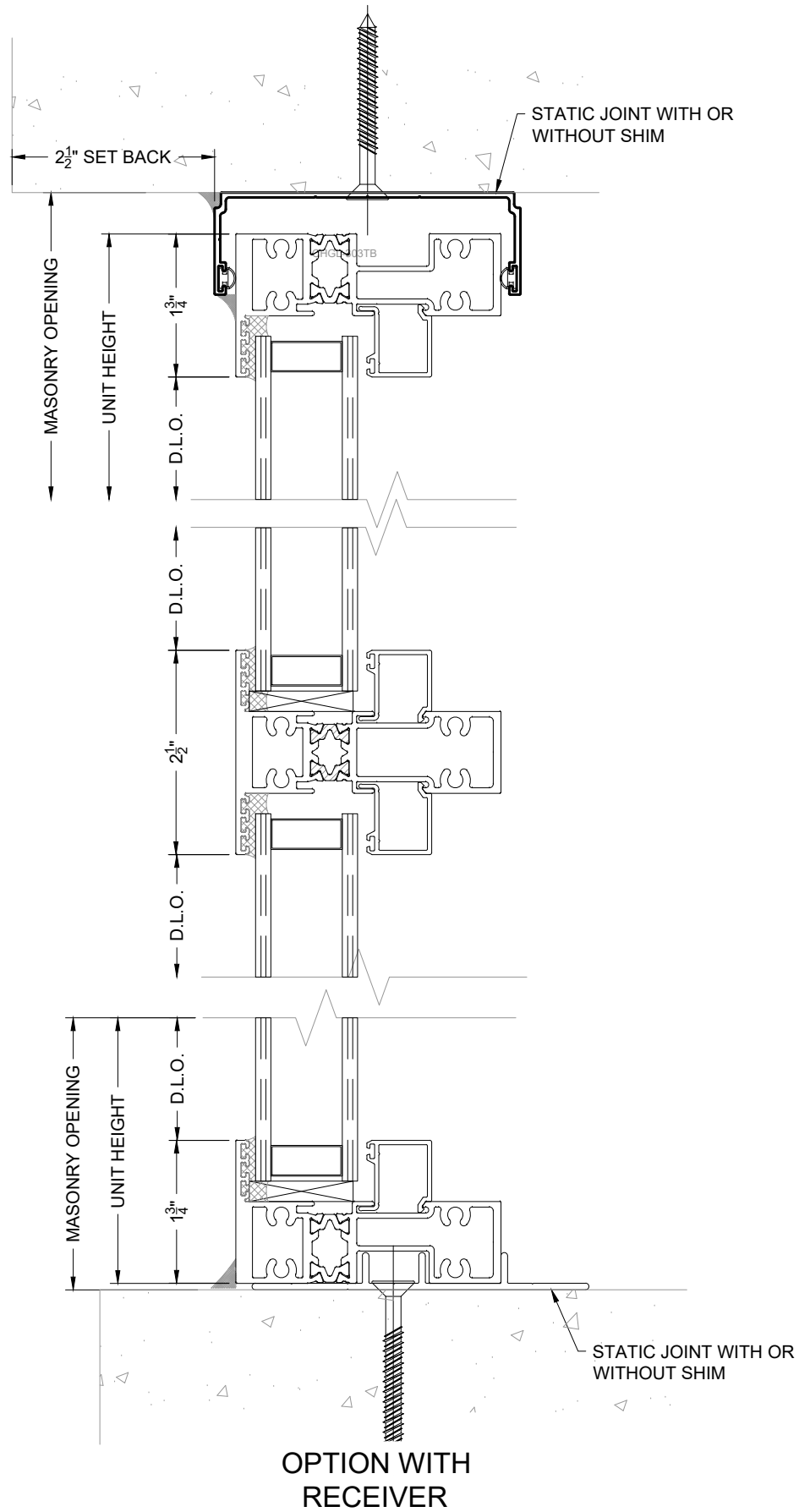
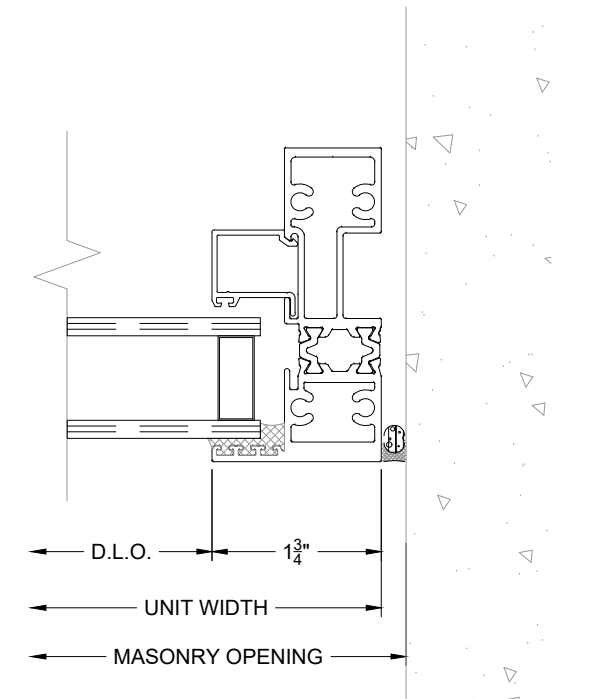
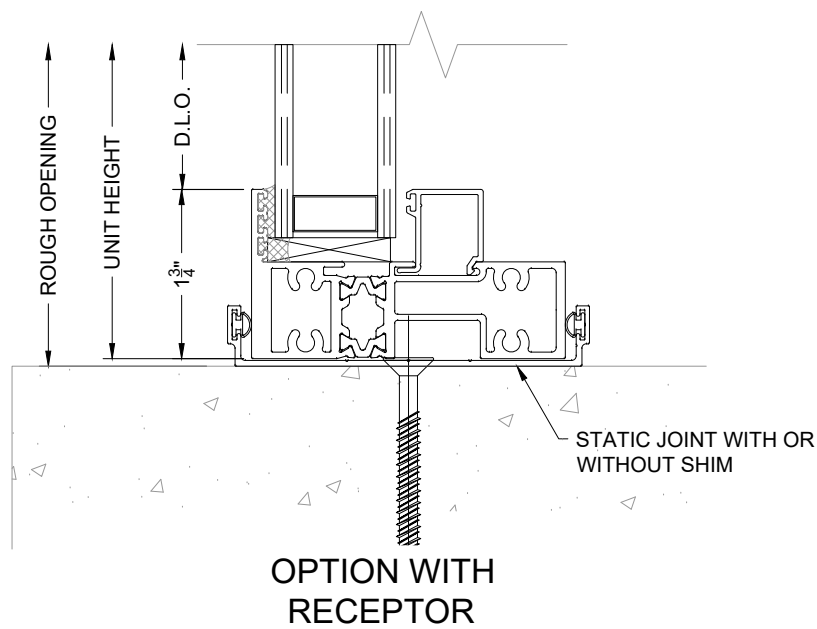
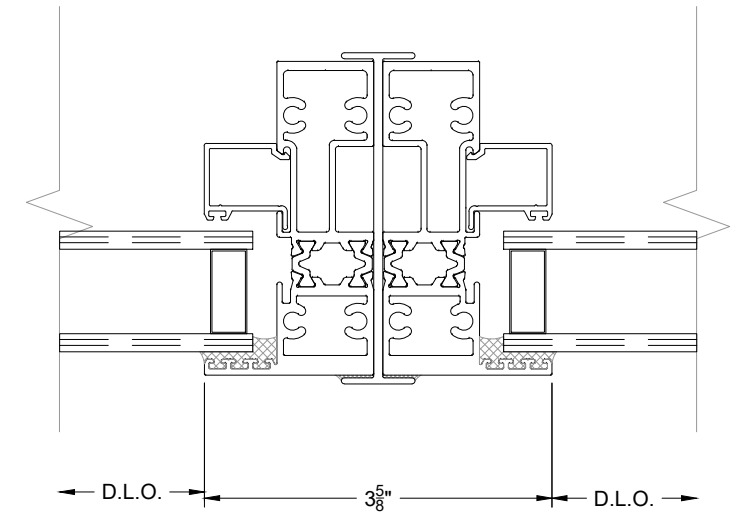


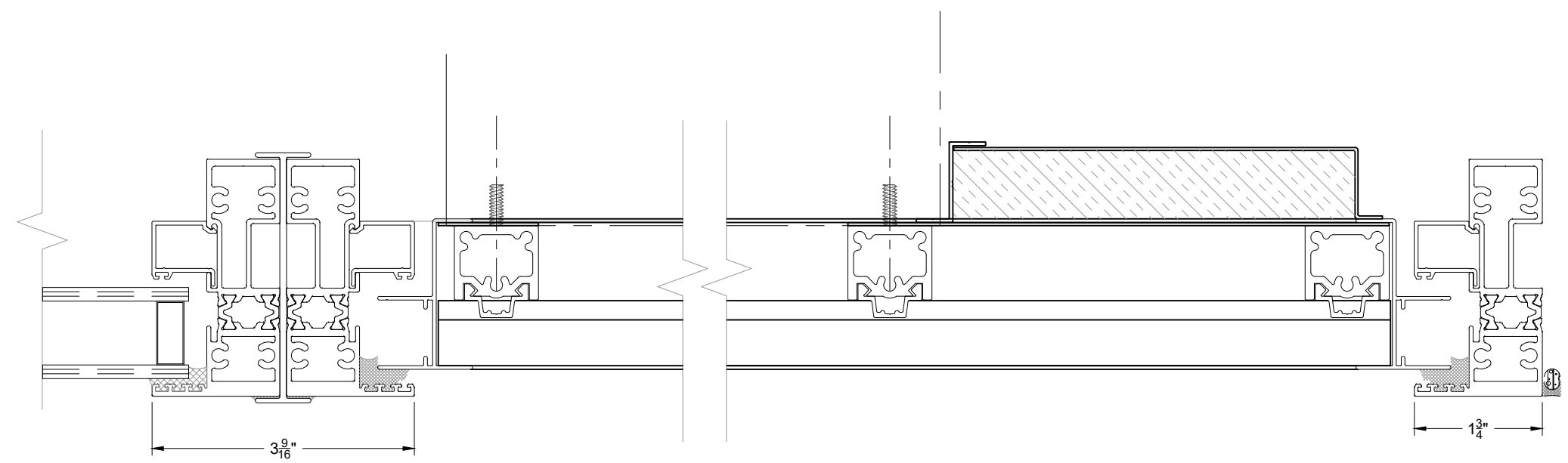
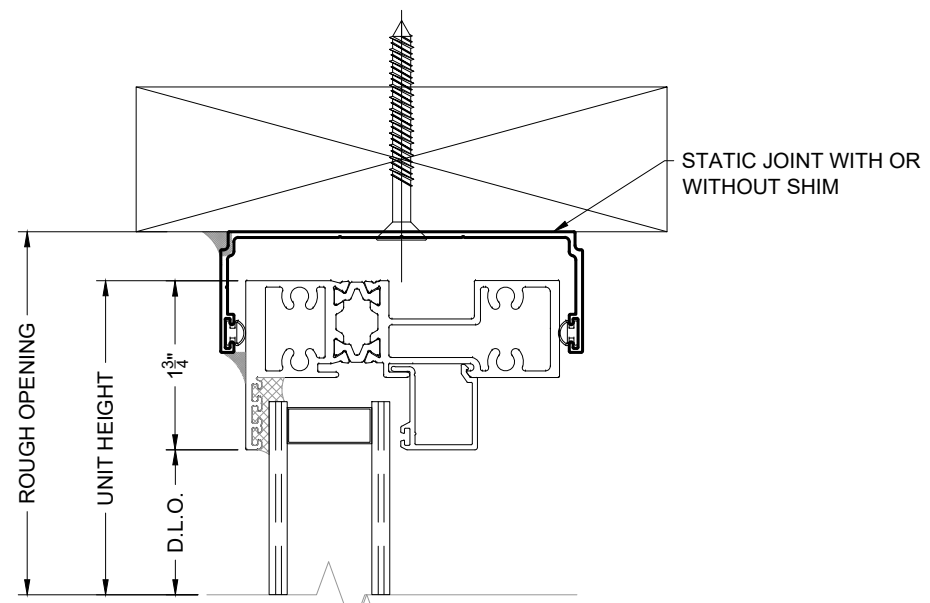
325TB SERIES STOREFRONT (NON-IMPACT) CONCRETE/MASON OR 1BY WOOD BUCK INSTALLATION



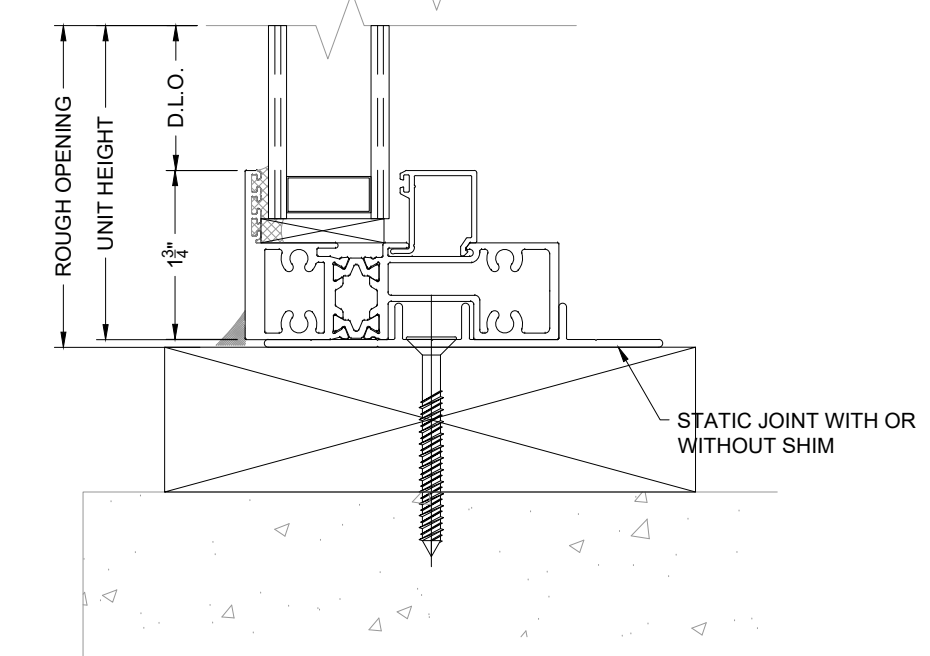
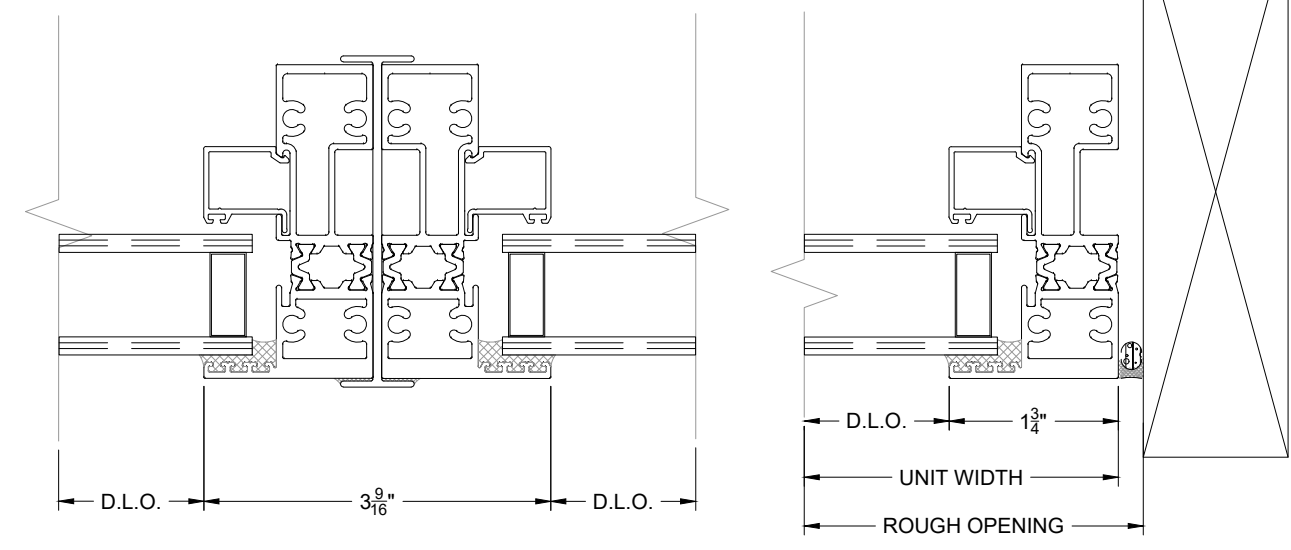
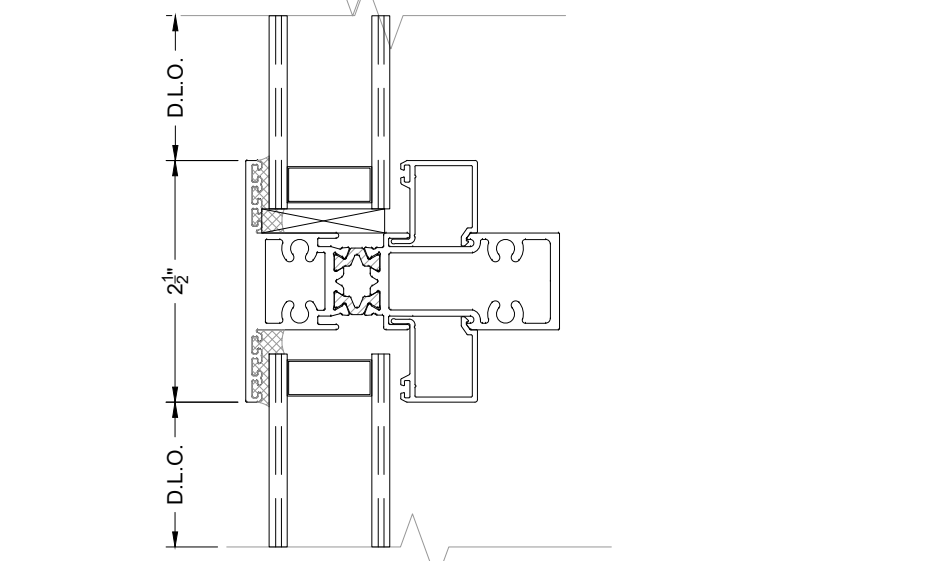
INSULATED GLASS



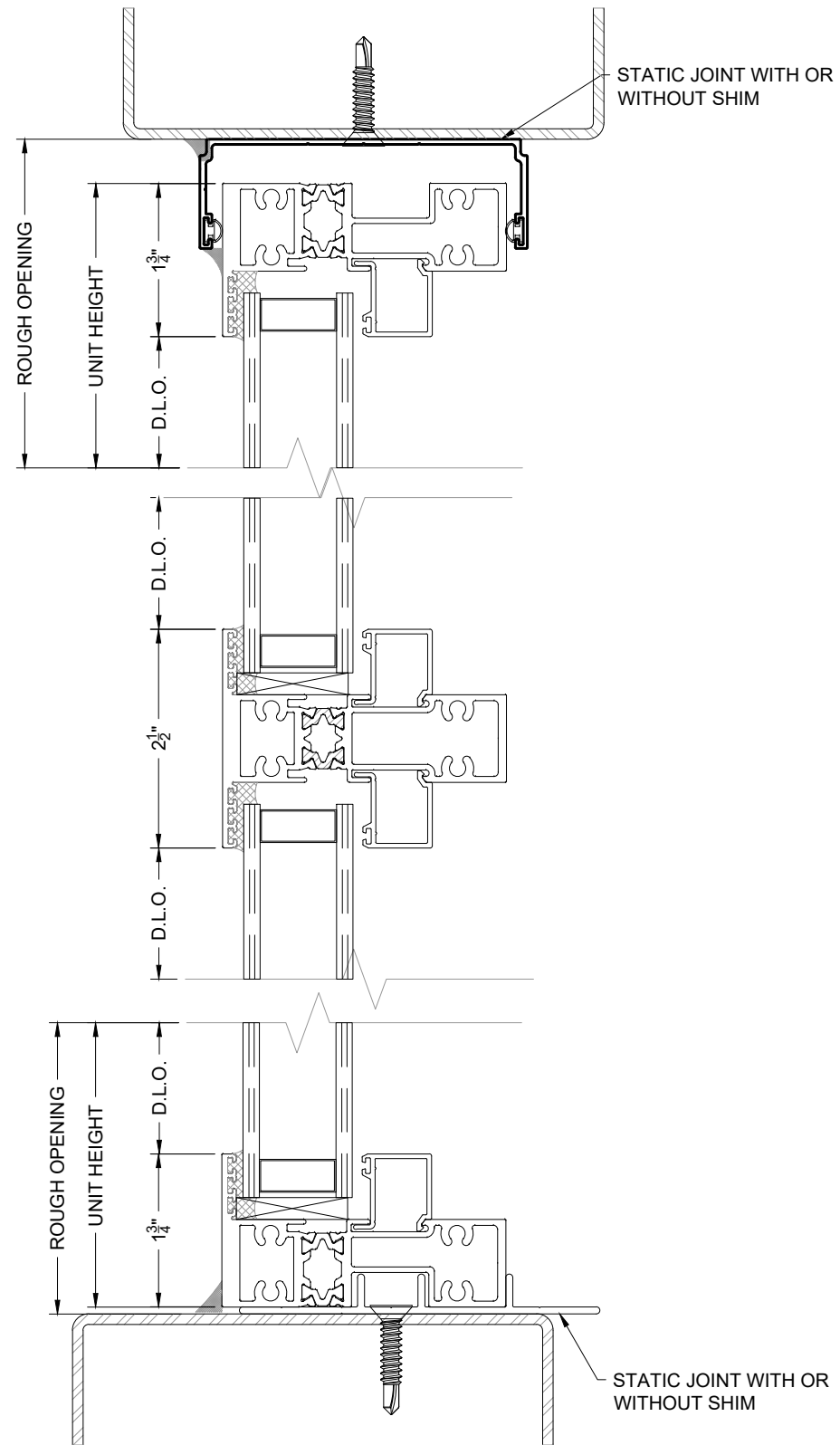
325TB SERIES STOREFRONT (NON-IMPACT) WOOD STRUCTURE/2BY WOOD BUCK INSTALLATION



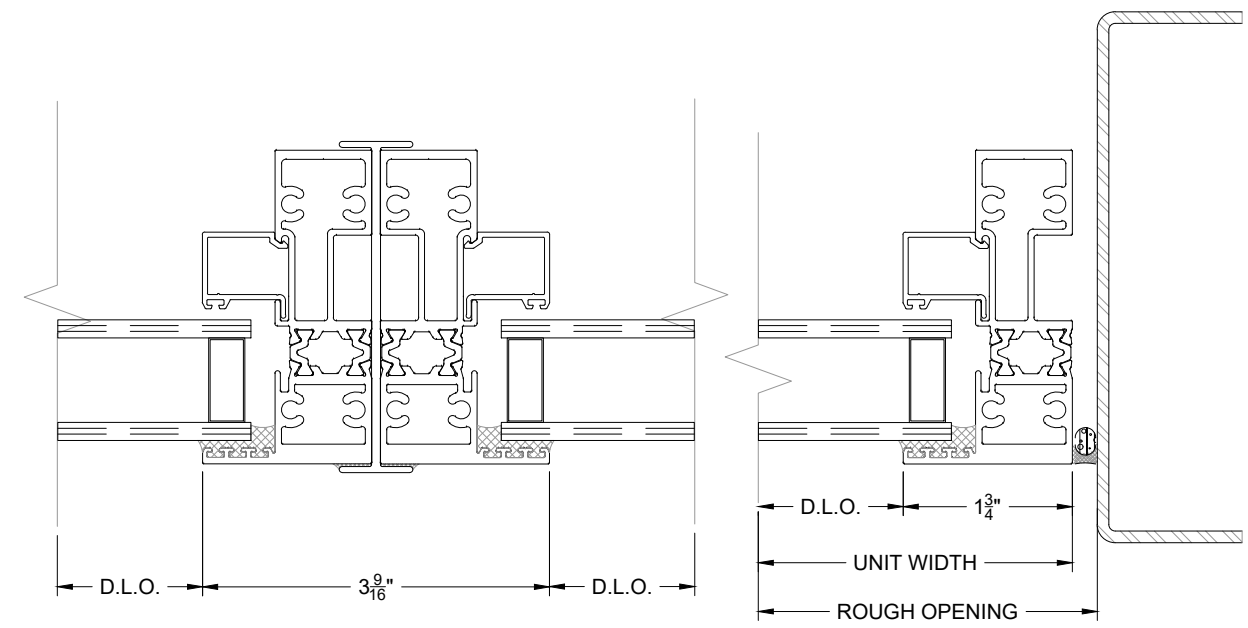
INSULATED GLASS



325TB SERIES STOREFRONT (NON-IMPACT) ALUMINUM OR STEEL FRAMING INSTALLATION



INSULATED GLASS



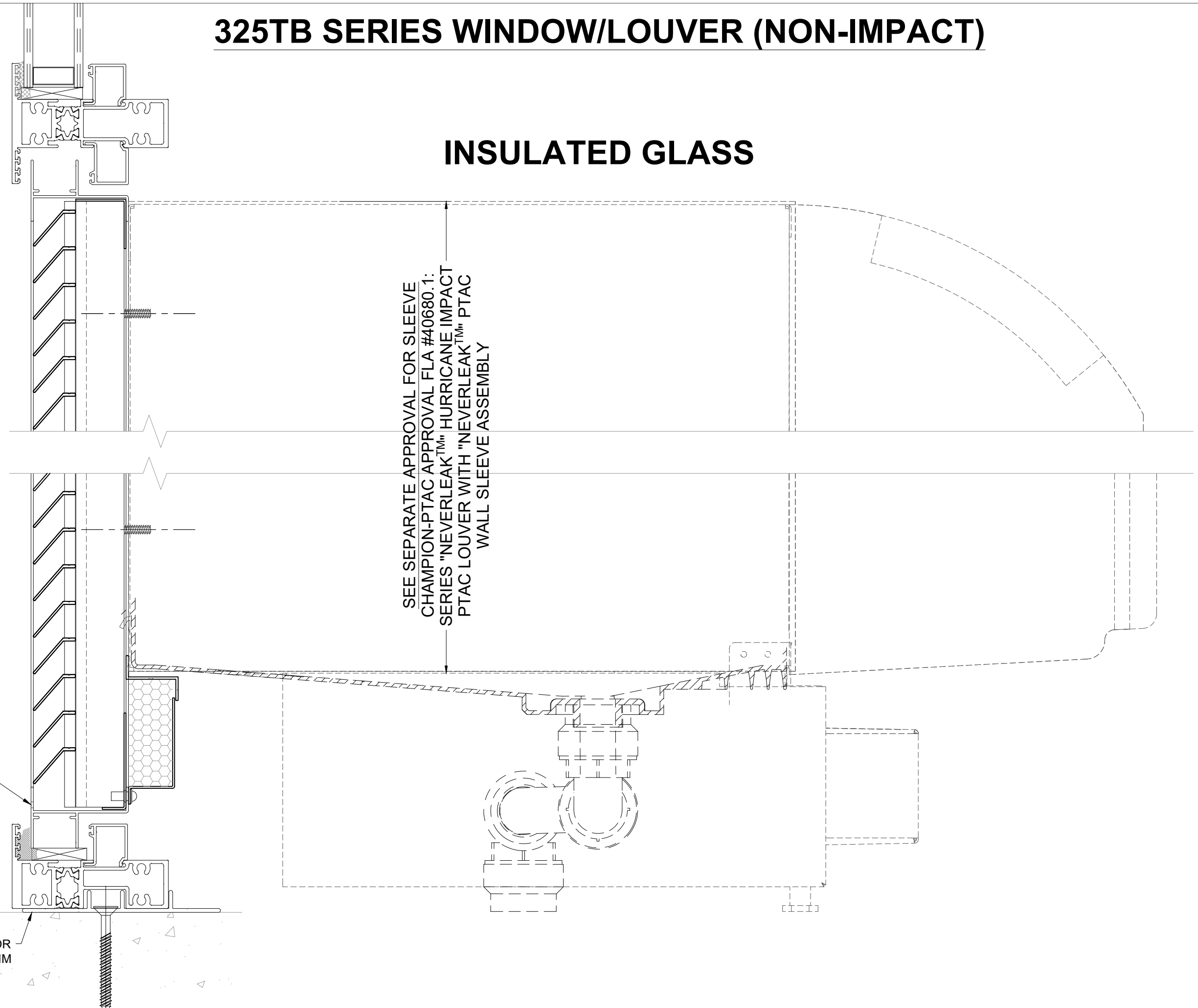
325TB SERIES WINDOW/LOUVER (NON-IMPACT)

INSULATED GLASS

SEE SEPARATE APPROVAL FOR SLEEVE
CHAMPION-PTAC APPROVAL FLA #40680.1:
SERIES "NEVERLEAK™" HURRICANE IMPACT
PTAC LOUVER WITH "NEVERLEAK™" PTAC
WALL SLEEVE ASSEMBLY

WEEP HOLES

STATIC JOINT WITH OR
WITHOUT SHIM



325TB SERIES WINDOW/LOUVER (NON-IMPACT) OPTIONAL CONDENSATE SILL CHANNEL TO ALLOW FOR EASIER CONDENSATE PLUMBING AND ELECTRICAL INSTALLATION

