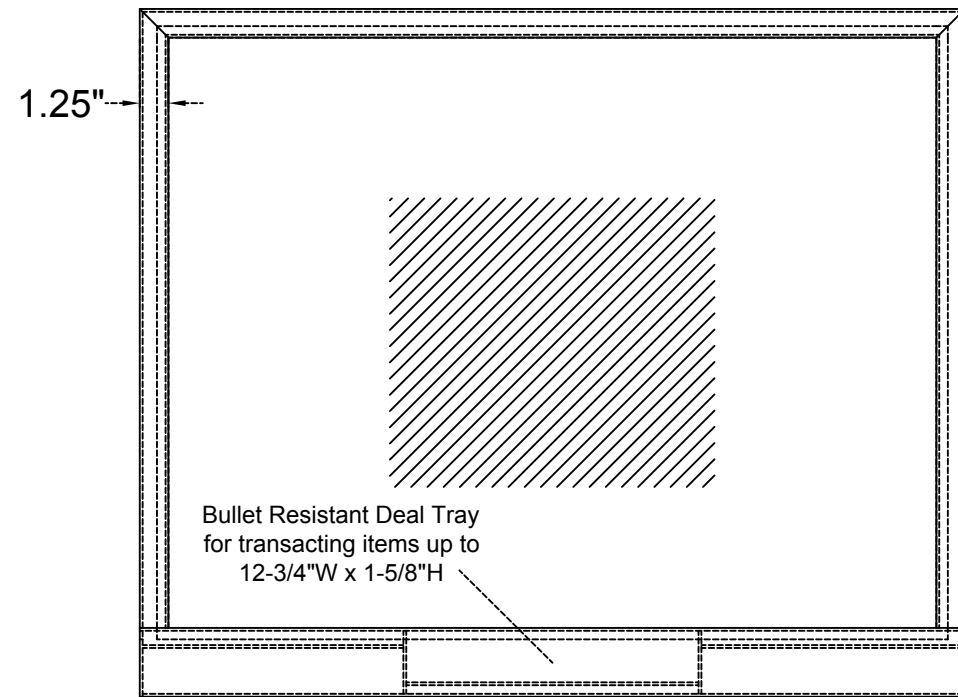
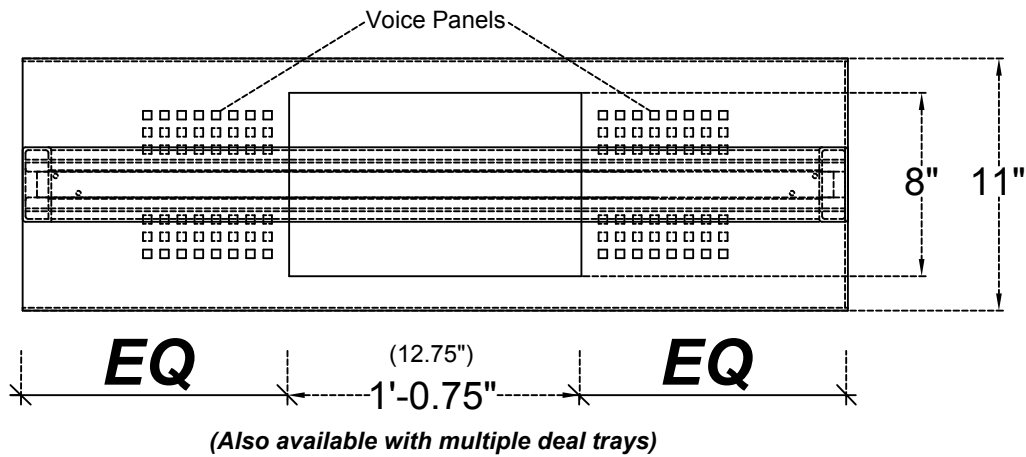


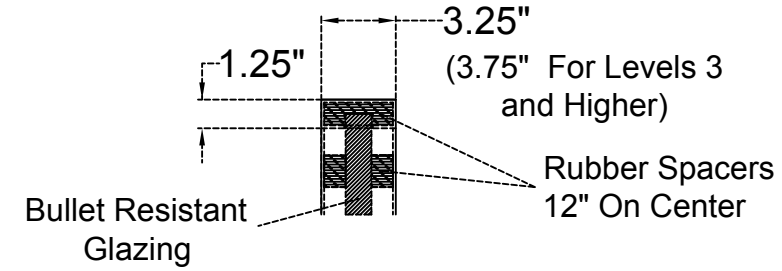
CUSTOM SIZES AVAILABLE

CONTACT CBP FOR GLAZING TYPES AND SIZE RESTRICTIONS

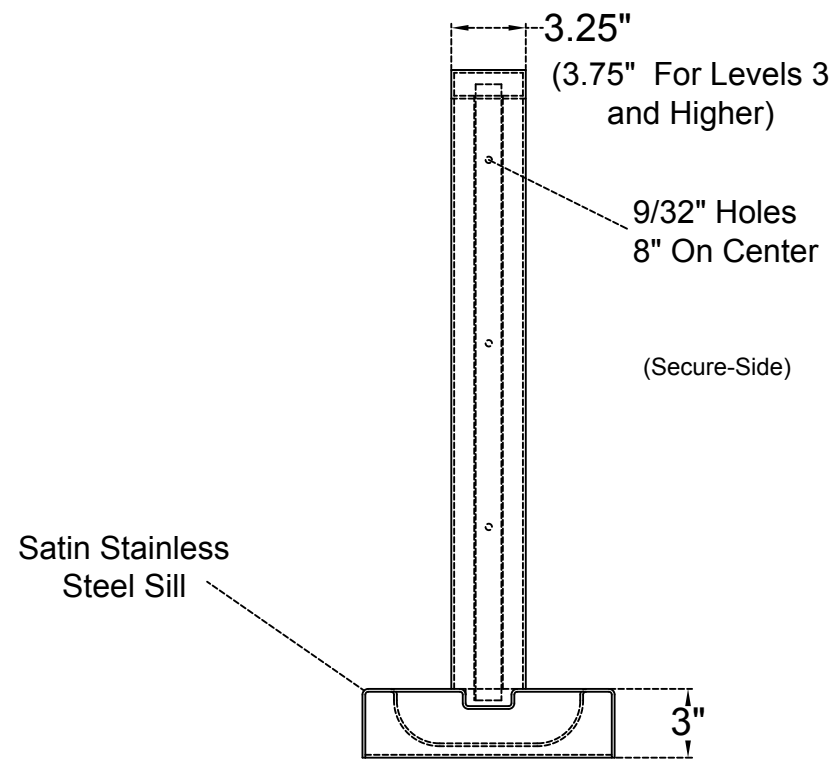
(Mullions may be required for window sizes over 61-1/2" x 85-1/2")



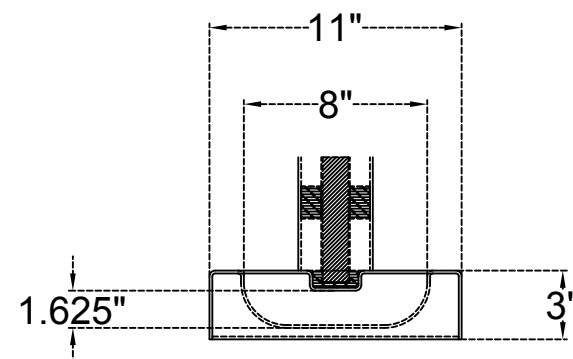
ELEVATION



HEAD/JAMB SECTION



END VIEW



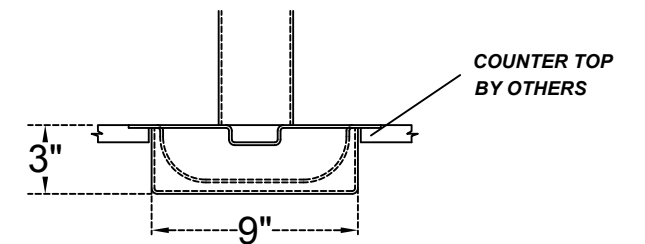
SILL SECTION

CBP Model NTW

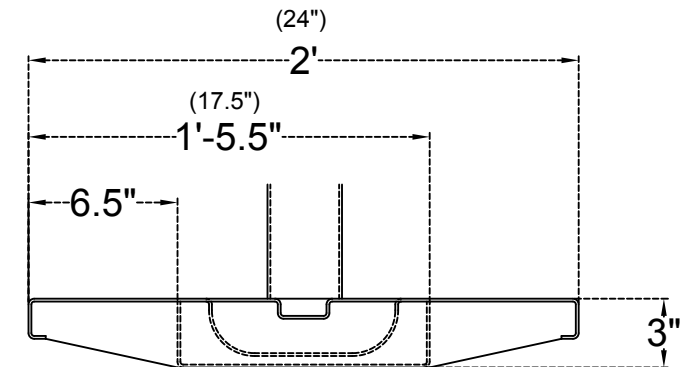
Bullet Resistant Narrow Profile Transaction Window

UL 752 Listed and Labeled Levels 1-4, & 6
(A label bearing certification is affixed to the protected side of the frame)

Note: CBP Model NTW features a voice panel sill and rubber spacers to create an acoustically balanced natural voice transmission system. Sealants or glazing compounds are not to be used to close gaps between the bullet resistant glazing product and the framing assembly, this will inhibit the natural voice transmission capability.



OPTIONAL MORTISE SILL SECTION



OPTIONAL 6-1/2" STAINLESS STEEL WRITING LEDGE SECTION

-Extends the full width of the sill

-Available on either or both sides of window

FILE NO. BP1942 SECURITY		CHICAGO BULLET PROOF SYSTEMS, INC 2595 BOND ST. UNIVERSITY PARK, IL. 60484 708-534-9102 WWW.CHICAGOBULLETPROOF.COM			
UL LISTED		BULLET PROOF			
NTW WINDOW					
MATERIAL: SHOT-TEX	FINISH: PRIME PAINTED, POWDER COATED, OR STAINLESS STEEL				
DWG. NO.: NTW	REVISION: 0	UL LEVEL: 1-4, & 6	GLAZING: TBD	TOLERANCES: +/-1/16"	SCALE: 1-1
SHEET: 1 OF 1	WEIGHT: TBD				