

# CUSTOM SIZES AVAILABLE

CONTACT CBP FOR GLAZING TYPES AND SIZE RESTRICTIONS

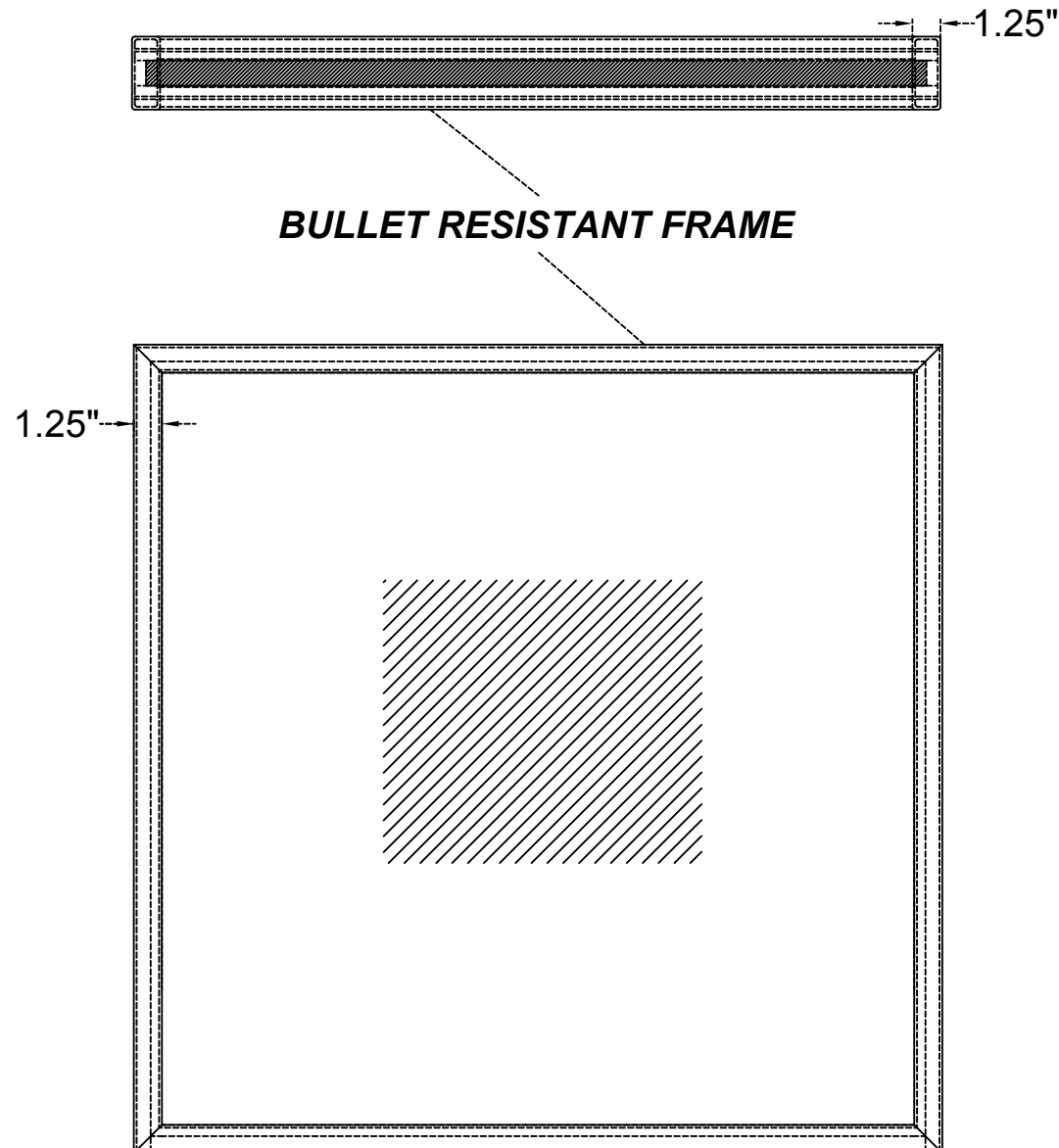
(Mullions may be required for window sizes over 61-1/2" x 85-1/2")

## CBP Model NVL

Bullet Resistant Narrow Profile Vision Window

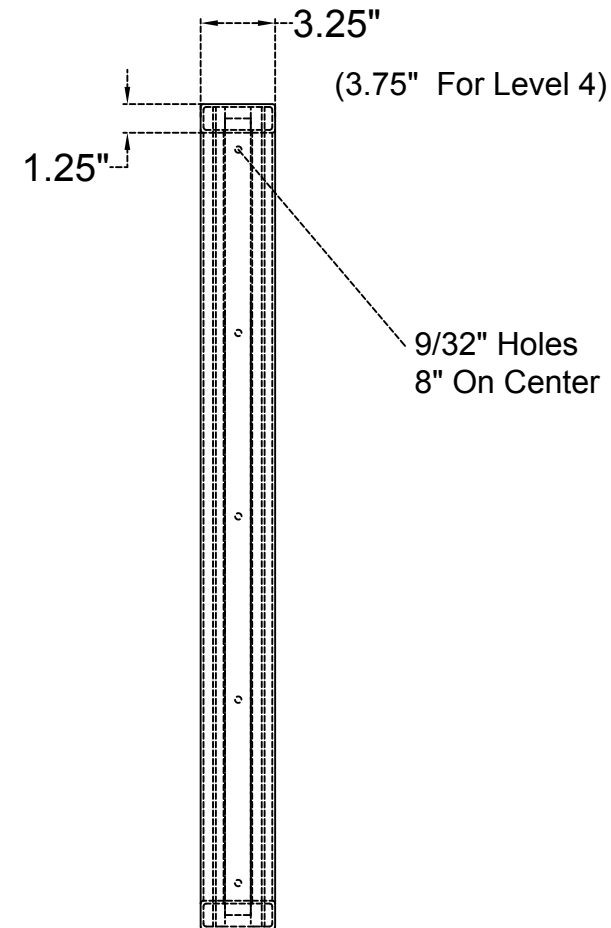
UL 752 Listed and Labeled Levels 1-4, & 6

(A label bearing certification is affixed to the protected side of the frame)

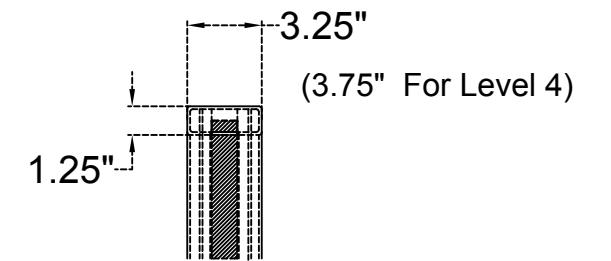


**BULLET RESISTANT FRAME**



**ELEVATION**



**END VIEW**



**HEAD/JAMB/SILL SECTION**

<small>FILE NO. BP1942</small> <b>SECURITY</b>  <small>LISTED</small>		 CHICAGO BULLET PROOF SYSTEMS, INC 2595 BOND ST. UNIVERSITY PARK, IL. 60484 708-534-9102 WWW.CHICAGOBULLETPROOF.COM	
<b>NVL WINDOW</b>			
<b>MATERIAL:</b> SHOT-TEX		<b>FINISH:</b> PRIME PAINTED, POWDER COATED, OR STAINLESS STEEL	
<b>DWG. NO.:</b> NVL	<b>REVISION:</b> 0	<b>UL LEVEL:</b> 1-4, & 6	<b>GLAZING:</b> TBD
<b>TOLERANCES:</b> +/-1/16"	<b>SCALE:</b> 1-1		
<b>SHEET:</b> 1 OF 1	<b>WEIGHT:</b> TBD		