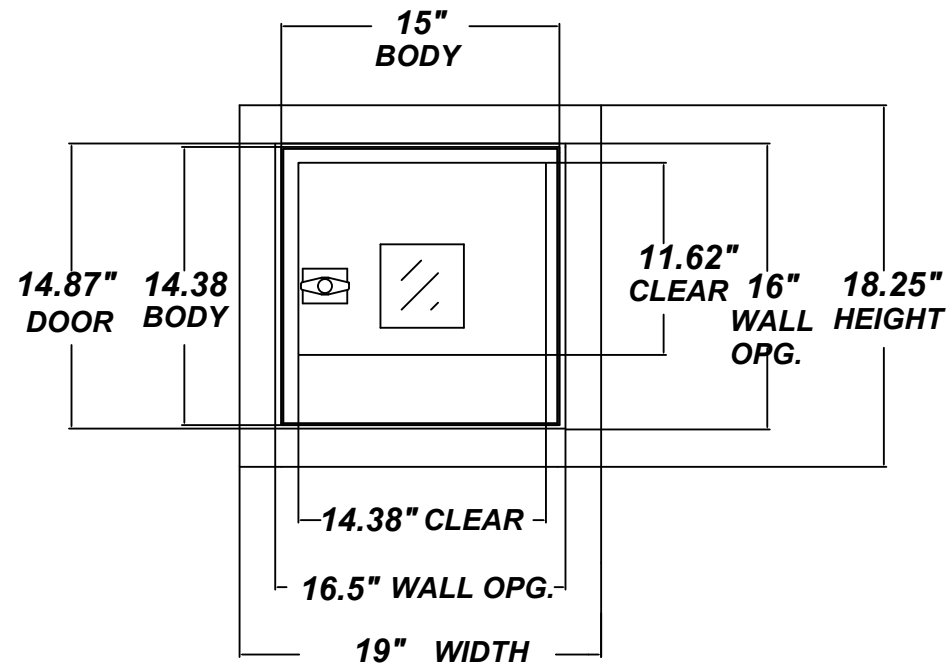


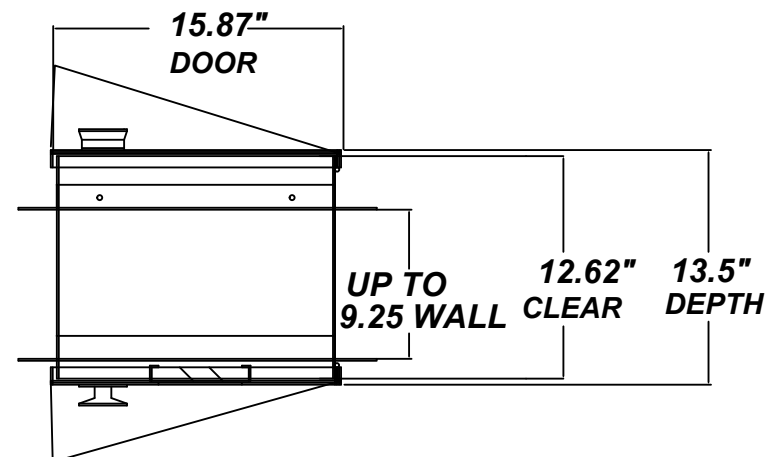
CUSTOM SIZES AVAILABLE

(MAXIMUM O.A. SIZE IS 24" X 24" X 24", WIDTH CANNOT EXCEED HEIGHT)

(STANDARD SIZE SHOWN)



SECURE SIDE ELEVATION



SECTIONAL PLAN

CBP Model PP

Bullet Resistant Package Passer w/ Vision Panel

GLAZING AND CERTIFICATION:

- AVAILABLE WITH UL 752 LISTED LEVEL 1-4, AND 8 GLAZING MATERIALS
- GLAZING MATERIAL MUST BE ATLEAST 12" SQUARE FOR GLAZING MATERIAL AND ASSEMBLY TO BEAR UL CERTIFICATION

DOORS:

- INTERLOCKS TO ONLY PERMIT ONE DOOR TO OPEN AT A TIME.
- HANDING: FROM THREAT SIDE, EXTERIOR DOOR IS LHRB AND INTERIOR DOOR IS LH.

STANDARD HARDWARE PACKAGE:

- CBP HEAVY DUTY HINGES.
- STAINLESS STEEL PULL HANDLE ON EXTERIOR DOOR.
- INTERIOR DOOR CONTROL HANDLE WITH THREE POSITION CONTROL HANDLE WHICH PERMITS:
 - EXTERIOR UNLOCKED, INTERIOR LOCKED
 - BOTH DOORS LOCKED
 - EXTERIOR LOCKED, INTERIOR UNLOCKED
- RETURN SPRING ON EXTERIOR DOOR TO FACILITATE CLOSING.

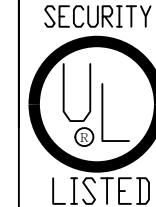
ADDITIONAL HARDWARE OPTIONS:

- CONTROL HANDLE WITH KEY.
- WEATHERSTRIPPING FOR EXTERIOR DOOR.

FINISHES:

- MODEL PP-P: ALL PRIME PAINTED
- MODEL PP-S: PRIME PAINTED WITH SATIN STAINLESS STEEL EXTERIOR DOOR AND MOUNTING FRAME
- MODEL PP-A: ALL EXPOSED SURFACES ARE STAINLESS STEEL

FILE NO. BP1942



CHICAGO BULLET PROOF SYSTEMS, INC
 2595 BOND ST. UNIVERSITY PARK, IL. 60484
 708-534-9102
 WWW.CHICAGOBULLETPROOF.COM

PP PACKAGE PASSER

MATERIAL: SHOT-TEX	PP FINISH: PP-P, PP-S, OR PP-A	UL LEVEL: TBD	TOLERANCES: + - .125	SCALE: 1-1
SHEET: 1 OF 1	WEIGHT: TBD	GLAZING: TBD		