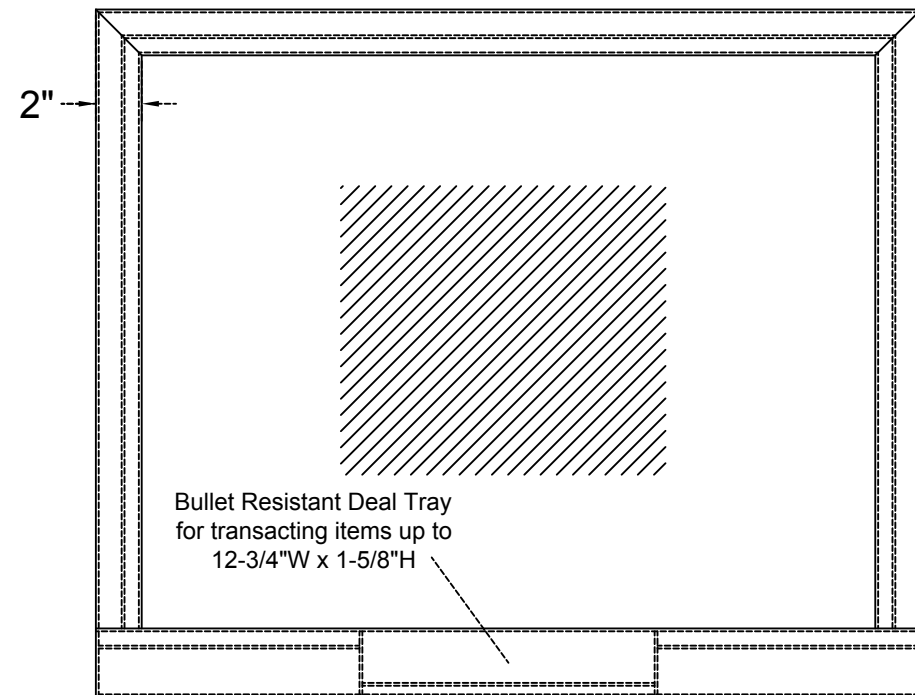
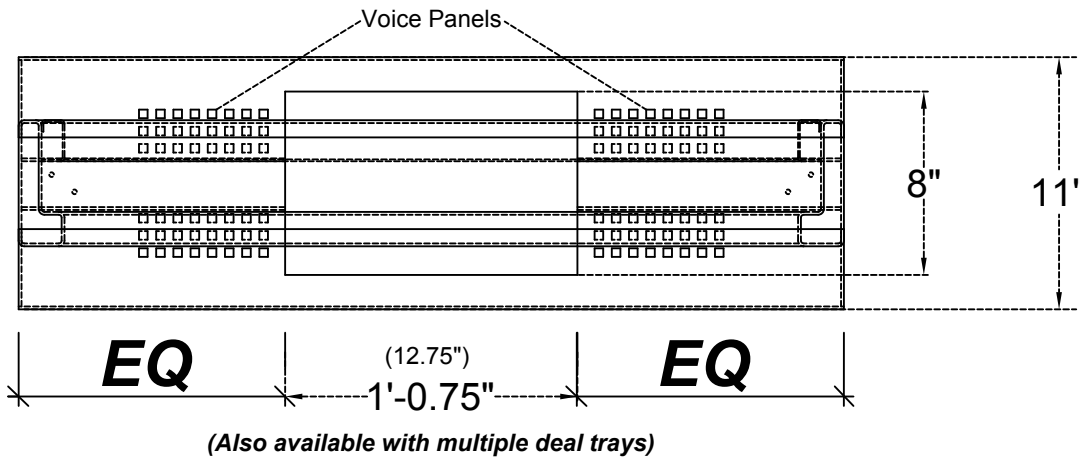


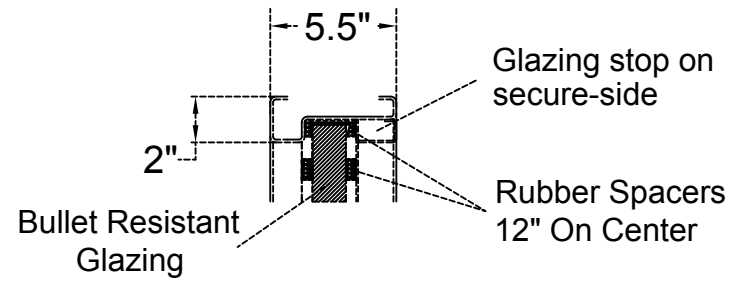
CUSTOM SIZES AVAILABLE

CONTACT CBP FOR GLAZING TYPES AND SIZE RESTRICTIONS

(Mullions may be required for window sizes over 63" x 87")

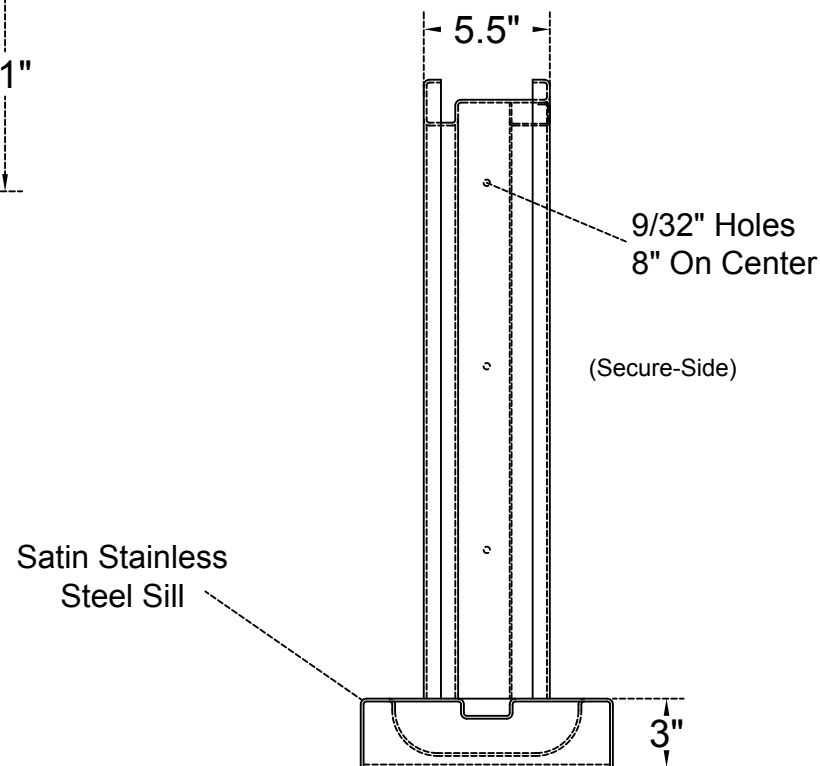


ELEVATION

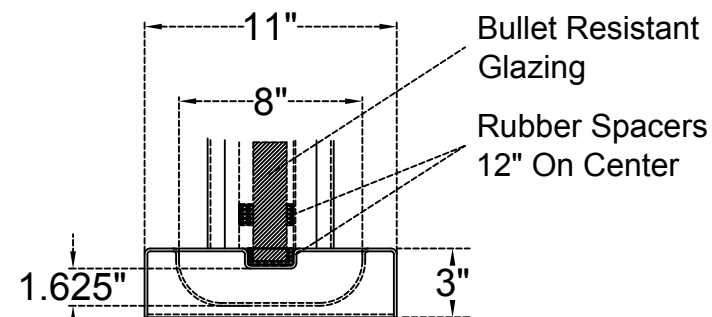


HEAD/JAMB SECTION

STANDARD FRAME PROFILE: 2" X 5.5"



END VIEW



SILL SECTION

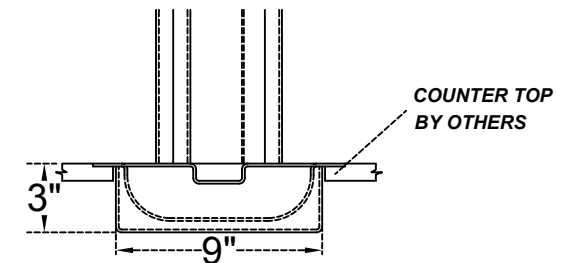
CBP Model STW

Bullet Resistant Standard Transaction Window

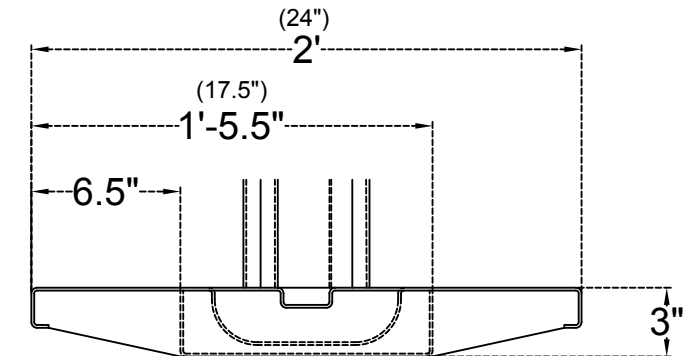
UL 752 Listed and Labeled Levels 1-6, & 8

(A label bearing certification is affixed to the protected side of the frame)

Note: CBP Model STW features a voice panel sill and rubber spacers to create an acoustically balanced natural voice transmission system. Sealants or glazing compounds are not to be used to close gaps between the bullet resistant glazing product and the framing assembly, this will inhibit the natural voice transmission capability.



OPTIONAL MORTISE SILL SECTION



OPTIONAL 6-1/2" STAINLESS STEEL WRITING LEDGE SECTION

-Extends the full width of the sill

-Available on either or both sides of window

FILE NO. BP1942 SECURITY		CHICAGO BULLET PROOF SYSTEMS, INC 2595 BOND ST. UNIVERSITY PARK, IL. 60484 708-534-9102 WWW.CHICAGOBULLETPROOF.COM	
UL LISTED		BULLET PROOF	
STW WINDOW			
MATERIAL: SHOT-TEX	FINISH: PRIME PAINTED, POWDER COATED, OR STAINLESS STEEL		
DWG. NO.: STW	REVISION: 0	UL LEVEL: 1-6, & 8	GLAZING: TBD
TOLERANCES: +/-1/16"		SCALE: 1-1	
SHEET: 1 OF 1	WEIGHT: TBD		