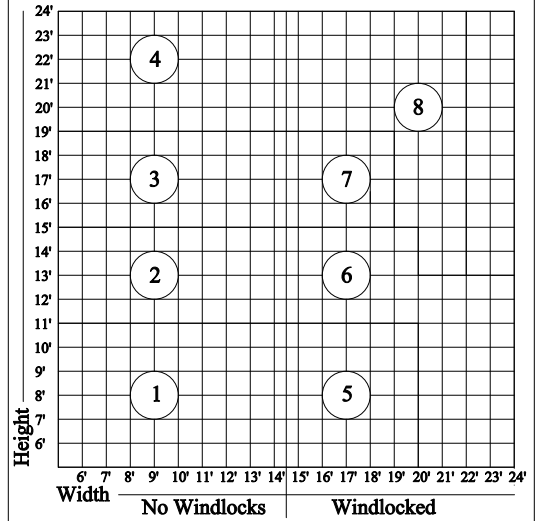
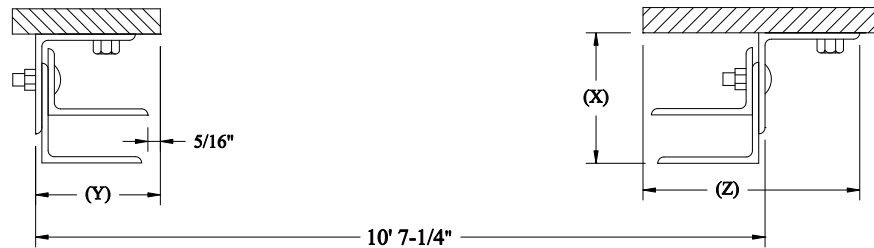
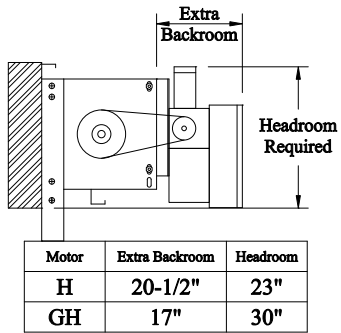
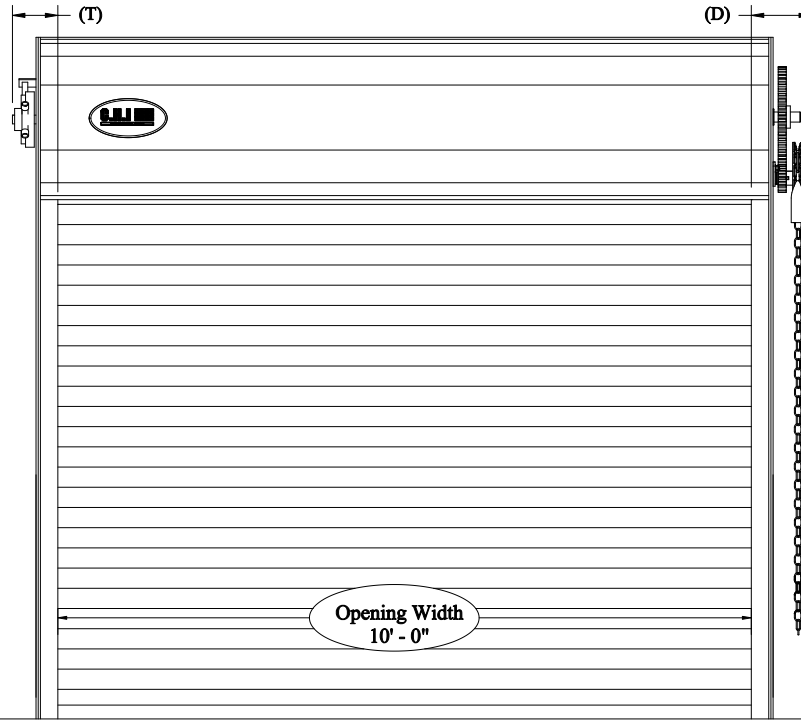
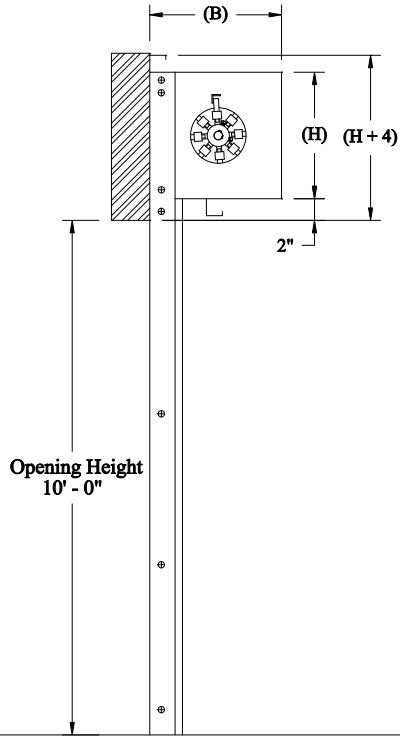


**Zone Chart for Dimensional References**

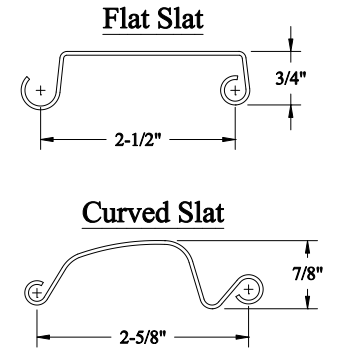


Zone	H	B	T	D	X	Y	Z
1	15"	16"	6"	8-1/2"	3-7/8"	4-3/8"	6-1/2"
2	17"	18"	6"	8-1/2"	5"	4-3/8"	6-1/2"
3	19"	20"	6"	8-1/2"	5"	4-3/8"	6-1/2"
4	21"	22"	6"	8-1/2"	5"	4-3/8"	6-1/2"
5	17"	18"	6-1/2"	9-1/2"	6"	4-3/4"	7-1/2"
6	19"	20"	6-1/2"	9-1/2"	6"	4-3/4"	7-1/2"
7	21"	22"	6-1/2"	9-1/2"	6"	4-3/4"	7-1/2"
8	23"	24"	6-1/2"	9-1/2"	6"	4-3/4"	7-1/2"

Consult factory if headroom is critical or for sizes not listed.



"X" DIMENSION  
"X" Dimension = Opening Width + 7-1/4" (Non-Windlocked)



22, 20 & 18 Gauge Steel Slats

05/2006 Copyright 2001 C.H.I. Overhead Doors

Door Qty.	Door Width	Door Height	Jamb Type	Model	Exterior Color

Miscellaneous Notes

**C.H.I.**  
ROLLING STEEL DOORS  
1485 Sunrise Drive, Arthur, IL 61911  
TOLL FREE: 800-677-2650 FAX: 217-543-5172

**C.H.I. Non-Windlocked Service Door**

ARCHITECT:	
CONTRACTOR:	
PROJECT NAME:	
DOOR COMPANY:	
PREPARED BY:	DOOR NUMBER:
QUOTE NUMBER:	DATE: