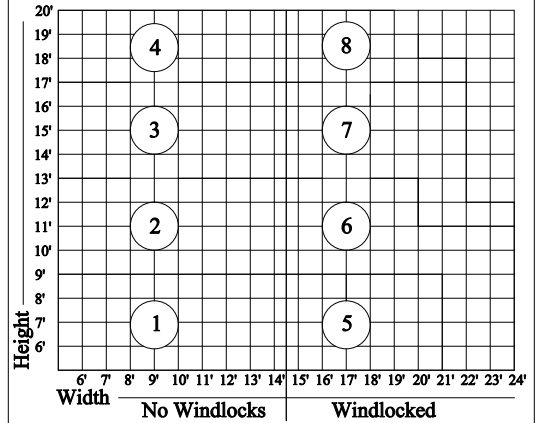
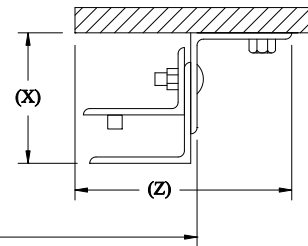
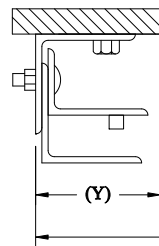
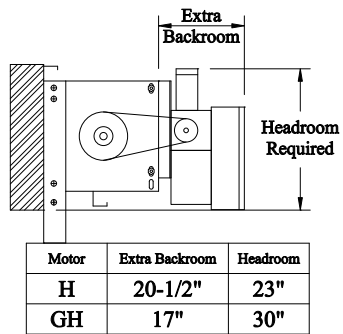
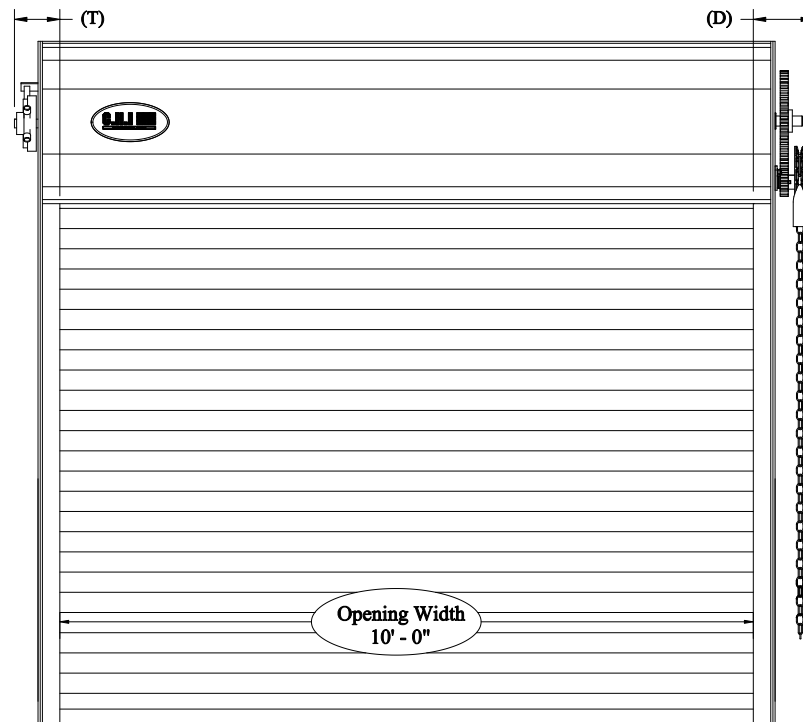
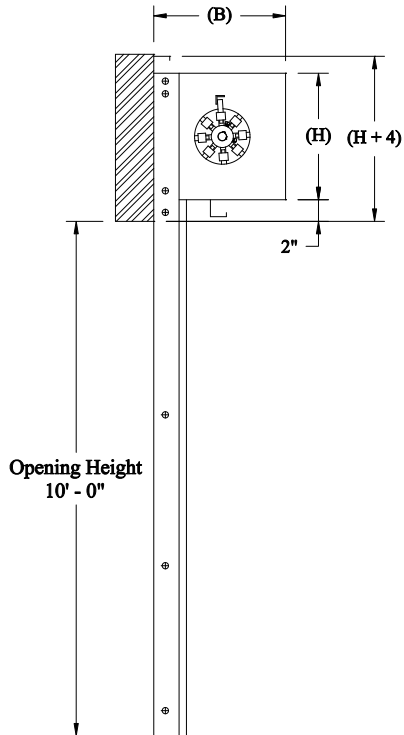


**Zone Chart for Dimensional References**

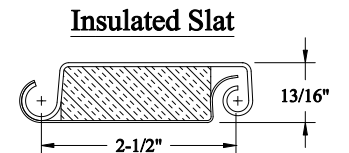


| Zone | H   | B   | T      | D      | X      | Y      | Z      |
|------|-----|-----|--------|--------|--------|--------|--------|
| 1    | 15" | 16" | 6"     | 8-1/2" | 3-7/8" | 4-3/8" | 6-1/2" |
| 2    | 17" | 18" | 6"     | 8-1/2" | 5"     | 4-3/8" | 6-1/2" |
| 3    | 19" | 20" | 6"     | 8-1/2" | 5"     | 4-3/8" | 6-1/2" |
| 4    | 21" | 22" | 6"     | 8-1/2" | 5"     | 4-3/8" | 6-1/2" |
| 5    | 17" | 18" | 6-1/2" | 9-1/2" | 6"     | 4-3/4" | 7-1/2" |
| 6    | 19" | 20" | 6-1/2" | 9-1/2" | 6"     | 4-3/4" | 7-1/2" |
| 7    | 21" | 22" | 6-1/2" | 9-1/2" | 6"     | 4-3/4" | 7-1/2" |
| 8    | 23" | 24" | 6-1/2" | 9-1/2" | 6"     | 4-3/4" | 7-1/2" |

Consult factory if headroom is critical or for sizes not listed.



10' 8-1/2"  
"X" DIMENSION  
"X" Dimension = Opening Width + 8-1/2" (Windlocked)



22, 20 or 18 Gauge Steel Face Slat  
24 Gauge Steel Backer  
Expanded Polystyrene Insulation

05/2006 Copyright 2001 C.H.I. Overhead Doors

| Door Qty. | Door Width | Door Height | Jamb Type | Model | Exterior Color |
|-----------|------------|-------------|-----------|-------|----------------|
|           |            |             |           |       |                |

Miscellaneous Notes

**C.H.I.**  
ROLLING STEEL DOORS  
1485 Sunrise Drive, Arthur, IL 61911  
TOLL FREE: 800-677-2650 FAX: 217-543-5172

**Windlocked Insulated Service Door**

|               |              |
|---------------|--------------|
| ARCHITECT:    |              |
| CONTRACTOR:   |              |
| PROJECT NAME: |              |
| DOOR COMPANY: |              |
| PREPARED BY:  | DOOR NUMBER: |
| QUOTE NUMBER: | DATE:        |