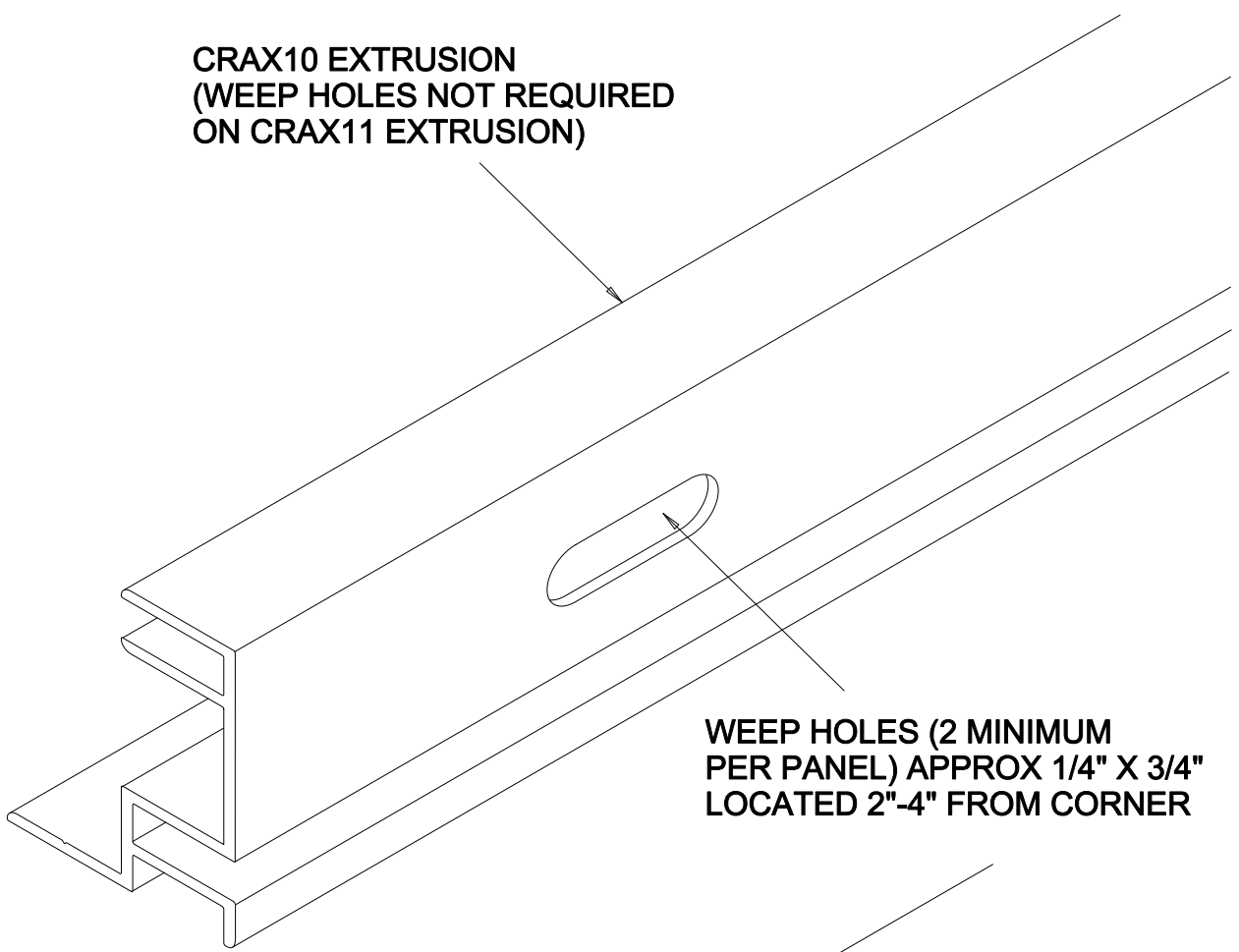


**CRAX10 EXTRUSION
(WEEP HOLES NOT REQUIRED
ON CRAX11 EXTRUSION)**



**WEEP HOLES (2 MINIMUM
PER PANEL) APPROX 1/4" X 3/4"
LOCATED 2"-4" FROM CORNER**

**WEEP BAFFLES HELD IN PLACE
BY DABS OF SEALANT
PLACED AT EACH END OF
EACH PIECE**

