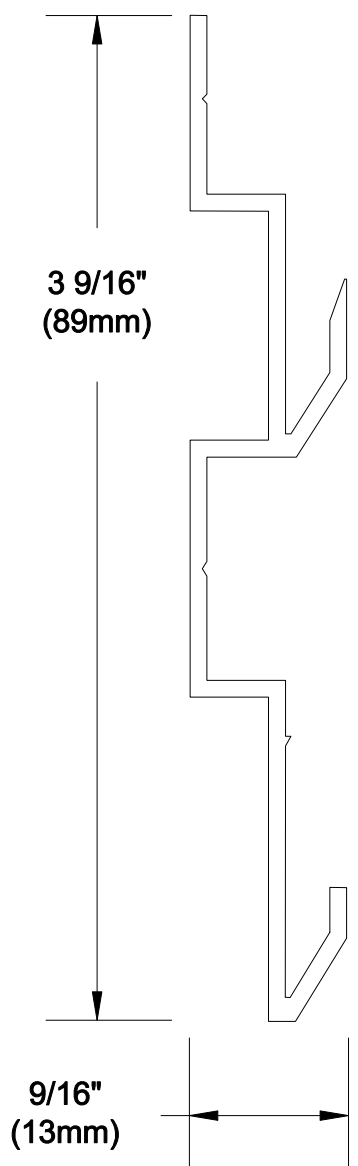
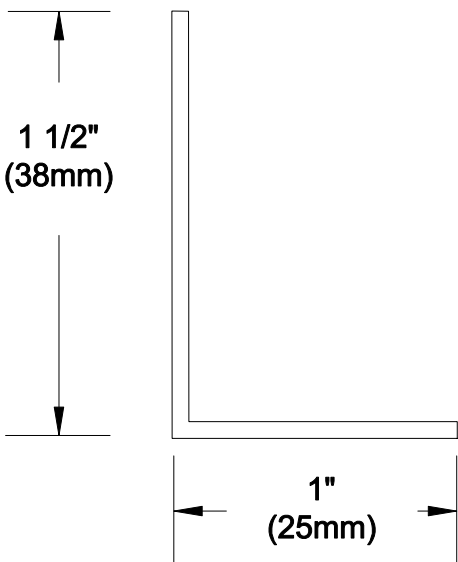


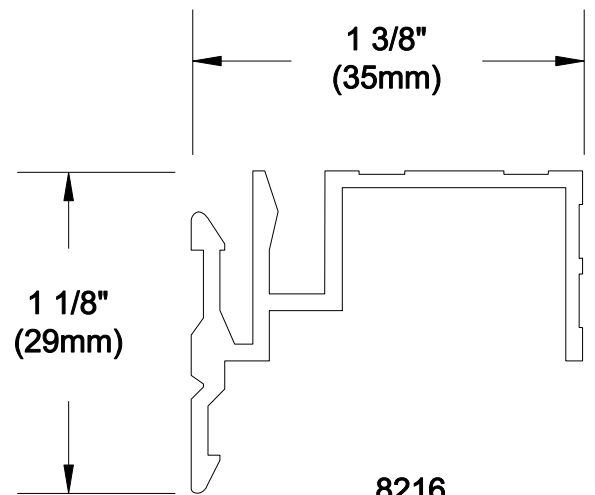
**8212  
EXTRUSION**



**8214  
EXTRUSION**



**RR-103  
PANEL CLIP**



**8216  
EXTRUSION**