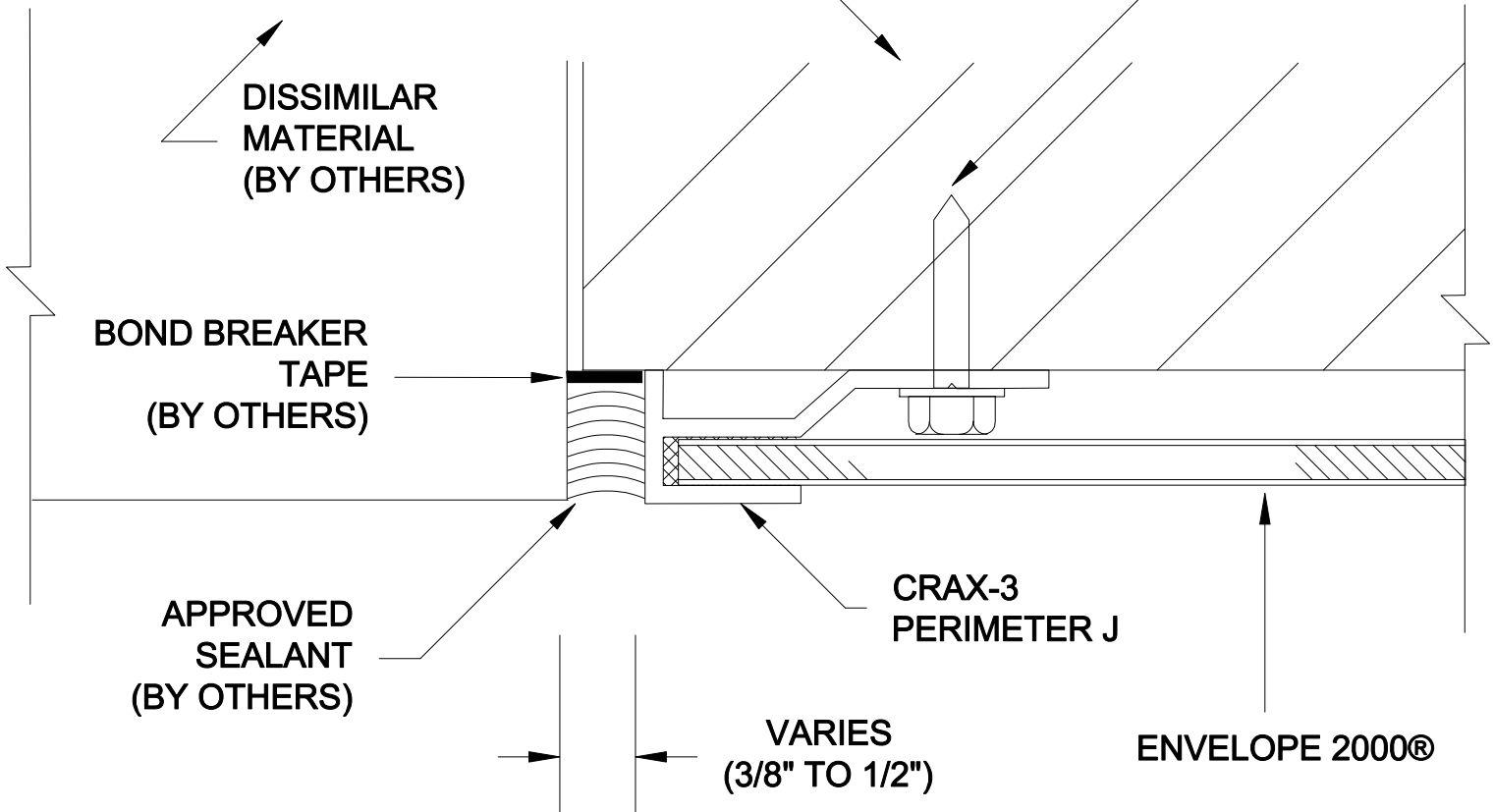


NAILABLE SUBSTRATE
(BY OTHERS)

NOTE:
FOR NON-NAILABLE SUBSTRATES,
FASTENERS MUST BE USED ONLY
AT STUD FRAMEWORK LOCATIONS.

FASTENER
(BY OTHERS)



6A

DISSIMILAR MATERIAL, OPTION 1