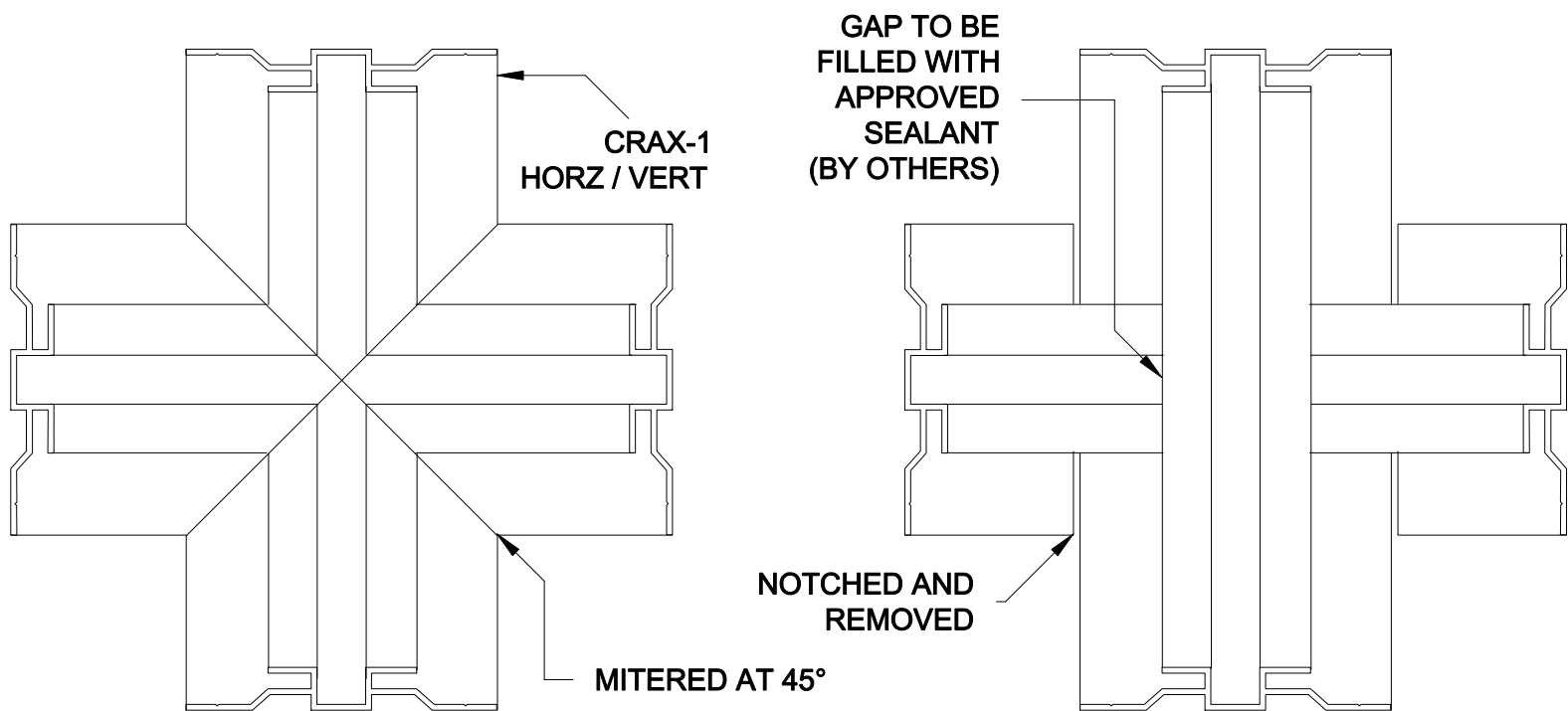


13A HORIZONTAL / VERTICAL, OPTION 1

13B HORIZONTAL / VERTICAL, OPTION 2



13C HORIZONTAL / VERTICAL, OPTION 3

13D HORIZONTAL / VERTICAL, OPTION 4