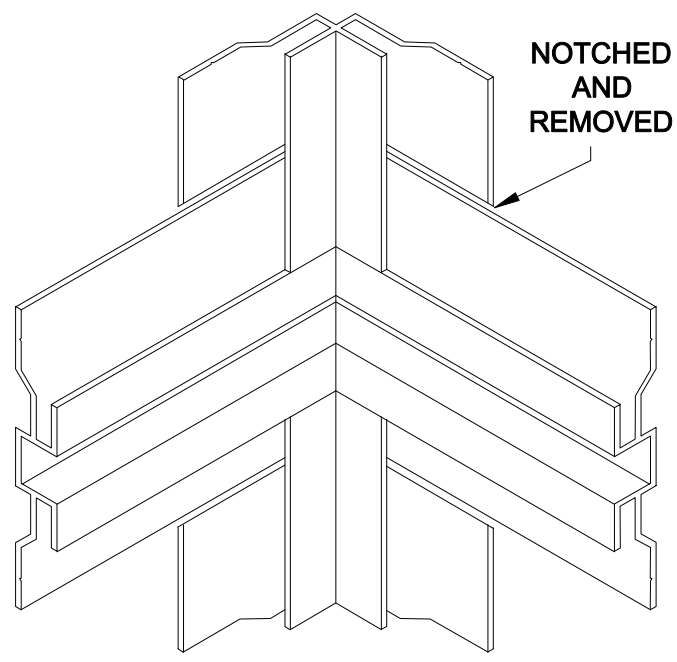
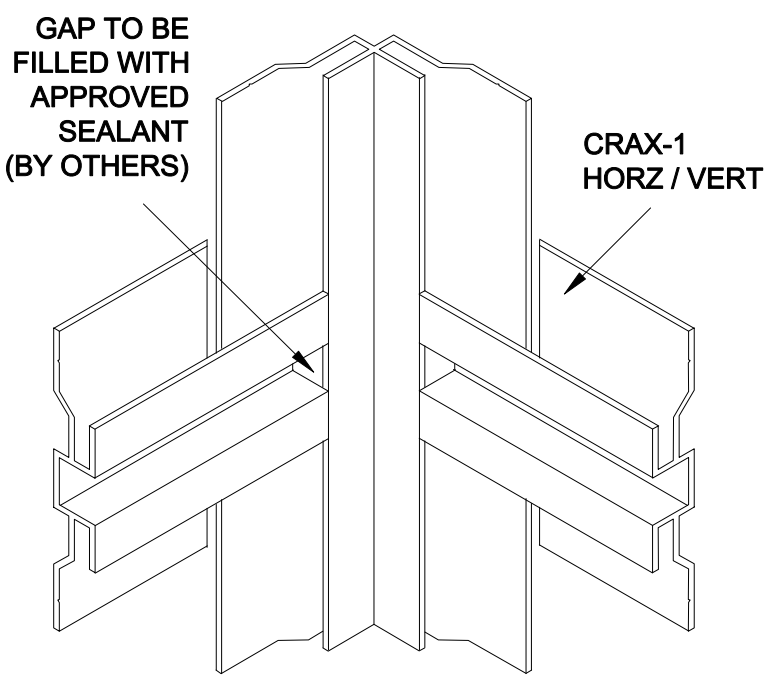


18A INSIDE CORNER, OPTION 1



18B INSIDE CORNER, OPTION 2



18C INSIDE CORNER, OPTION 3