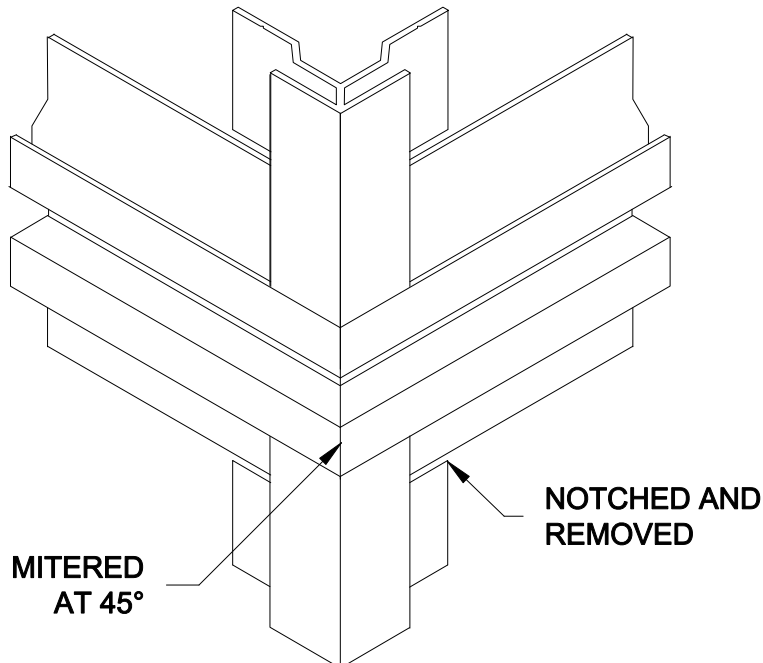


19A OUTSIDE CORNER, OPTION 1

19B OUTSIDE CORNER, OPTION 2



19C OUTSIDE CORNER, OPTION 3